



- Direct Vent Freestanding Stove
- Natural Gas or Propane
- Vent Horizontally or Vertically
- Standard Residential
- Mobile Home Approved

Tested and Listed by



OMNI-Test Laboratories, Inc.
Beaverton, Oregon
Report # 028-S-50-5
ANSI Z21.88

Featuring the  Burner

WARNING: If the information in these instructions is not followed exactly, a fire or explosion may result causing property damage, personal injury or loss of life.

- Do not store or use gasoline or other flammable vapors and liquids in the vicinity of this or any other appliance.

WHAT TO DO IF YOU SMELL GAS

- Do not try to light any appliance.
- Do not touch any electrical switch; do not use any phone in your building.
- Immediately call gas supplier from a neighbor's phone. Follow the gas supplier's instructions.
- If you cannot reach your gas supplier, call the fire department.
- Installation and service must be performed by a qualified installer, service agency or the gas supplier.

This appliance may be installed as an OEM installation in a manufactured (mobile) home and must be installed in accordance with the manufacturer's instructions and the manufactured home construction and safety standard, Title 24 CFR, Part 3280.

This appliance is only for use with the type(s) of gas indicated on the rating plate. A conversion kit is supplied with the appliance.

Sturbridge Owner's Manual

Installer: After installation give this manual to the homeowner and explain operation of this heater.

\$10.00 © Copyright 2003, T.I. Part # 100-01142

 **Travis Industries, Inc.**
10850 117th Place N.E. Kirkland, WA 98033

Introduction

We welcome you as a new owner of a Lopi Sturbridge stove. In purchasing a Sturbridge you have joined the growing ranks of concerned individuals whose selection of an energy system reflects both a concern for the environment and aesthetics. The Sturbridge is one of the finest home heaters the world over. This manual will explain the installation, operation, and maintenance of this stove. Please familiarize yourself with the Owner's Manual before operating your heater and save the manual for future reference. Included are helpful hints and suggestions that will make the operation and maintenance of your new stove an easier and more enjoyable experience. We offer our continual support and guidance to help you achieve the maximum benefit and enjoyment from your heater.

Important Information

No other Sturbridge Stove has the same serial number as yours. The serial number is on the listing plate chained to the gas control valve.

This serial number will be needed in case you require service of any type.

Model: Lopi Sturbridge Stove

Serial Number: _____

Purchase Date: _____

Purchased From: _____

Mail your Warranty Card Today, and Save Your Bill of Sale.

To receive full warranty coverage, you will need to show evidence of the date you purchased your heater. Do not mail your Bill of Sale to us.

We suggest that you attach your Bill of Sale to this page so that you will have all the information you need in one place should the need for service or information occur.

Introduction

Introduction & Important Information.....2

Safety Precautions

Safety Precautions4

Specifications

Features6
Installation Options.....6
Heating Specifications.....6
Dimensions.....6

Installation

Installation Warning.....7
Packing List.....7
Additional Items Required for Installation.....7
Installation Overview.....7
Installation Hints.....8
Stove Clearances8
Mobile Home Requirements.....8
Heater Placement Requirements.....9
Floor Protection Requirements.....9
Gas Line Installation.....10
Vent Requirements.....11
Approved Vent Configurations.....12
 Diffuser Plate Removal.....12
 Restrictor Position.....12
 Measuring Vent Lengths.....13
 Approved Vent Config's Horizontal Term.14
 Approved Vent Config's Vertical Term.....15
Vent Termination Requirements16

Finalizing the Installation

Leak Test.....17
Pilot Adjustment (if necessary).....17
Air Shutter Adjustment (if necessary).....17
Check Flame.....18
Glass Removal (& installation).....19
Log Installation.....20

Operation

Before You Begin.....21
Location of Controls21
Starting The Pilot22
Starting the Stove for the First Time.....23
Turning the Stove On and Off23
Adjusting the Flame Height.....23
Adjusting the Blower Speed (optional)24
Normal Operating Sounds.....24
Normal Operating Odors.....24

Maintenance

Maintaining Your Stove's Appearance.....25
Yearly Service Procedure.....25
Troubleshooting Table.....26
How this Stove Works.....27
 What Turns the Main Burners On and Off.....27
 What Prevents Gas Buildup.....27
Wiring Diagram28
Replacement Parts List.....28

Safety Label

Safety (Listing) Label.....29

Warranty

Warranty.....30

Optional Equipment

LP Conversion Kit31
Blower34
Fireback.....36
Stone Inserts.....37

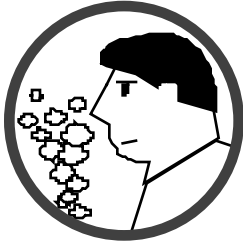
Installation Addenda

Class A Chimney Conversion.....38
Interior Masonry Chimney Conversion.....39

Index

Index.....40

Safety Precautions



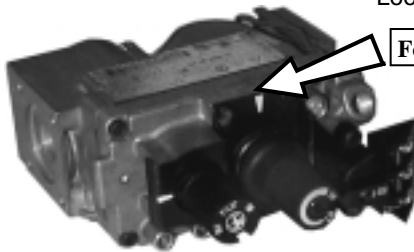
• IF YOU SMELL GAS:

- * Do not light any appliance
- * Extinguish any open flame
- * Do not touch any electrical switch or plug or unplug anything
- * Open windows and vacate building
- * Call gas supplier from neighbor's house, if not reached, call fire department



- This unit must be installed by a qualified installer to prevent the possibility of an explosion. Your dealer will know the requirements in your area and can inform you of those people considered qualified. The room heater should be inspected before use and at least annually by a qualified service person. More frequent cleaning may be required due to excessive lint from carpeting, bedding material, etc.
- The instructions in this manual must be strictly adhered to. Do not use makeshift methods or compromise in the installation. Improper installation will void the warranty and safety listing.

Look for this label:



For LPG only | Pout 11" W.C.

If the label is present, the heater is equipped for LP (propane). If the label is absent, the heater is equipped for NG (natural gas).

- This heater is either approved for natural gas (NG) or for propane (LP or LPG). Burning the incorrect fuel will void the warranty and safety listing and may cause an extreme safety hazard. Direct questions about the type of fuel used to your dealer. Check for the label shown to the right.



- Contact your local building officials to obtain a permit and information on any installation restrictions or inspection requirements in your area. Notify your insurance company of this heater as well.



- If the flame becomes sooty, dark orange in color, or extremely tall, do not operate the heater. Call your dealer and arrange for proper servicing.



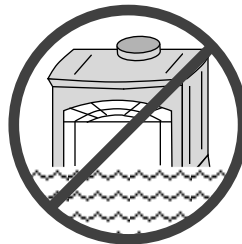
- It is imperative that control compartments, screens, or circulating air passageways of the heater be kept clean and free of obstructions. These areas provide the air necessary for safe operation.



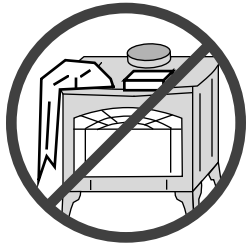
- Do not operate the heater if it is not operating properly in any fashion or if you are uncertain. Call your dealer for a full explanation of your heater and what to expect.



- Do not store or use gasoline or other flammable liquids in the vicinity of this heater.



- Do not use this appliance if any part has been under water. Immediately call a qualified service technician to inspect the appliance and to replace any part of the control system and any gas control which has been under water.



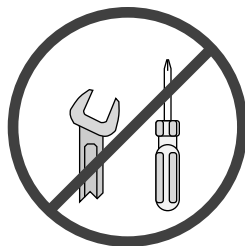
- Do not place clothing or other flammable items on or near the heater. Because this heater can be controlled by a thermostat there is a possibility of the heater turning on and igniting any items placed on or near it.



- Light the heater using the built-in piezo igniter. Do not use matches or any other external device to light your heater.
- Never remove, replace, modify or substitute any part of the heater unless



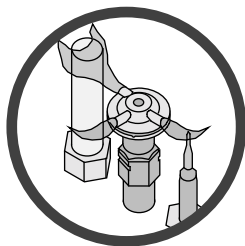
- The viewing glass should be opened only for lighting the pilot or conducting service.
- Any safety screen or guard removed for servicing must be replaced prior to operating the heater.
- Do not operate with the glass removed or damaged.



- instructions are given in this manual. All other work must be done by a trained technician. Don't modify or replace orifices.
- Allow the heater to cool before carrying out any maintenance or cleaning.



- Operate the heater according to the instructions included in this manual.
- If the main burners do not start correctly turn the gas off at the gas control valve and call your dealer for service.



- The pilot flame must contact the thermopile and thermocouple (see the illustration to the left). If it does not, turn the gas control valve to "OFF" and call your dealer.



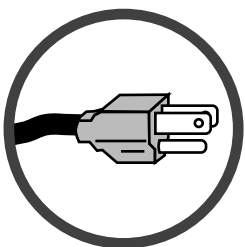
- This unit is not for use with solid fuel
- Do not place anything inside the firebox (except the included fiber logs).
- If the fiber logs become damaged, replace with Travis Industries log set.



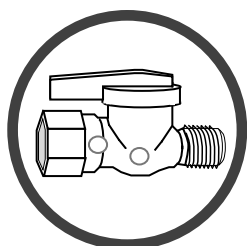
- Do not throw this manual away. This manual has important operating and maintenance instructions that you will need at a later time. Always follow the instructions in this manual.



- Do not touch the hot surfaces of the heater. Educate all children of the danger of a high-temperature heater. Young children should be supervised when they are in the same room as the heater.



- Plug the heater into a 120V grounded electrical outlet. Do not remove the grounding plug.
- Don't route the electrical cord in front of, over, or under the heater



- Instruct everyone in the house how to shut gas off to the appliance and at the gas main shutoff valve. The gas main shutoff valve is usually next to the gas meter or propane tank and requires a wrench to shut off.



- **Travis Industries, Inc. grants no warranty, implied or stated, for the installation or maintenance of your heater, and assumes no responsibility of any consequential damage(s).**

Features:

- Ember Fyre™ Burner for "Wood Fire" Look
- Works During Power Outages (millivolt system)
- High Efficiency
- Optional Thermostat or Remote Control
- Optional Blower for Quicker Heat Distribution
- Convenient Operating Controls
- Variable-Rate Heat Output
- Low Maintenance

Installation Options:

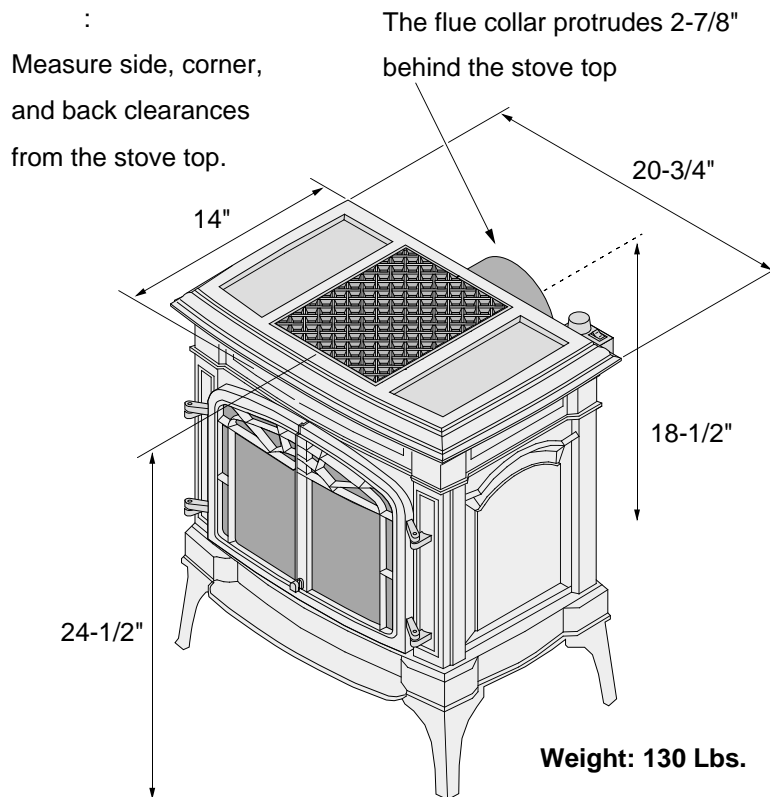
- Freestanding Stove
- Horizontal or Vertical Vent
- Residential or Mobile Home
- Straight or Corner Placement
- Bedroom Approved

Heating Specifications:

Approximate Heating Capacity (in square feet)*.....up to 850 with Blower, up to 650 Without
 Maximum Input (in BTU's)18,000
 Minimum Output On Low (in BTU's).....9,900
 Steady State Efficiency.....up to 80.1%
 AFUE (without blower)Up to 67.8%

- Heating capacity will vary depending on the home's floor plan, degree of insulation, and the outside temperature.
- ** Efficiency rating is a product of thermal efficiency rating determined under continuous operation independent of installed system.

Dimensions & Weight:



Electrical Specifications (for optional blower)

Electrical Rating.....115 Volts, 1.3 Amps, 60 Hz (150 watts on high)

Fuel:

This heater is shipped in natural gas (NG) configuration but may be converted to propane (LP) using the included LP conversion kit. The sticker on top of the gas control valve will verify the correct fuel.

Installation Warnings:

- ! Failure to follow all of the requirements may result in property damage, bodily injury, or even death.
- ! This heater must be installed by a qualified installer who has gone through a training program for the installation of direct vent gas appliances.
- ! This appliance must be installed in accordance with all local codes, if any; if not, in U.S.A. follow ANSI Z223.1 and NFPA 54(88).
- ! In Manufactured or Mobile Homes must conform with Manufactured Home Construction and Safety Standard, Title 24 CFR, Part 3280, or, when such a standard is not applicable, the Standard for Manufactured Home Installations, ANSI/NCSCS A225.1. This appliance may be installed in Manufactured Housing only after the home is site located.
- ! This stove is designed to operate on natural gas or propane (LP).
- ! All exhaust gases must be vented outside the structure of the living-area. Combustion air is drawn from outside the living-area structure.
- ! Notify your insurance company before hooking up this stove.
- ! The requirements listed below are divided into sections. All requirements must be met simultaneously. The order of installation is not rigid – the qualified installer should follow the procedure best suited for the installation.

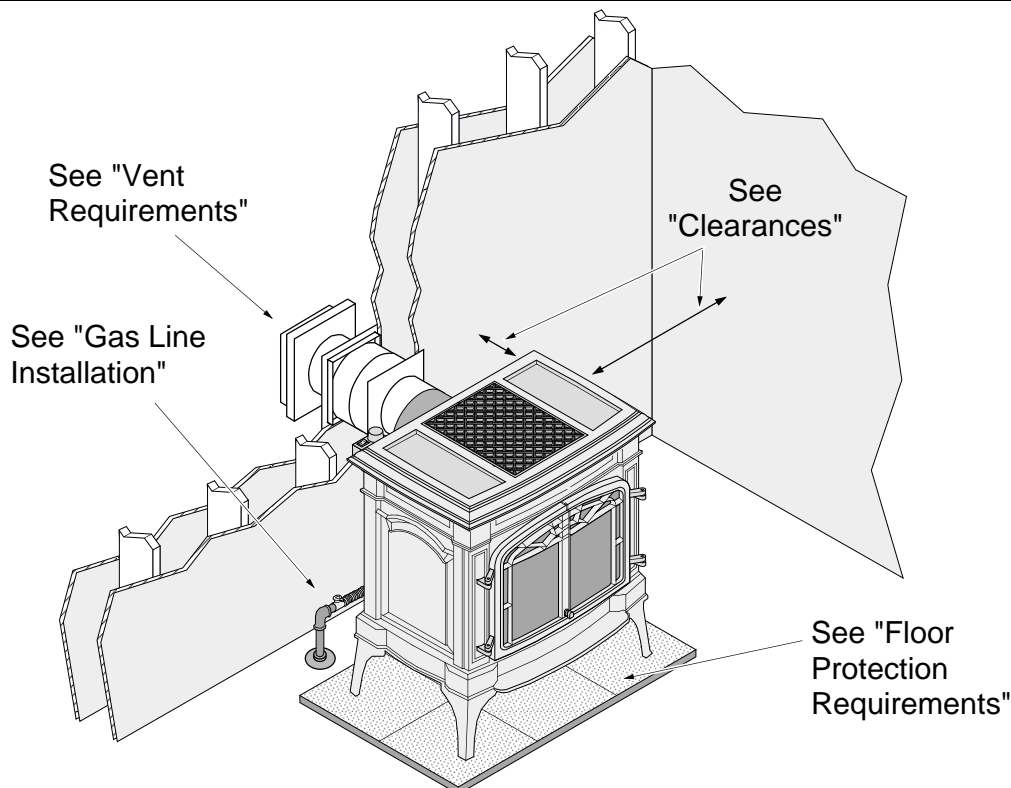
Packing List

- Propane Conversion Kit
- Log Set
- 2" Pipe, 8" Pipe, and 90° Elbow (for gas inlet)
- Door Latch Tool (to un-latch glass frame)
- Touch-Up Paint

Additional Items Required

- Vent (see "Venting Requirements" for details)
- Gas Line Equipment (shutoff valve, pipe, etc.)

Installation Overview



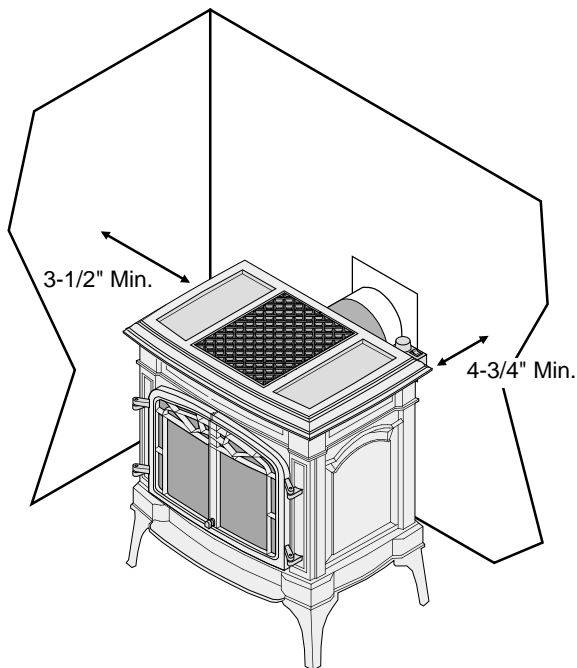


Installation Hints:

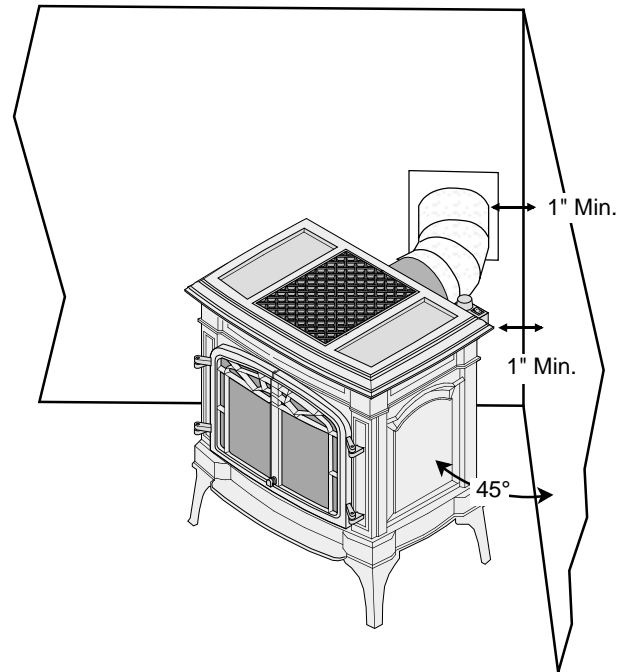
- If converting to LP, convert the appliance prior to installation.
- The blower is easiest to install prior to installation. Because the blower is located near the gas inlet location, we recommend using the included pipe and elbow to route the gas inlet around the blower position.
- Install the logs last - they are fragile.
- When determining the location of the stove, locate the wall studs (for horizontal penetrations) and ceiling trusses (for vertical penetrations). You may wish to adjust the stove position slightly to ensure the vent does not intersect with a framing member.
- Fumes and smoke from the paint curing and oil burning off the steel may occur the first time you start this heater. This is normal. We recommend you open windows to vent the room.

Stove Clearances

Straight Installations



Corner Installations



Mobile Home Requirements

- When the stove is installed in a mobile home, it must be bolted to the floor.
- When the optional blower is installed it must be connected to a properly grounded three-prong receptacle. Do not cut or remove the grounding prong from the optional blower cord.

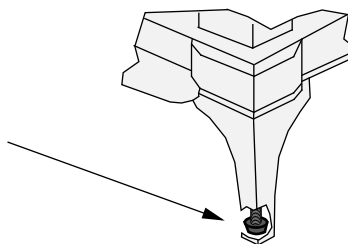
Heater Placement Requirements

- Heater must be installed on a level surface capable of supporting the heater and vent
- Due to the high temperature of the heater, it should be located out of traffic and away from furniture and draperies. Heater must be placed so no combustibles are within, or can swing within 36" of the front of the heater (e.g. drapes, doors)
- When placed in a location where the floor to ceiling height is under 7 feet, the installation is considered an alcove and must meet the following requirements:
 - The alcove floor to ceiling height must be at least 36" tall
 - The alcove must not be more than 48" deep before the ceiling returns to 7'
 - The alcove must be at least 27-3/4" wide
- The heater must not be placed so the vents below or above the door, along the sides of heater, or along the back of the heater can become blocked.
- This heater may be placed in a bedroom. Please be aware of the large amount of heat this appliance produces when determining a location.

Floor Protection Requirements

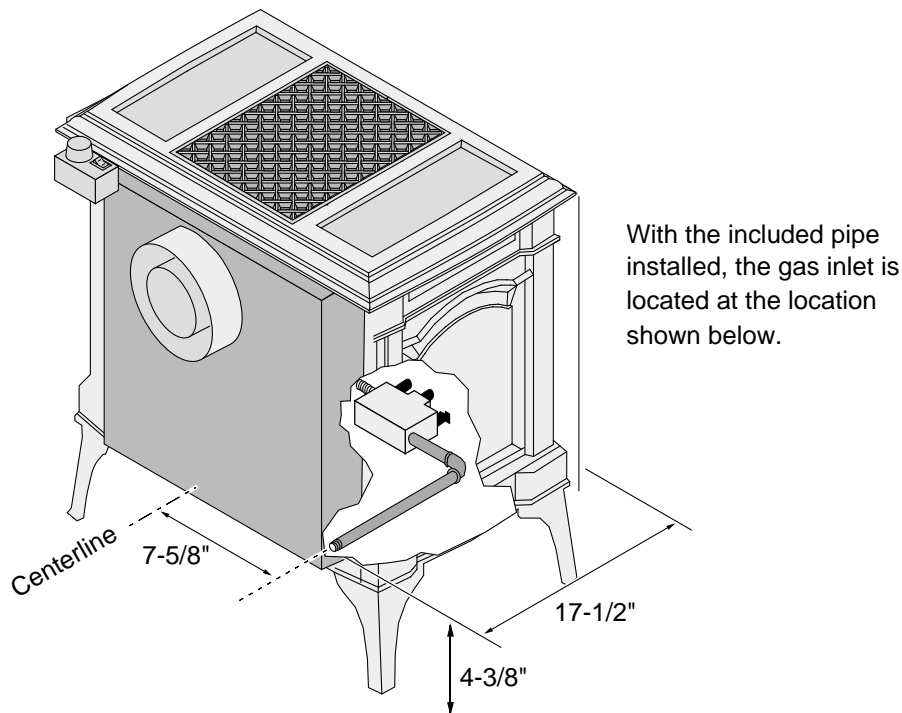
- When the stove is installed directly on carpeting, vinyl or other combustible material other than wood flooring or a high pressure laminate wood floor, the stove must be installed on a metal or wood protection panel extending the full width and depth of the stove top (Minimum 20-3/4" wide by 14" deep).

Make sure these rubber tipped bolts on each leg contact the floor (they dampen any noise that may transmit through the hearth). Do not adjust with weight on the legs, the rubber tips may tear.



Gas Line Installation

- ! The gas line must be installed in accordance with all local codes, if any; if not, follow current ANSI Z223.1 or NFPA 54.
- ! The heater and gas control valve must be disconnected from the gas supply piping during any pressure testing of that system at test pressures in excess of 1/2 psig (3.45 kPa). For pressures under 1/2 psig (3.45 kPa), isolate the gas supply piping by closing the manual shutoff valve.
- This heater is designed for natural gas but can be converted to propane. Check the sticker on top of the gas control valve to verify the correct fuel is used (see page 4).
- Leak test all gas line joints and the gas control valve prior to and after starting the heater.
- The gas inlet accepts a 3/8" F.P.T. Fitting
- The location of the gas inlet is shown below
- A manual shutoff valve is required for installation (it must be located within 3' of the heater). T-Handle gas cocks are required in Massachusetts in compliance with code 248CMR.
- Installation must be performed by a qualified installer, service agency or the gas supplier (In Massachusetts a licensed plumber/gasfitter).



Gas Inlet Pressure

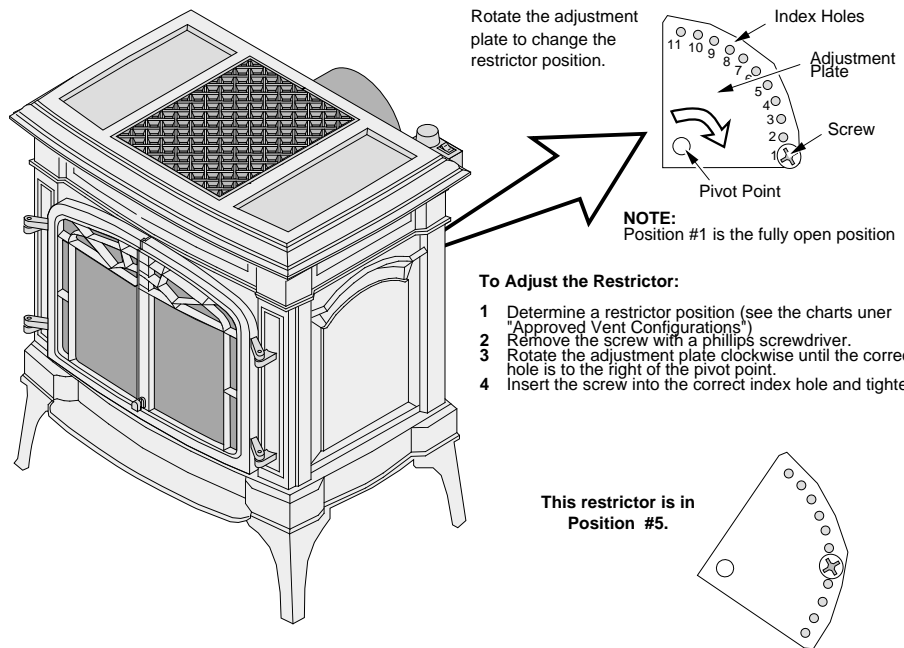
- With the heater off, the inlet pressure must meet the requirements listed in the table below
- If the pressure is not sufficient, make sure the piping used is large enough and the total gas load for the residence does not exceed the amount supplied.
- The supply regulator (the regulator that attaches directly to the residence inlet or to the propane tank) should supply gas at the suggested input pressure listed below. Contact the local gas supplier if the regulator is at an improper pressure.

	Standard Input Pressure
Natural Gas	7" W.C. (1.74 Kpa)
Propane	13" W.C. (3.23 Kpa)

Approved Vent Configurations

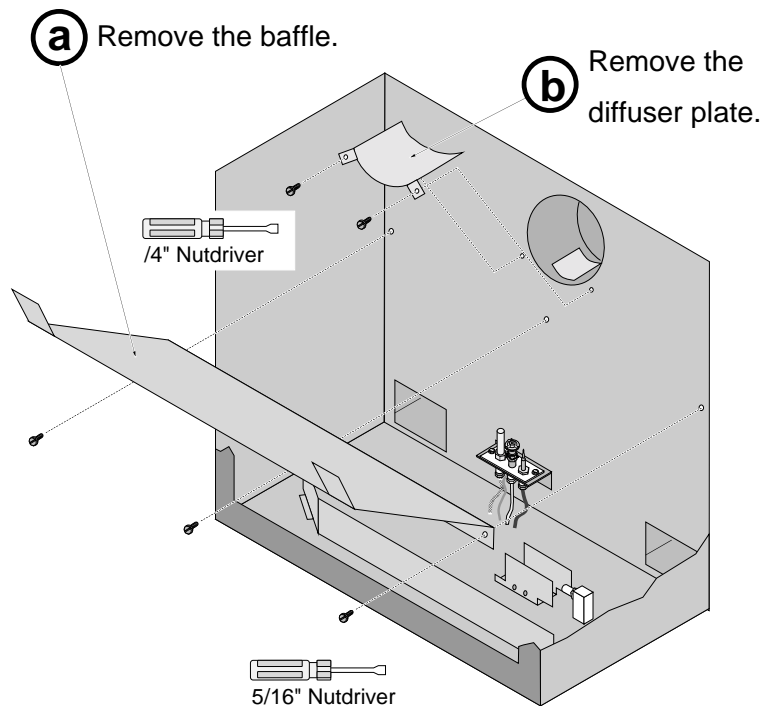
Restrictor Position

- A restrictor is built into the appliance to control the flow rate of exhaust gases. This ensures proper flames for the wide variety of vent configurations. Depending upon the vent configuration, you may be required to adjust the restrictor position. The charts for approved vent configurations describe which position the vent restrictor must be in.



Diffuser Plate Removal

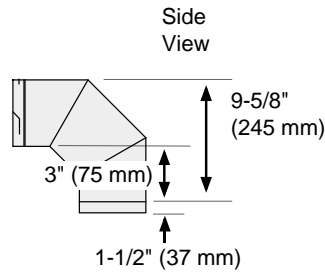
- Certain vent configurations require the diffuser plate to be removed. It is located in the firebox, behind a baffle above the burner. Refer to the charts for approved vent configurations to determine if the diffuser plate requires removal.



- (c)** Replace the screws for the diffuser plate to seal the holes in the firebox.
- (d)** Replace the baffle.

Measuring Vent Lengths

Elbows add 3" (75 mm) to the length of the vent system.

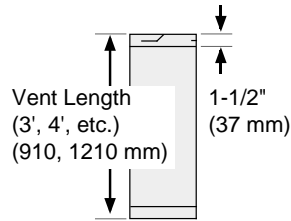


Vent Height is calculated to the top of the vent on horizontal terminations and to the top of the termination on vertical terminations.

Vent Horizontal Run (measure from the closest edge of the starter section to the end of the termination)

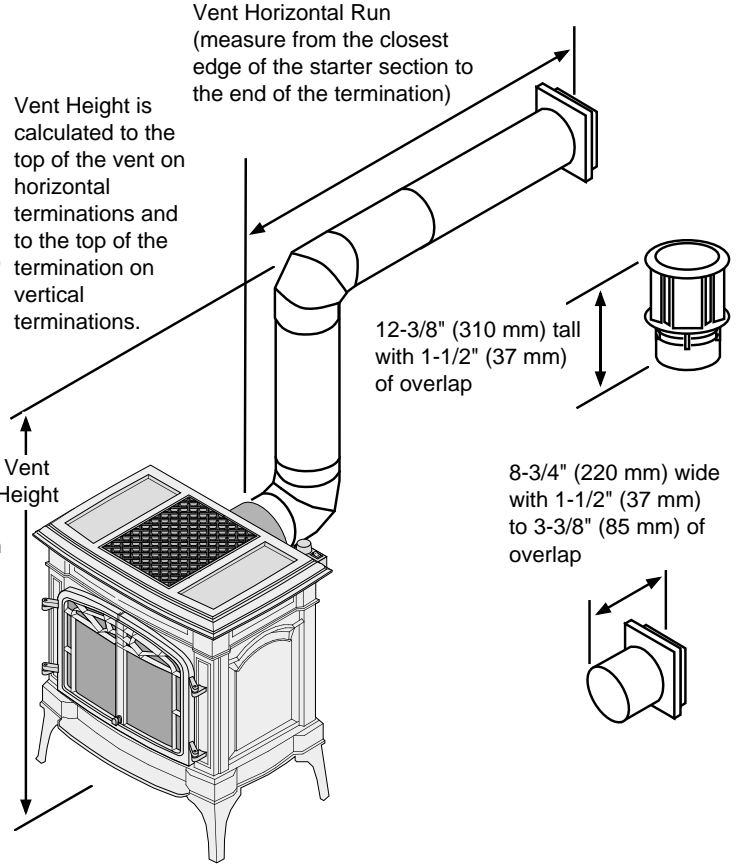
Vent Height

Vent sections overlap each other by 1-1/2" (37 mm)



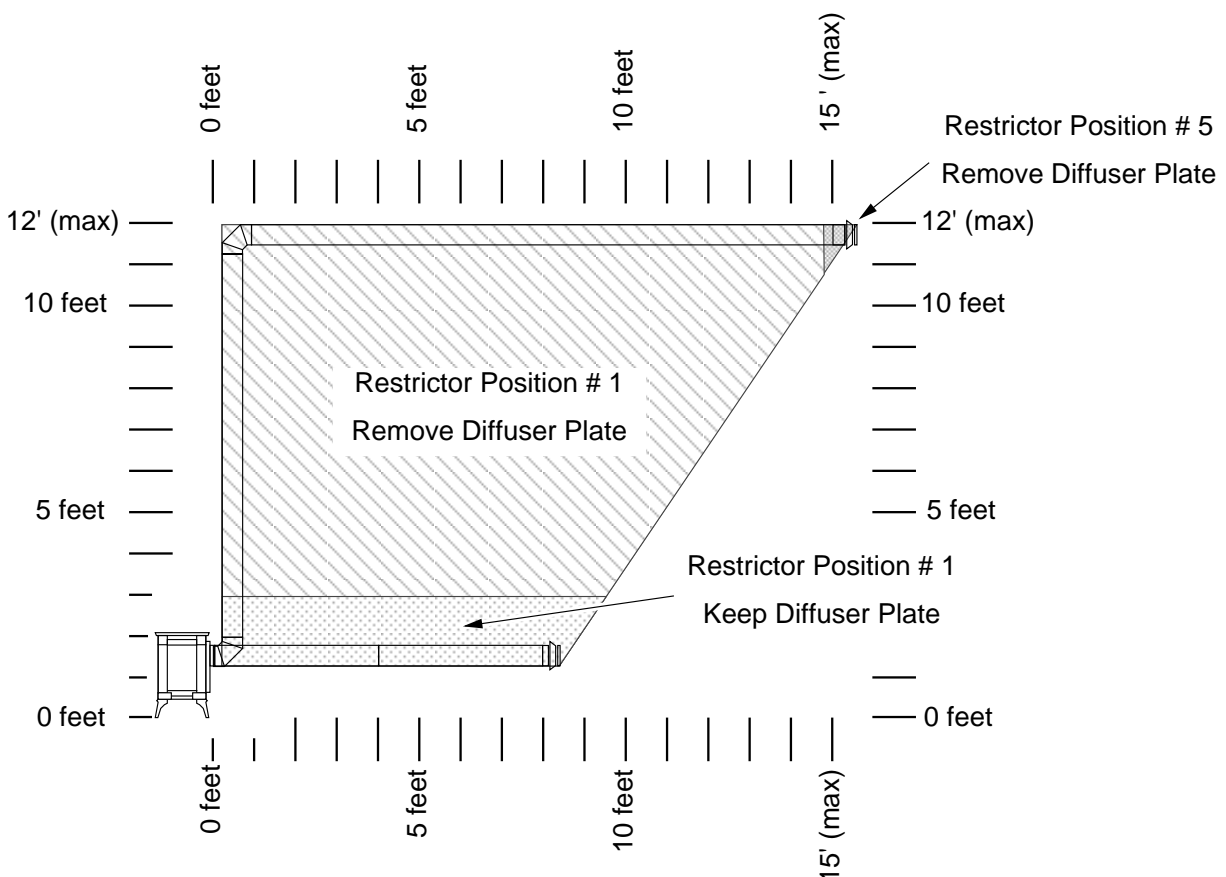
12-3/8" (310 mm) tall with 1-1/2" (37 mm) of overlap

8-3/4" (220 mm) wide with 1-1/2" (37 mm) to 3-3/8" (85 mm) of overlap



Approved Venting Configurations for Horizontal Terminations

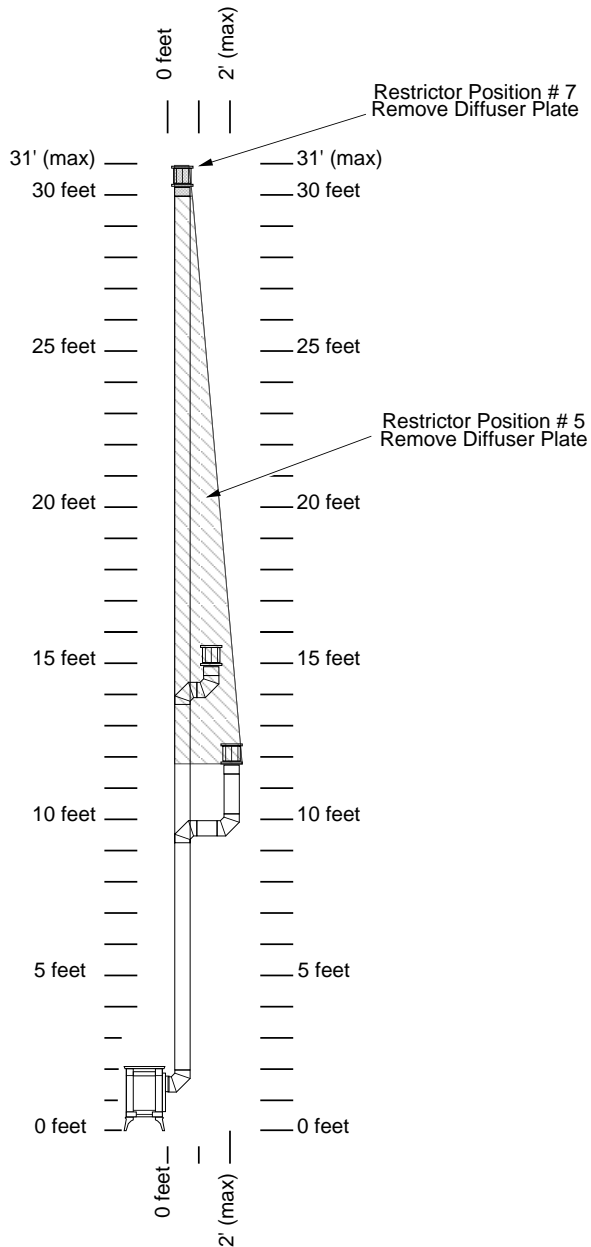
- 12' Maximum System Height
- 15' Maximum Offset
- The termination must fall within the shaded area shown in the chart. Use the indicated restrictor position.
- One 45° elbow may be used. It must be positioned horizontally (connecting one horizontal section or starter section to a horizontal section).
- If using a Snorkel Termination (14" or 36") add the snorkel height to the vertical height (snorkel terminations are used primarily for basement installations).



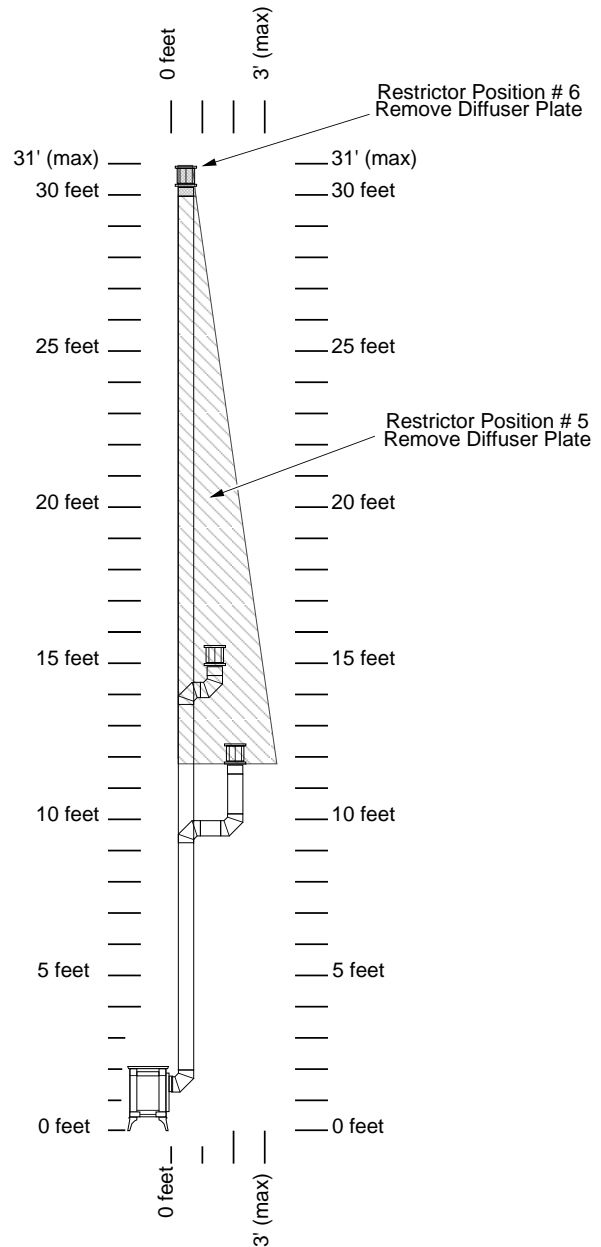
Approved Venting Configurations with a Vertical Termination

- Remove the diffuser plate (see “Diffuser Plate Removal” on page 12)
- Maximum 31’ Rise
- 2’ Maximum Run for Natural Gas, 3’ Maximum Run for Propane (LP)
- The termination must fall within the shaded area shown in the chart. Use the indicated restrictor position.

Natural Gas



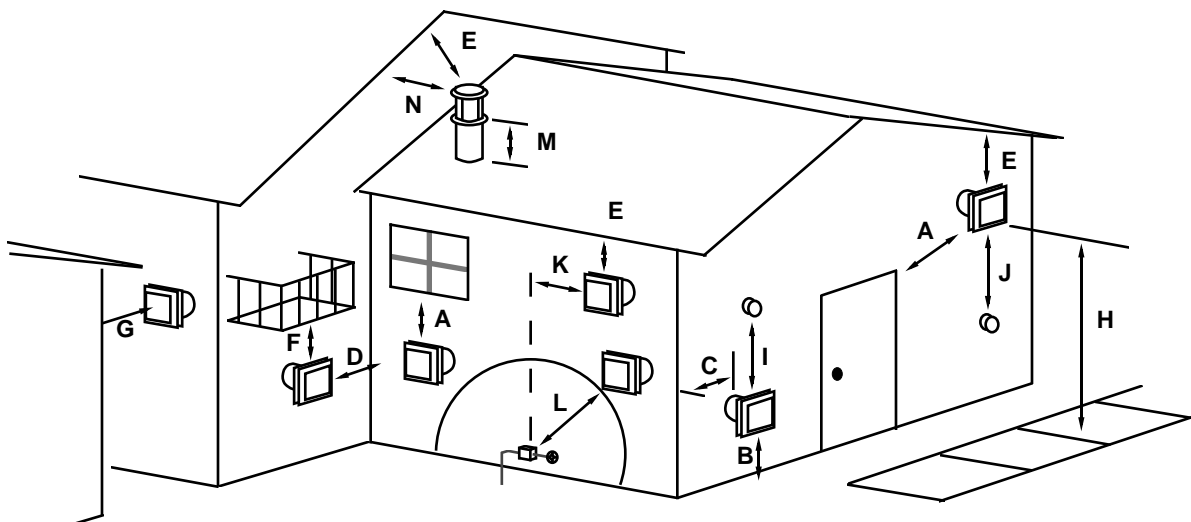
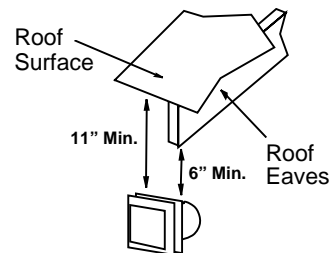
Propane (LP)



Vent Termination Requirements (see illustration below)

! Venting terminals shall not be recessed into a wall or siding.

- A Minimum 9" clearance from any door or window
- B Minimum 12" above any grade, veranda, porch, deck or balcony
- C Minimum 12" from outside corner walls
- D Minimum 12" from inside corner walls
- E Minimum 11" clearance below unventilated soffits or roof surfaces
Minimum 18" clearance below ventilated soffits
Minimum 6" clearance from roof eaves
- NOTE:** Vinyl surfaces require 24"
- F Minimum 18" clearance below a veranda, porch, deck or balcony (must have two open sides)
- G Minimum 48" clearance from any adjacent building
- H Minimum 84" clearance above any grade when adjacent to public walkways or driveways
NOTE: may not be used over a walkway or driveway shared by an adjacent building
- I Minimum 48" clearance from any mechanical air supply inlet
- J Minimum 36" clearance above and 48" below and to the sides of non-mechanical air supply inlet
- K Minimum 36" from the area above the meter/regulator (vent outlet)
- L Minimum 36" from the meter/regulator (vent outlet)
- M Minimum 12" above the roof line (for vertical terminations)
- N Minimum 24" horizontal clearance to any surface (such as an exterior wall) – for vertical terminations



NOTE: Measure clearances to the nearest edge of the exhaust hood.

- Use the vinyl siding standoff (#1250) when installing on an exterior with vinyl siding.
- Vent termination must not be located where it will become plugged by snow or other material
- These clearances meet UMC-1994 and the CNA/CGA-B149 code standards.

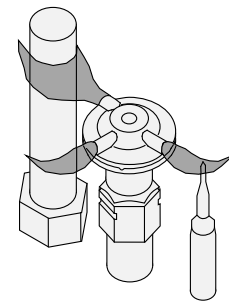
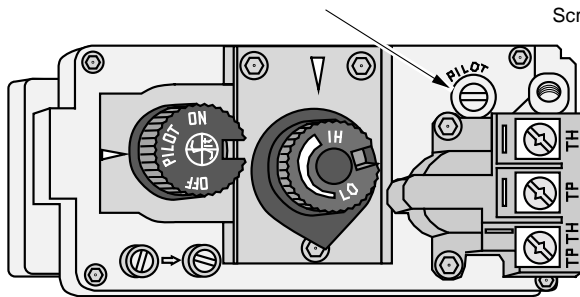
Finalizing the Installation

- ! Make sure the gas control valve is "OFF" and the heater is cool prior to conducting service.
- 1 Remove the glass (see page 19)
- 2 Install the log set and coals (see page 20).
- ! We recommend you purge the gas line at this time (with the glass removed). This allows gas to be detected once it enters the firebox, ensuring gas does not build up.
- 3 Replace and secure the glass (see page 19)
- 4 Turn on gas to the heater. Leak test all gas joints prior to starting the appliance. Start the pilot. Start the main burner. Leak test all gas joints again.
- 5 Check the pilot flame to make sure it looks like the illustration below. Adjust the pilot flame if necessary.

To adjust the pilot flame, turn this screw (NOTE: if totally unscrewed gas will come out of this port). Clockwise lowers the flame while counter-clockwise raises it.



The pilot flame must contact the thermocouple and thermopile (see the illustration below). Adjust the pilot up or down as necessary.

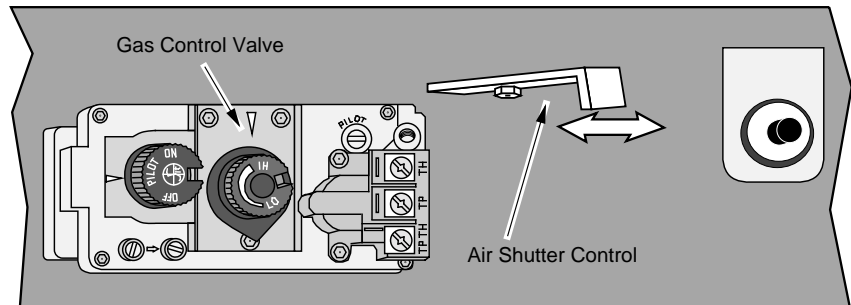


- 6 Let the heater burn for thirty minutes. Adjust the air shutter, if necessary, to achieve the correct looking flame (see the illustration below).
- The air shutter adjusts the amount of air that mixes with the gas before it exits the burner holes. It is used to fine-tune the flame for differences in altitude and vent configuration.

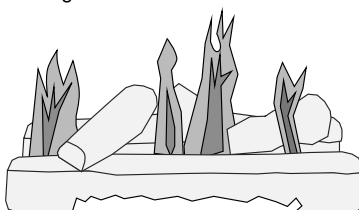
ADJUSTING THE AIR SHUTTER

Pushing to the left gives the flame less air (making it more orange). Pushing to the right gives the flame more air, making it more blue. For fine adjustments use a screwdriver to tap the air shutter.

NOTE: If the air shutter is all the way open, yet the flames remain sooty, shut off gas to the fireplace and contact a qualified gas service technician.

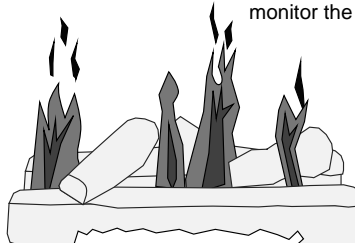


NOTE: The logs must be installed correctly to monitor the flame while adjusting the air shutter.



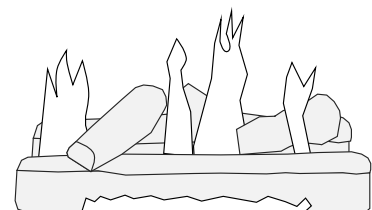
Correct

Flames should be blue at the base, yellow-orange on the top.



Not Enough Air

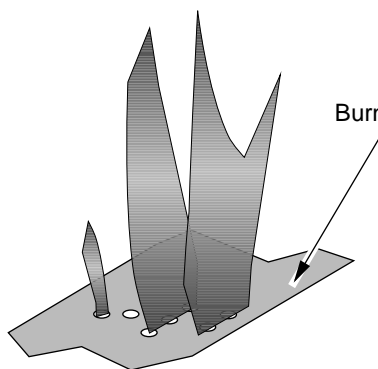
If the flames are too tall or sooty on the ends, open the air shutter.



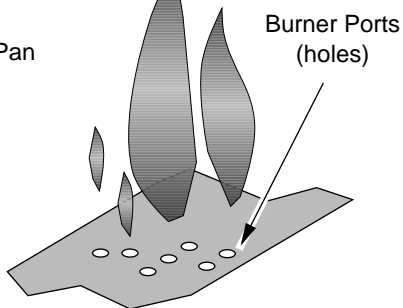
Too Much Air

If the flames are all blue and short, close the air shutter.

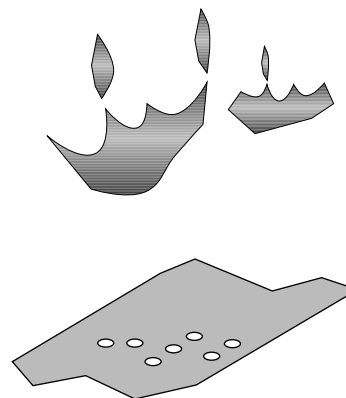
- ! If the vent configuration is installed incorrectly the vent may cause the flames inside the heater to lift or “ghost” – a dangerous situation. Inspect the flames after installation to insure proper performance. If the vent configuration is correct, yet the flames are lifting or ghosting, shut off gas to the heater and contact the dealer for information on remedying the problem.
- ! Failure to properly adjust the air shutter may lead to improper combustion and a safety hazard. Consult your dealer or installer if you suspect an improperly



The flames should burn right off the top of the burner ports (if they are too blue, adjust the air control).



If the flames are lifting, yet the vent configuration is correct, contact your dealer.

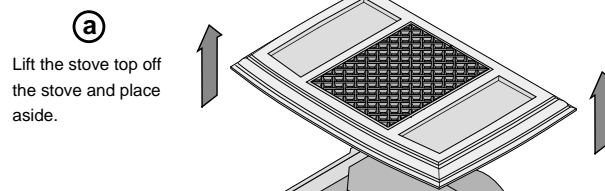


If the flames are ghosting, yet the vent configuration is correct, contact your dealer.

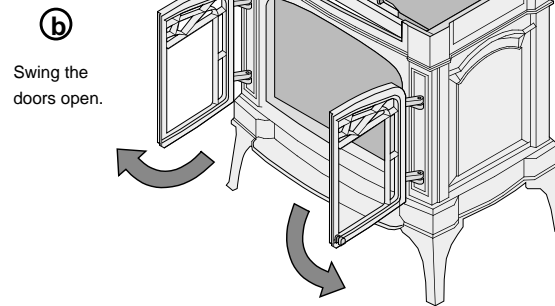
- 7 Turn the flame adjust knob to its highest position - the flames should be tall enough, but not touching the top of the firebox. Check the flame on low position. The flames should burn off of each burner hole. If the heater does not work correctly, contact your dealer for a remedy.
- 8 **Give this manual to the home owner and fully explain the operation of this heater.**

Glass Removal

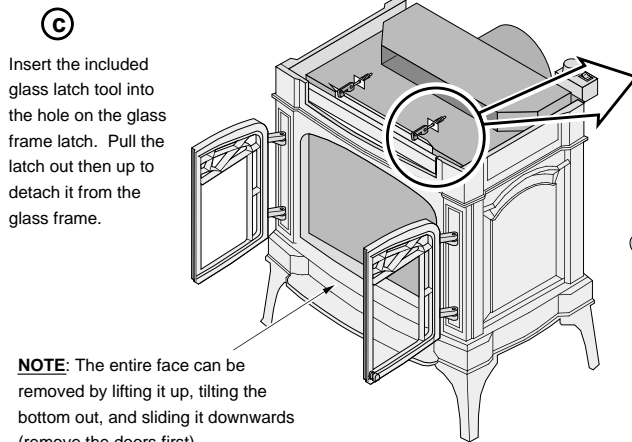
! Make sure the gas control valve is "OFF" and the heater is cool prior to conducting service.



Lift the stove top off the stove and place aside.

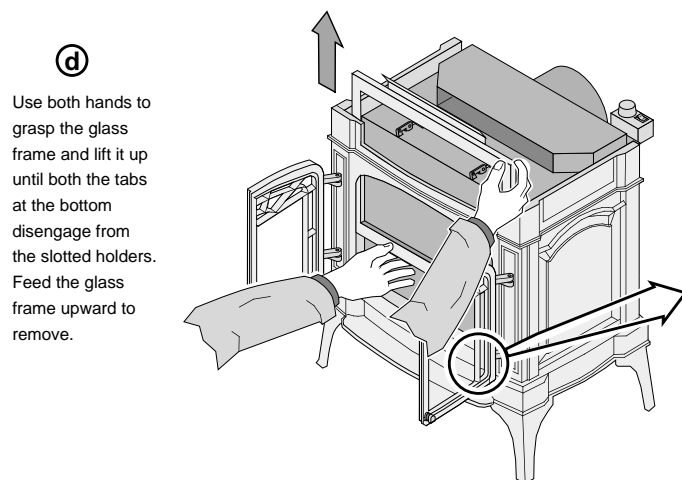


Swing the doors open.



Insert the included glass latch tool into the hole on the glass frame latch. Pull the latch out then up to detach it from the glass frame.

NOTE: The entire face can be removed by lifting it up, tilting the bottom out, and sliding it downwards (remove the doors first).



Use both hands to grasp the glass frame and lift it up until both the tabs at the bottom disengage from the slotted holders. Feed the glass frame upward to remove.

e

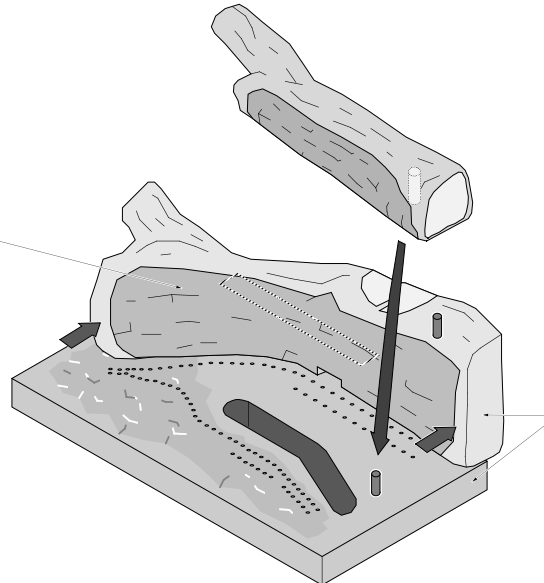
When re-installing the glass, make sure the tabs on the glass frame assembly insert into the brackets on the stove.

20 Finalizing the Installation (for qualified installers only)

Log Installation

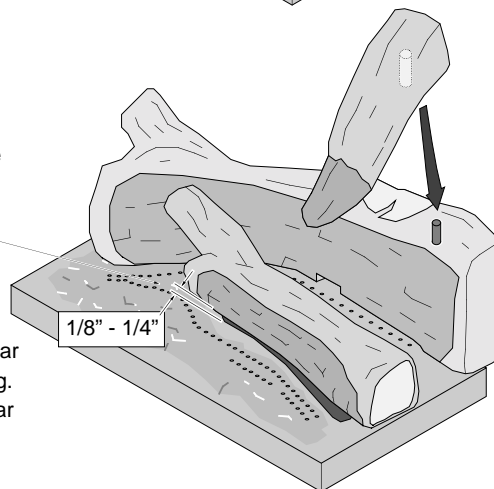
- ! Make sure the gas control valve is "OFF" and the heater is cool prior to conducting service.
- ! Failure to position the parts in accordance with these diagrams or failure to use only parts specifically approved with this appliance may result in property damage or personal injury.

Place the rear log so it rests against the ledge on the back wall of the firebox. Push on the outer edges to insure it sits up straight. Note how it does not cover any of the burner holes.



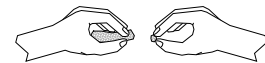
Align the edge of the log with the edge of the burner.

NOTE: Rotate the front log so there is a 1/8" to 1/4" gap along the front of the log



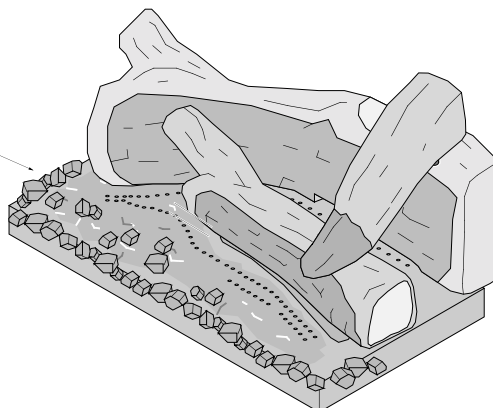
Place the twig so the pin on the rear log inserts into the hole on the twig. NOTE: you may need to tilt the rear log forward to insert the pin.

Installing the Rock Wool:



The rock wool comes in one clump. Tear off "dime" sized clumps and flatten. Then pull on the wool to create gauze-like pieces. Place them near some of the burner holes. The wool glows best when very thin and porous.

Place the embers over the front and side edges of the burner in a random pattern (do not place them over the burner holes).



Front View of Logs

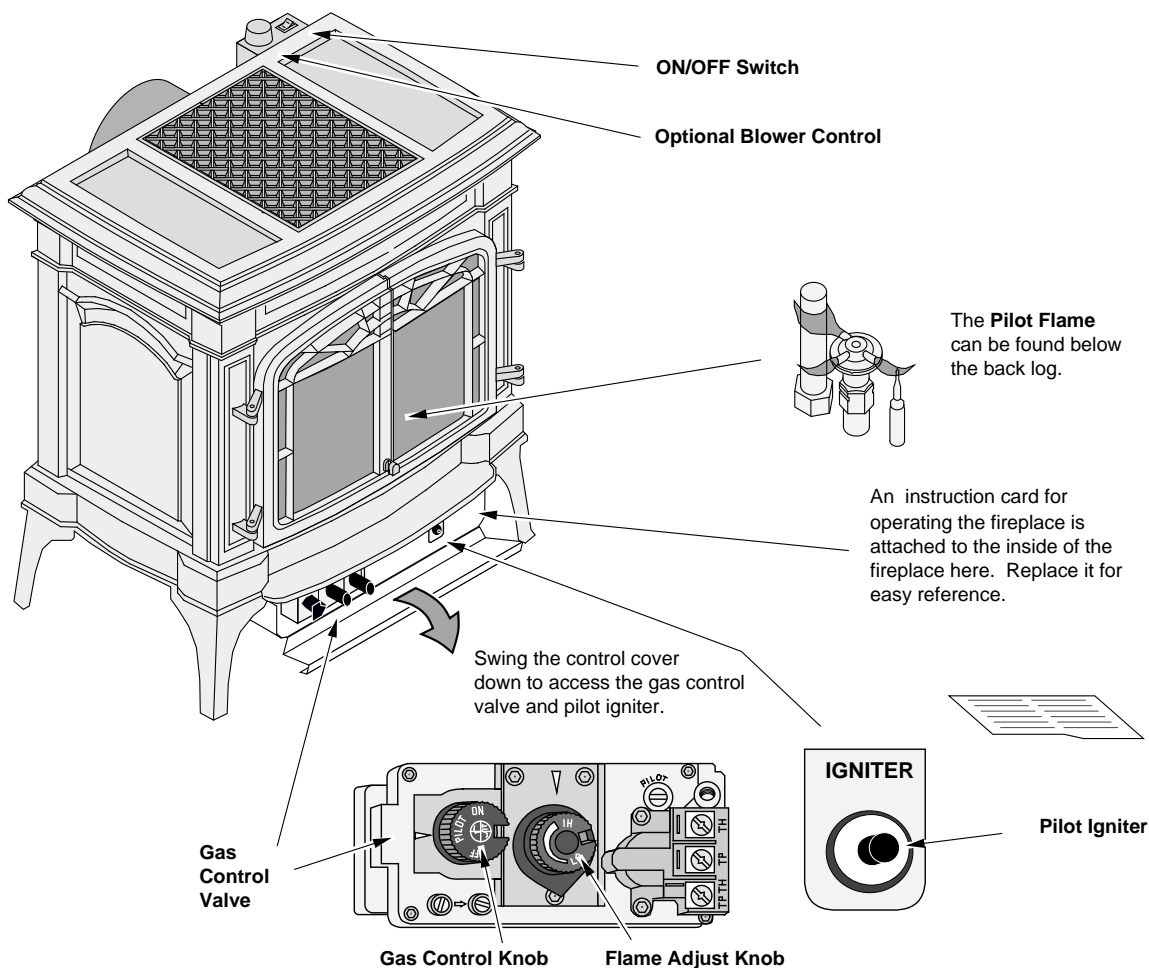


Before You Begin

Warning: Read this entire manual before you use your new stove (especially the section "Safety Precautions" on pages 4 & 5). Failure to follow the instructions may result in property damage, bodily injury, or even death.

Warning: Do not operate appliance with the glass front removed, cracked or broken. Replacement of the glass should be done by a licensed or qualified service person.

Location of Controls - See explanation below



- On/Off Switch** This control is used to turn the flame on and off.
- Optional Blower Control** This knob controls the speed of the internal convection blower that pushes heated air into the room.
- Gas Control Knob** This knob controls gas to the stove and pilot. There are three positions: ON, OFF, and PILOT. The indicator line is to the left of the knob.
- Flame Adjust Knob** This knob controls the flame height from low ("LO") to high ("HI"). The indicator line is above the knob.
- Pilot Igniter** The pilot igniter is used only to start the pilot. When pressed, it sends an electrical charge to the pilot assembly. This creates a blue spark directly next to the pilot, igniting the pilot flame.

- If using a remote control or thermostat, the On/Off Switch must be left "OFF". Turning the On/Off Switch "ON" will keep the stove on always.

Starting The Pilot Flame

The pilot flame is required to ignite the main burners (it also plays a safety role). It should be left on once lit. It will stay lit unless the gas control valve is turned to "OFF". However, the pilot will go out if the gas is shut off, the propane tank runs out (or low) or if the stove malfunctions. If the pilot turns off frequently, call your dealer for information. To start the pilot follow the directions below:

WARNING:

When lighting or re-lighting the pilot, the glass must be removed (see page 19).

- Remove the glass (see page 19 for details).
- Push the gas control knob in slightly and turn it to the "OFF" position. The knob will not turn from "ON" to "OFF" unless the knob is depressed slightly. Wait five minutes to let any gas that may have accumulated inside the firebox escape. If you smell leaking gas, follow the directions on the cover "IF YOU SMELL GAS".
- Turn the gas control knob to the "PILOT" position and press the knob in, this will allow gas to flow to the pilot light. Press the button on the pilot igniter repeatedly until you see the pilot light.

WARNING:

If the pilot does not light after 15 seconds, release the knob and call your dealer for service. Do not attempt to light pilot until service has been performed.

NOTE:

You may wish to remove the log set to gain a better view of the pilot (see page 20).

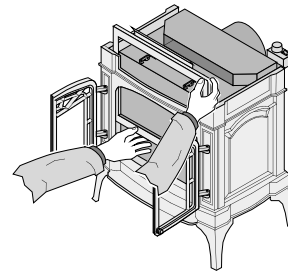
- Keep the gas control knob depressed for 30 seconds once it is lit.
- Release the gas control knob. If the pilot goes out, repeat step C. If the pilot refuses to stay lit, call your dealer for service. With the pilot lit, proceed to step "f".

NOTE:

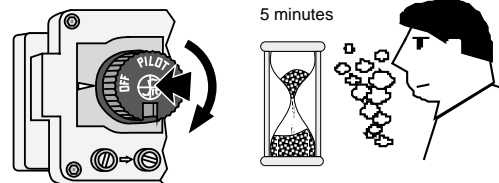
If the gas control knob is turned to "OFF" after the pilot has been lit for several seconds, the knob will not turn. This safety feature prevents gas from entering the firebox.

- Replace the glass.
- Turn the gas control knob counter-clockwise to "ON". The pilot is now lit and the heater can be turned on and off.

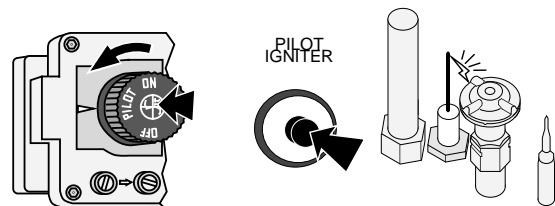
a



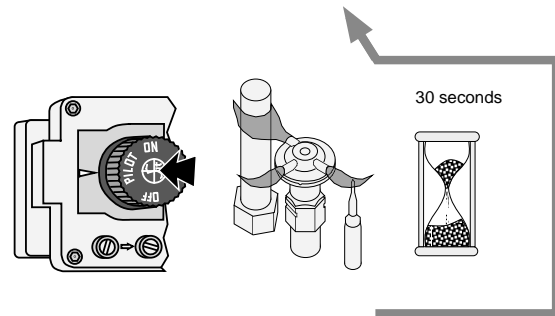
b



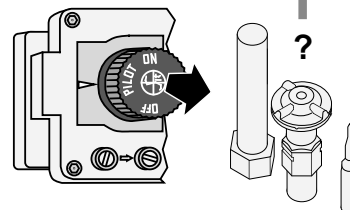
c



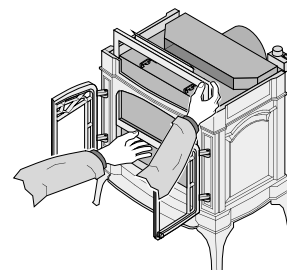
d



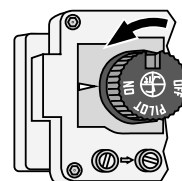
e



f



g



Starting the Stove for the First Time

Fumes from the Painted Surfaces Curing

Burn the heater at a medium setting for approximately one hour the first time. This will cure the painted surfaces. **Fumes** from the paint curing and oil burning off the steel may occur. This is normal. We recommend you open the window to vent the room.

Condensation

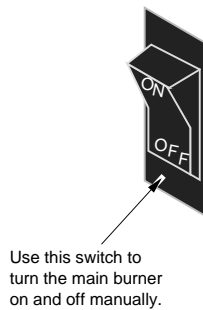
Water may appear on the glass each time you start the heater - this is normal.

Blue Flames

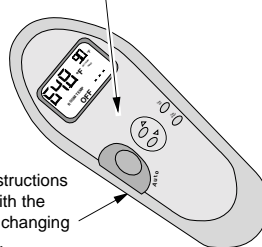
The flames will be blue when first started. After fifteen minutes the flames will turn a more realistic yellow and orange color.

Turning the Stove On and Off

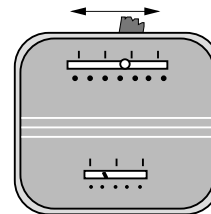
After the pilot has been started...



See the instructions included with the remote for details on operation.



For systems with wall thermostats, use this switch to control the temperature (right is hotter, left cooler). Some systems require the on/off switch to be on.

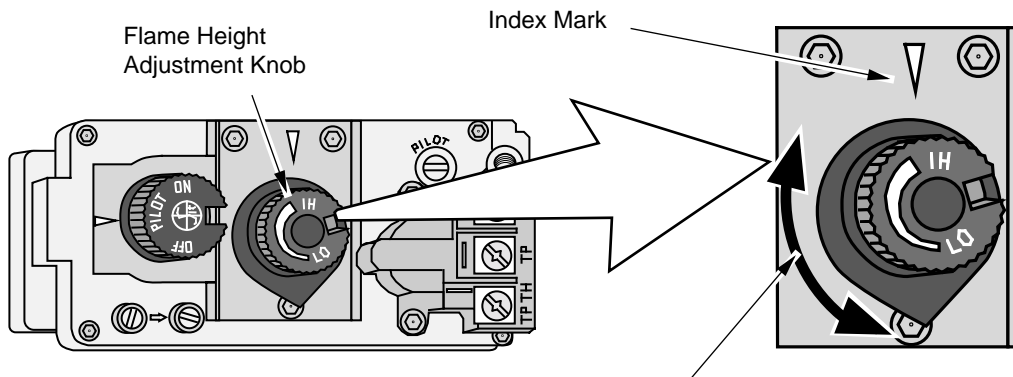


Warning: Do not place combustible items on top or directly in front of the heater, even temporarily. The optional thermostat may start the heater causing a combustible item to ignite.

Note: If the heater turns on and off frequently while using the thermostat, you may want to adjust the flame height down until it produces just enough heat needed.

Adjusting the Flame Height

+ Your stove has an adjustable flame to tailor the look and heat output to your specific needs. It is adjusted by turning the middle dial on the gas control valve.



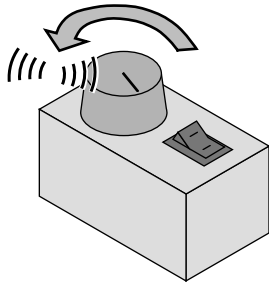
Turn counter-clockwise to adjust the flame higher, clockwise to lower.

Adjusting the Blower Speed (optional)

The blower helps transfer the heat from the heater into the room. It will not turn on until the heater is up to temperature (approximately 10 minutes after starting). See the illustration below for instructions on adjusting the blower speed.

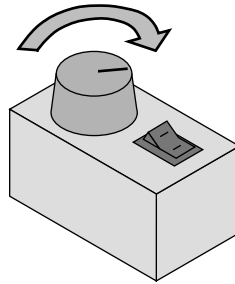
OFF

Turn the dial all the way counter-clockwise until it clicks off.



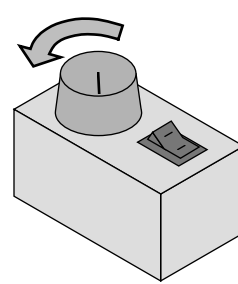
HIGH

The high position is all the way clockwise.

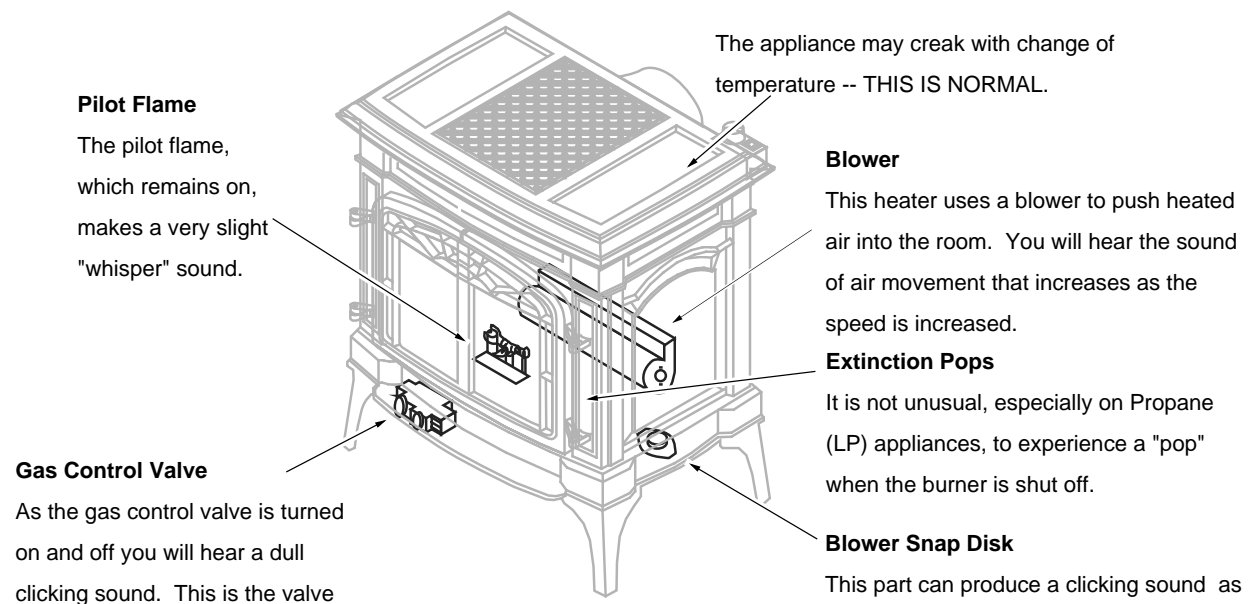


LOW

Turn the dial all the way counter-clockwise, **without** clicking off.



Normal Operating Sounds



Normal Operating Odors

This appliance has several areas that reach high temperatures. Dust or other particles on these areas may burn and create an odor. This is normal during start-up. You may notice the smell is more acute if the appliance was left idle for a long period.

Maintaining Your Stove's Appearance

Painted Surfaces

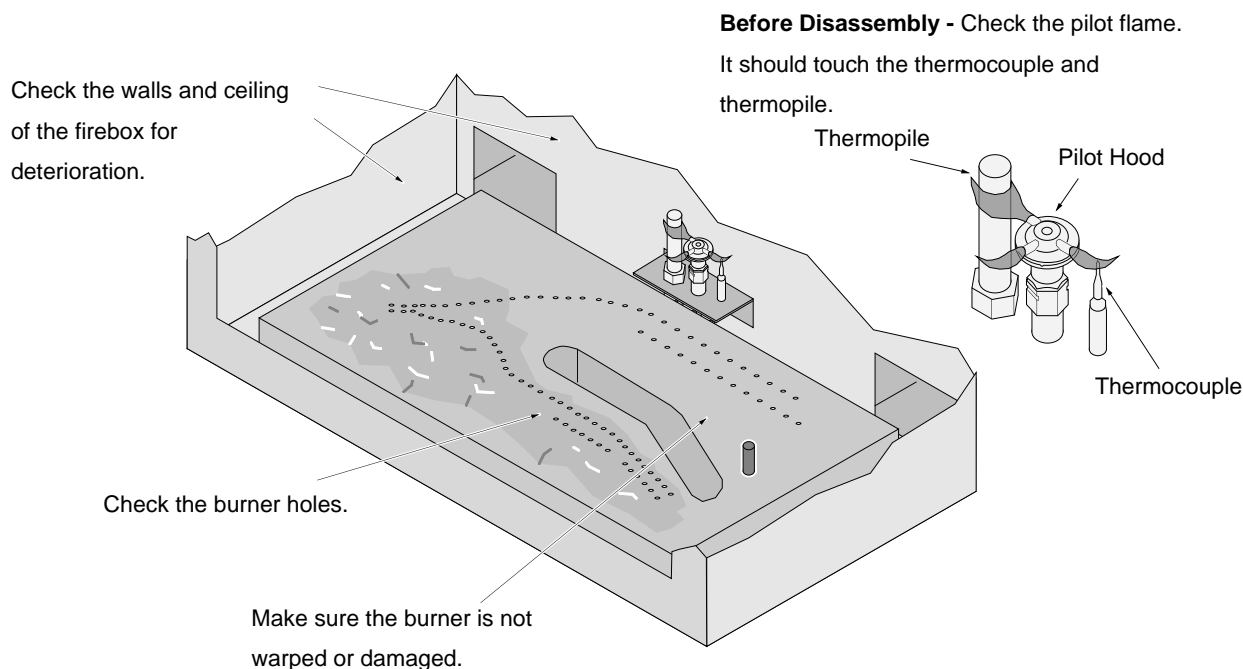
- Painted surfaces should be cleaned with a duster (make sure the stove is cool). If scratches occur, lightly sand the area with fine sandpaper. Clean the area and, with the stove cool, apply one or two thin coats of stove paint to the area (mask the area to avoid overspray). Allow the stove to dry, then turn the stove on to cure the paint (1 hour on medium).

Glass

- With the stove cool, clean the glass with soap and water (do not use abrasive cleaners). To remove the glass, follow the instructions on page 19.

Yearly Service Procedure

- ! Failure to inspect and maintain the stove may lead to improper combustion and a potentially dangerous situation. The following procedures must be done by a qualified technician.
- 1 Check the pilot flame. It should touch approximately 3/8" of the top of the thermopile and touch the top of the thermocouple (see illustration below). If it does not, contact your dealer for service.
 - 2 Shut off gas to the stove by turning the gas control knob to "OFF" (see step A under "Starting the Pilot" on page 22). Let the stove cool for 15 minutes. Remove the glass (see page 19).
 - 3 Remove the log set (**NOTE: the logs are very fragile** - see page 20). If severely deteriorated, replace. Check the logs for sooting. A small amount of soot along the bottom of the logs is normal. If excessive sooting is found, the stove will require adjustment. Contact your dealer.
 - 4 Inspect the firebox for the following:
 - Check the burner for cracked, plugged, or deteriorated holes.
 - Check the firebox and area around the pilot to make sure there is no warping or damage.
 - If any problem is found, discontinue use and contact your dealer for service.



- 5 Replace the log set. Replace the glass (if the glass is damaged, replace it). Make sure the gasket along the perimeter of the glass contacts the face of the firebox and forms an air-tight seal. If it does not, re-align or replace the gasket to insure an air-tight seal. Replace the glass.
- 6 Inspect the area behind the access door. Clean if necessary. Check the gas control valve and the gas lines. If any damage is found, discontinue use and contact your dealer for service. Clean the air channels and ducts.
- 7 Follow the instructions for starting the pilot and turn on the main burner. The flames should be orange/yellow and not sooty. If the pilot or main burners do not burn correctly, contact your dealer for service.
- 8 Inspect the vent section. Damaged sections should be replaced. Remove any debris or vegetation near the vent termination. Contact your dealer if any sooting or deterioration is found near the vent termination.

Troubleshooting Table

Problem:	Possible Cause:	Don't Call for Service Until You:
Pilot Will Not Light	A gas shut off valve is turned off _____ The gas control knob isn't turned to "PILOT" _____ The valve control knob isn't pushed in _____ The igniter wasn't pressed repeatedly _____ No Propane in Tank _____	Check all gas shut off valves See "Starting the Pilot Light" Step C See "Starting the Pilot Light" Step C See "Starting the Pilot Light" Step C Check Tank Level
Main Burners Will Not Start	The pilot light has gone out _____ The gas control valve is turned to "PILOT" or "OFF" _____ The ON/OFF switch is turned to "OFF" _____ The remote control is not working correctly _____ The thermostat is set too low _____	See "Starting the Pilot Light" See "Starting the Pilot Light" Turn the ON/OFF switch to "ON" See the remote control instructions Set thermostat to higher temperature
Remote Control Does Not Work	The pilot light has gone out _____ The gas control valve is turned to "PILOT" or "OFF" _____ ON/OFF switch is turned to "ON" (stove stays on), _____ The remote is too far away from the stove _____ The remote control receiver is turned "Off" _____ One of the two remote control batteries is dead _____	See "Starting the Pilot Light" See "Starting the Pilot Light" Turn the ON/OFF switch to "OFF" Use the remote closer to the stove See the remote control instructions See the remote control instructions
Thermostat Does Not Work	The pilot light has gone out _____ The gas control valve is turned to "PILOT" or "OFF" _____ ON/OFF switch is turned to "ON" (stove stays on), _____ The thermostat is set too low _____	See "Starting the Pilot Light" See "Starting the Pilot Light" Turn the ON/OFF switch to "OFF" Set thermostat to higher temperature
Optional Blower Does Not Work	The stove is not getting electricity _____ The stove is not up to temperature _____	Check the breaker switch See "Operating Your Stove"
Pilot Goes Out Once A Month Or More	The gas supply has been shut off _____	Keep the gas supply turned on
Flames Are Too Blue	The stove has just been started _____ Improper air shutter adjustment _____	This is normal - see "Starting the Stove for the First Time" Adjust Air Shutter - contact your dealer
Flames Are Too Short (Under 6")	The flame height may be turned too low _____	Turn the flame height to "HI" - See "Adjusting the Flame Height"
Thin Layer of Soot Covers the Glass	The logs or coals are placed incorrectly _____ Improper air shutter adjustment _____	See "Log Set Installation & Removal" Adjust Air Shutter - contact your dealer

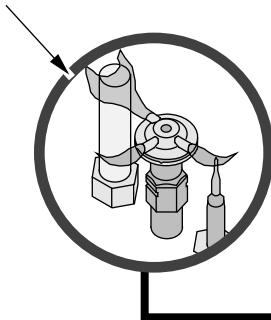
How this Stove Works

! This stove was designed with safety as the primary concern. Many of the components inside this stove are for safety purposes. Therefore, only certified gas service technicians should service this stove.

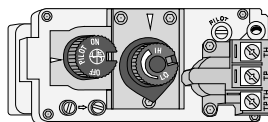
What Turns the Main Burners On and Off

This stove uses a millivolt system to control its operation (a millivolt is a very small amount of electricity). The thermopile and thermocouple generate electricity when heated by the pilot flame. This electricity is used to operate the gas valve. Without enough electricity, the gas valve will not turn on. That is why when starting the pilot the gas control knob has to be pressed in long enough for the thermocouple to heat up and generate enough electricity. The thermopile provides power for the ON/OFF switch, remote control, or thermostat (see the illustration below). Because the thermopile generates the electricity needed to turn the stove on and off, this stove can be operated when the power is out (although the blower will not run).

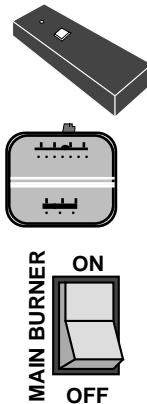
When heated, the thermopile generates electricity (a very small amount measured in "Millivolts").



This electricity is used to operate the main burners.



The main burners are switched on and off using the electricity generated by the thermopile. The ON/OFF switch, remote control, or thermostat control the circuit to the main burner.

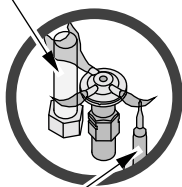


What Prevents Gas Buildup

- + This appliance utilizes a high-technology gas valve in conjunction with a pilot flame to ensure no gas builds up inside the firebox.
- + The thermocouple (next to the pilot) senses when the pilot flame is lit. If the pilot flame goes out, this thermocouple no longer generates electricity, causing the gas valve to automatically shut off all gas to the heater, preventing the pilot from spilling gas into the firebox.

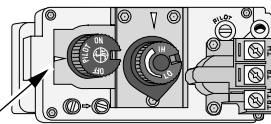
Pilot Flame

The pilot flame is a time-proven component that eliminates the possibility of gas buildup inside the firebox.



Gas Valve

This high-technology valve automatically shuts off all gas if it does not receive a signal from the thermocouple. If any component is damaged or sensing a malfunction, or if the wiring is damaged, it will shut off all gas.



External Shut Off Valve

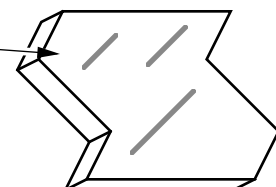
This valve is placed on the gas line to shut off gas to the appliance during maintenance procedures.

Thermocouple

The thermocouple generates a small amount of electricity. If the pilot flame goes out, the gas valve automatically shuts off all gas.

Ceramic Glass

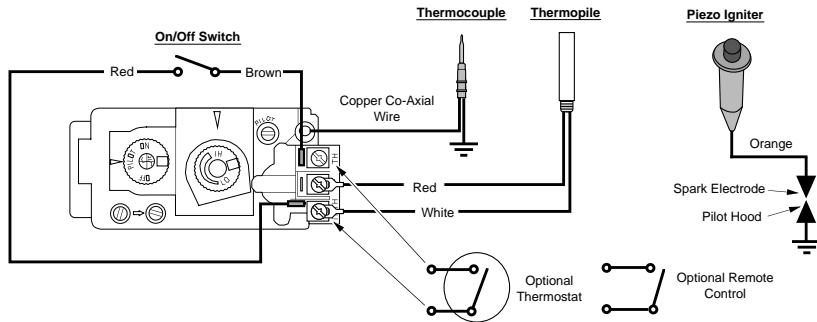
The glass in your heater is the most durable glass available. It has been tested to be extremely resistant to breakage from temperature changes.



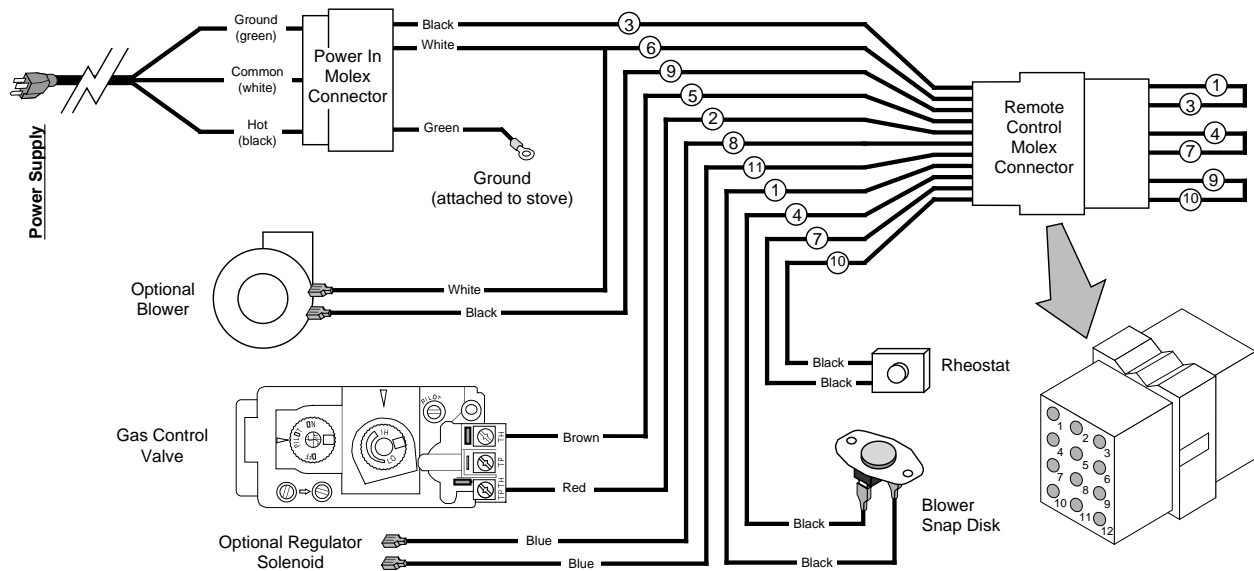
Wiring Diagram

Caution: Label all wires prior to disconnection when servicing controls. Wiring errors can cause improper and dangerous operation.

Millivolt Wiring (for gas control valve)




120 Volt Wiring




Replacement Parts List

Caution: Use only Travis Industries replacement parts. Do not use substitute materials.

The safety (listing) label is on the back of the stove. A copy of the safety label is shown below.

Tested & Listed By  Beaverton Oregon USA
 OMNI-Test Laboratories, Inc.
 Report No. 028-S-50-5
 Certified for USA



Sturbridge
 Vented Gas
 Fireplace Heater

Tested to: ANSI Z21.88b-2001 "Vented Gas Fireplace Heater" and UL 307b-1995 "Gas Burning Heating Appliances for Manufactured Homes".

VENTED GAS FIREPLACE HEATER – NOT FOR USE WITH SOLID FUEL

This appliance must be installed in accordance with local codes, if any; if none, follow the National Fuel Gas Code, ANSI Z223.1.

This vented gas fireplace heater is equipped at the factory for use with natural gas. If conversion to propane (LP) is desired, the optional factory conversion kit must be used.

This appliance is only for use with the type of gas indicated on the rating plate and may be installed in an after-market, permanently located, manufactured (mobile) home where not prohibited by local codes. See owner's manual for details. This appliance is not convertible for use with other gases, unless a certified kit is used.

This vented gas fireplace heater is not for use with air filters.

Keep burner and control compartment clean. See installation and operating instructions accompanying appliance.

WARNING: Improper installation, adjustment, alteration, service or maintenance can cause injury or property damage. Refer to the owner's information manual provided with this appliance. For assistance or additional information consult a qualified installer, service agency or the gas supplier.

WARNING: Operation of this appliance when not connected to a properly installed and maintained venting system or tampering with the blocked vent shutoff system can result in carbon monoxide (CO) poisoning and possible death. See owner

CAUTION: Do not operate this appliance with glass removed, cracked or broken. Replacement of the panel(s) should be done by a licensed or qualified service person.

CAUTION: Hot while in operation. Do not touch. Keep children, clothing, furniture, gasoline and other liquids having flammable vapors away.


This appliance must be properly connected to a venting system in accordance with the manufacturer's installation instructions. Use only approved coaxial direct vent system to vent this appliance to the exterior's manual for approved brands of venting.

Minimum Clearances to Combustibles

Stove Top to Sidewall	3.5"	Alcove Min. Height	36"
Stove Top to Backwall	4.75"	Alcove Max. Depth	48"
Stove Top to Cornerwall	1"	Alcove Min. Width	27.75"
Glass Front of Unit	36"		

	L.P.	N.G.		L.P.	N.G.
Input Rate on "HI" (BTU/Hr)*	18,000	18,000	Minimum Inlet Pressure (inches W.C.)	11"	5.5"
Input Rate on "LO" (BTU/Hr)*	14,600	14,100	Manifold Pressure on "HI" (inches W.C.)	10"	3.5"

This appliance is equipped only for altitudes 0-2000 ft. (0-610 m).
 Electrical Rating: 115v, 1.5 Amps, 60 Hz

Manufacture Date:	<input type="checkbox"/> 2002 <input type="checkbox"/> 2003 <input type="checkbox"/> 2004	<input type="checkbox"/> Jan. <input type="checkbox"/> Feb. <input type="checkbox"/> Mar.	<input type="checkbox"/> Apr. <input type="checkbox"/> May <input type="checkbox"/> Jun.	<input type="checkbox"/> Jul. <input type="checkbox"/> Aug. <input type="checkbox"/> Sep.	<input type="checkbox"/> Oct. <input type="checkbox"/> Nov. <input type="checkbox"/> Dec.	 10850 117th Pl. N.E. Kirkland, WA 98033 IGN 0466
-------------------	---	---	--	---	---	---

To register your TRAVIS INDUSTRIES, INC. 7 Year Warranty, complete the enclosed warranty card and mail it within **ten (10)** days of the appliance purchase date to: TRAVIS INDUSTRIES, INC., 10850 117th Place N.E., Kirkland, Washington 98033. TRAVIS INDUSTRIES, INC. warrants this gas appliance (appliance is defined as the equipment manufactured by Travis Industries, Inc.) to be defect-free in material and workmanship to the original purchaser from the date of purchase as follows:

Years 1 & 2 - COVERAGE: PARTS & LABOR

Burner Assembly:

Burner Pan, Mixing Tube, Air Shutter Assembly, Main Burner Orifice

Firebox Assembly:

Adjustable Air Restrictor, Pressure Relief Mechanisms (direct vents only), Glass Attachment Mechanism

Gas Control Assembly

Adjustable control valve, millivolt wiring and connectors (located within the metal heater structure), thermopile, thermocouple, pilot hood, orifices, pilot gas line, piezo ignitor

Cast Iron Shell

Cast Sides, Front, Top, Bottom, & Legs

Ceramic Glass

Glass (breakage from thermal shock)

Ceramic Logs

Log Set

Electrical Assembly:

Blower, wiring harness, snap discs, rheostat speed control

Convection Heat Exchanger

Re-Installation Allowance

In cases where heater must be removed from home for repairs, a partial cost of re-installation is covered (pre-authorization required)

One-Way Freight Allowance

One-way freight allowance on pre-authorized repair done at factory is covered.

Exclusions: Paint, Gasketing, Enamel Finish, Stone Inserts

Years 3 THROUGH 5 - COVERAGE: PARTS & LABOR

Firebox Assembly:

Adjustable Air Restrictor, Pressure Relief Mechanisms (direct vents only), Glass Attachment Mechanism

One-Way Freight Allowance

One-way freight allowance on pre-authorized repair done at factory is covered.

Cast Iron Shell

Cast Sides, Front, Top, Bottom, & Legs

Convection Heat Exchanger

Exclusions: Paint, Gasketing, Enamel Finish, Stone Inserts, Burner Assembly, Electrical Assembly, Gas Control Assembly, Ceramic Glass, Ceramic Logs, Re-Installation Allowance

Years 6 & 7 - COVERAGE: PARTS ONLY

Firebox Assembly:

Adjustable Air Restrictor, Pressure Relief Mechanisms, Glass Attachment Mechanism

Cast Iron Shell

Cast Sides, Front, Top, Bottom, & Legs

Exclusions: Paint, Gasketing, Enamel Finish, Stone Inserts, Burner Assembly, Electrical Assembly, Gas Control Assembly, Ceramic Glass, Ceramic Logs, Convection Heat Exchanger, Re-Installation Allowance, One-Way Freight Allowance, Labor

CONDITIONS & EXCLUSIONS

- This new gas appliance must be installed by a qualified gas appliance technician. It must be installed, operated, and maintained at all times in accordance with the instructions in the Owner's Manual. Any alteration, willful abuse, accident, neglect, or misuse of the product shall nullify this warranty.
- This warranty is nontransferable, and is made to the ORIGINAL purchaser, provided that the purchase was made through an authorized TRAVIS dealer.
- Discoloration and some minor expansion, contraction, or movement of certain parts and resulting noise, is normal and not a defect and, therefore, not covered under warranty. The installer must ensure the appliance is burning as per the rating tag at the time of installation. Over-firing (operation above the listed BTU rate) of this appliance can cause serious damage and will nullify this warranty.
- The warranty, as outlined within this document, does not apply to the chimney components or other Non-Travis accessories used in conjunction with the installation of this product. If in doubt as to the extent of this warranty, contact your authorized TRAVIS retailer before installation.
- Travis Industries will not be responsible for inadequate performance caused by environmental conditions such as nearby trees, buildings, roof tops, wind, hills or mountains or negative pressure or other influences from mechanical systems such as furnaces, fans, clothes dryers, etc.
- This Warranty is void if:
 - The unit has been operated in atmospheres contaminated by chlorine, fluorine or other damaging chemicals.
 - The unit is subject to submersion in water or prolonged periods of dampness or condensation.
 - Any damage to the unit, combustion chamber, heat exchanger or other components due to water, or weather damage which is the result of, but not limited to, improper chimney/venting installation.
- Exclusions to this 7 Year Warranty include: injury, loss of use, damage, failure to function due to accident, negligence, misuse, improper installation, alteration or adjustment of the manufacturer's settings of components, lack of proper and regular maintenance, damage incurred while the appliance is in transit, alteration, or act of God.
- This 7 Year warranty excludes damage caused by normal wear and tear, such as paint discoloration or chipping, worn or torn gasketing, corroded or cracked logs, embers, etc. Also excluded is damage to the unit caused by abuse, improper installation, modification of the unit, drilling of the orifices, or the use of fuel other than that for which the unit is configured. Units are shipped for natural gas and must be converted to propane using the included conversion kit. Confirm fuel configuration with your installer.
- Damage to gold, nickel, or brass surfaces caused by fingerprints, scratches, melted items, or other external sources left on the surface is not covered in this warranty. Damage from the use of cleaners other than denatured alcohol on gold or nickel is not covered in this warranty. Damage from the use of abrasive cleaners on brass is not covered in this warranty.
- TRAVIS INDUSTRIES, INC. is free of liability for any damages caused by the appliance, as well as inconvenience expenses and materials. Incidental or consequential damages are not covered by this warranty. In some states, the exclusion of incidental or consequential damage may not apply.
- This warranty does not cover any loss or damage incurred by the use or removal of any component or apparatus to or from the gas appliance without the express written permission of TRAVIS INDUSTRIES, INC. and bearing a TRAVIS INDUSTRIES, INC. label of approval.
- Any statement or representation of TRAVIS products and their performance contained in TRAVIS advertising, packaging literature, or printed material is not part of this 7 year warranty.
- This warranty is automatically voided if the appliance's serial number has been removed or altered in any way. If the appliance is used for commercial purposes, it is excluded from this warranty.
- No dealer, distributor, or similar person has the authority to represent or warrant TRAVIS products beyond the terms contained within this warranty. TRAVIS INDUSTRIES, INC. assumes no liability for such warranties or representations.
- Travis Industries will not cover the cost of the removal or re-installation of hearths, facing, mantels, venting or other components.
- If for any reason any section of this warranty is declared invalid, the balance of the warranty remains in effect and all other clauses shall remain in effect.
- THIS 7 YEAR WARRANTY IS THE ONLY WARRANTY SUPPLIED BY TRAVIS INDUSTRIES, INC., THE MANUFACTURER OF THE APPLIANCE. ALL OTHER WARRANTIES, WHETHER EXPRESS OR IMPLIED, ARE HEREBY EXPRESSLY DISCLAIMED AND PURCHASER'S RECOURSE IS EXPRESSLY LIMITED TO THE WARRANTIES SET FORTH HEREIN.**

IF WARRANTY SERVICE IS NEEDED:

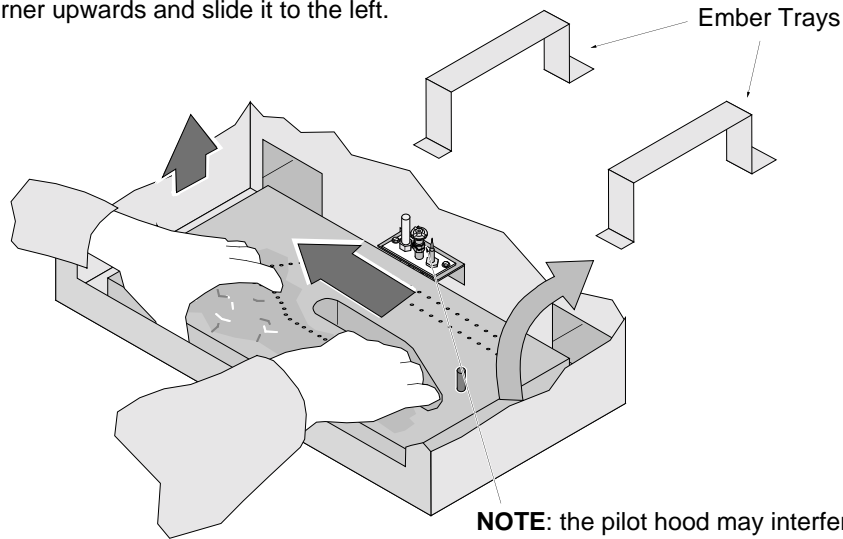
- If you discover a problem that you believe is covered by this warranty, you MUST REPORT it to your TRAVIS dealer WITHIN 30 DAYS, giving them proof of purchase, the purchase date, and the model name and serial number.
- Travis Industries has the option of either repairing or replacing the defective component.
- If your dealer is unable to repair your appliance's defect, he may process a warranty claim through TRAVIS INDUSTRIES, INC., including the name of the dealership where you purchased the appliance, a copy of your receipt showing the date of the appliance's purchase, and the serial number on your appliance. At that time, you may be asked to ship your appliance, freight charges prepaid, to TRAVIS INDUSTRIES, INC. TRAVIS INDUSTRIES, INC., at its option, will repair or replace, free of charge, your TRAVIS appliance if it is found to be defective in material or workmanship within the time frame stated within this 7 year warranty. TRAVIS INDUSTRIES, INC. will return your appliance, freight charges (years 1 to 5) prepaid by TRAVIS INDUSTRIES, INC., to your regional distributor, or dealership.
- Check with your dealer in advance for any costs to you, when arranging a warranty call. Dealers may require you to pay a service or trip charges for any warranty work. This charge can vary from store to store.

LP Conversion Instructions

Install the conversion kit prior to installing the gas line to ensure proper gas use.

- 1 Remove the glass (see page 19). Remove the log set (if installed - page 20)
- 2 Remove the burner (see illustration below).

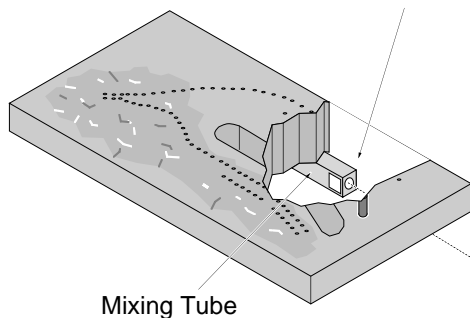
Remove the two ember trays on each side of the burner. Reach into the firebox and lift the left side of the burner upwards and slide it to the left.



NOTE: the pilot hood may interfere with the burner during removal. You can remove the burner hood by pulling up on it until it detaches (see the illustration on the following page).

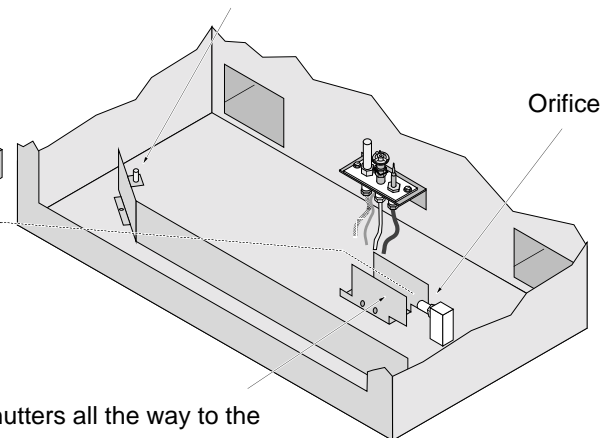
Do not lift the burner from the pins.

Make sure the mixing tube slides onto the orifice.



Burner Replacement:

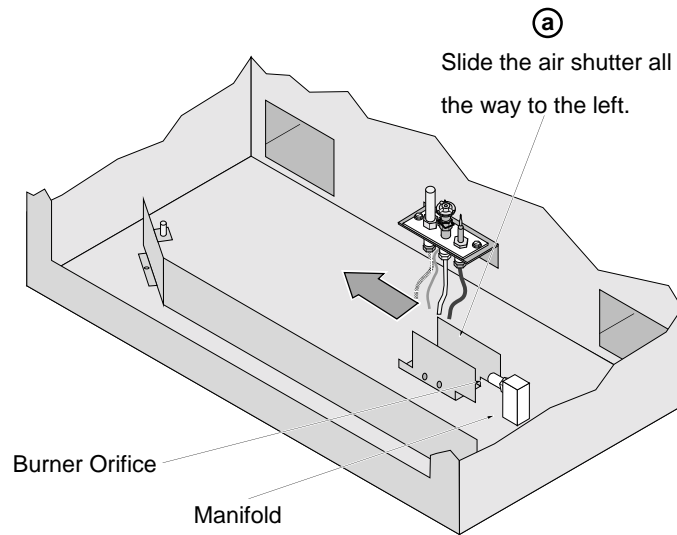
Make sure this pin inserts into the hole in the bottom of the burner and the burner is fully seated.



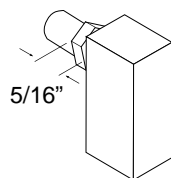
Slide the air shutters all the way to the right before installing the burner.

32 Optional Equipment (for qualified installers only)

- 3 Follow the directions below to remove the natural gas orifice. Apply thread sealant to the LP orifice (it has "1.2" stamped on it) and tighten in place with a 1/2" open end wrench.

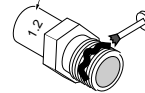


- d Use a 1/2" open end wrench to unscrew the burner orifice.

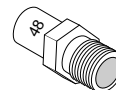


NOTE:
Screw the LP orifice in so the orifice shoulder protrudes 5/16" (indicating full insertion).

The new LP orifice has "1.2" stamped on it.



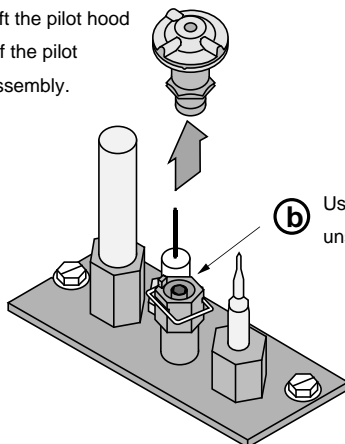
- e Apply thread sealant to the new orifice and install.



The old NG orifice has "48" stamped on it.

- 4 Remove the pilot orifice following the instructions below. Replace with the propane pilot orifice. The propane conversion kit includes pilot orifice with "35" stamped on it. Replace burner pan.

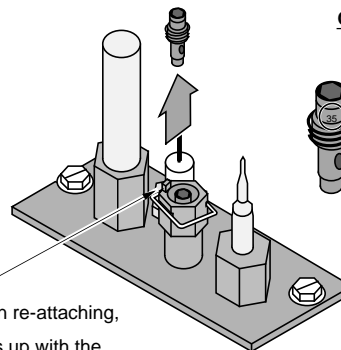
- a Lift the pilot hood off the pilot assembly.



- b Use a hex wrench to unscrew the orifice.

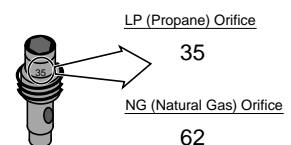


- c Remove the orifice and replace with the LP orifice. Screw the orifice all the way in and replace the pilot hood.

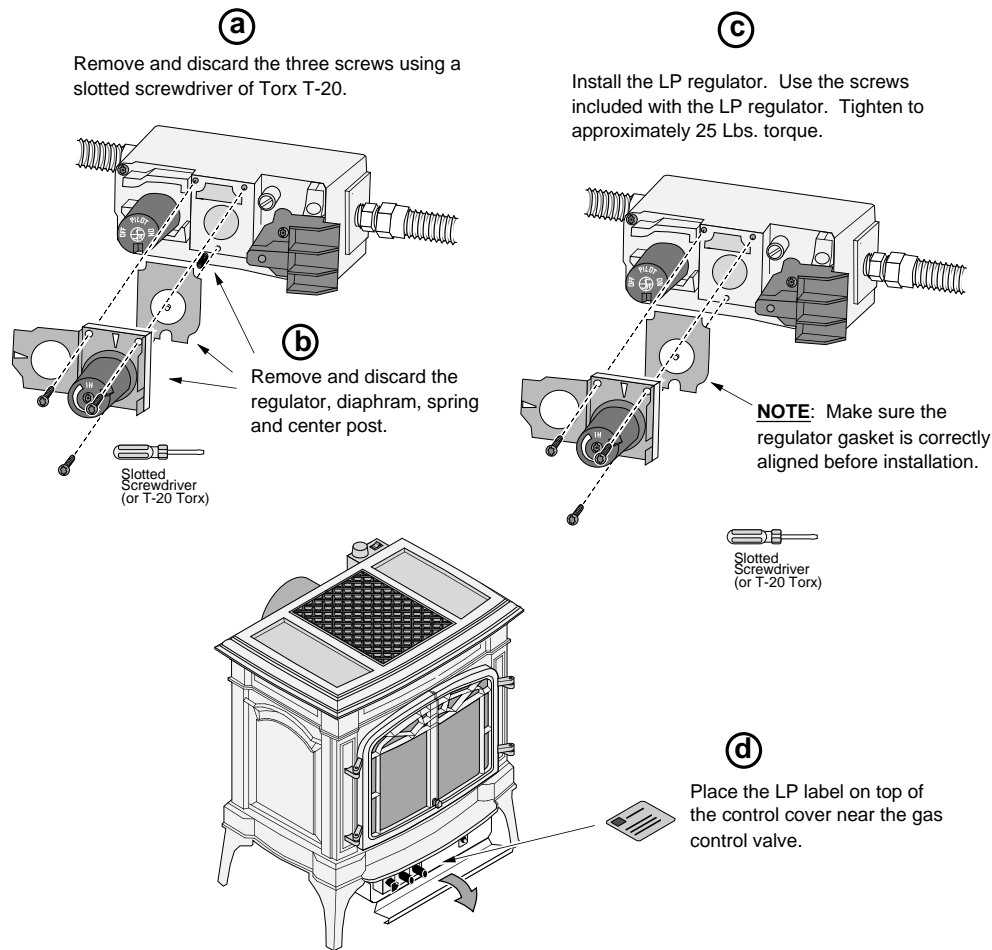


NOTE: when re-attaching, this pin lines up with the notch in the pilot hood.

Orifice Identification:



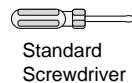
- 5 Remove the regulator from the front of the gas control valve. Replace with the propane regulator, using the new gasket and screws included with the regulator. **NOTE: Leak test this area after the heater is installed, gas is connected, and the main burner is lit.**



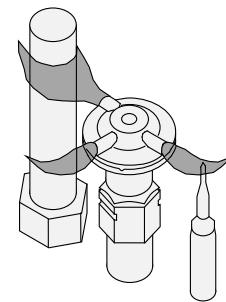
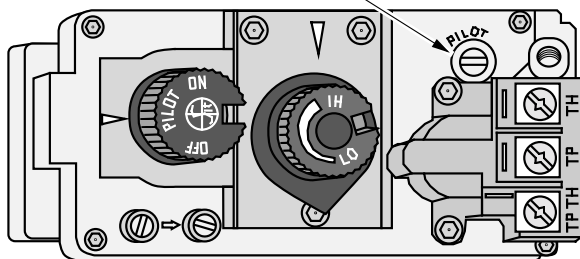
- 6 Make the gas line connection, bleed the gas line (if applicable), start the heater and thoroughly leak-test all gas connections and the gas control valve. Check the pilot. Adjust if necessary.

WARNING: When lighting or re-lighting the pilot, the glass must be removed (see page 19).

To adjust the pilot flame, turn this screw (NOTE: if totally unscrewed gas will come out of this port). Clockwise lowers the flame while counter-clockwise raises it.



The pilot flame must contact the thermocouple and thermopile (see the illustration below). Adjust the pilot up or down as necessary.



- 7 Install the log set (see page 20).
- 8 Replace the glass (see page 19).

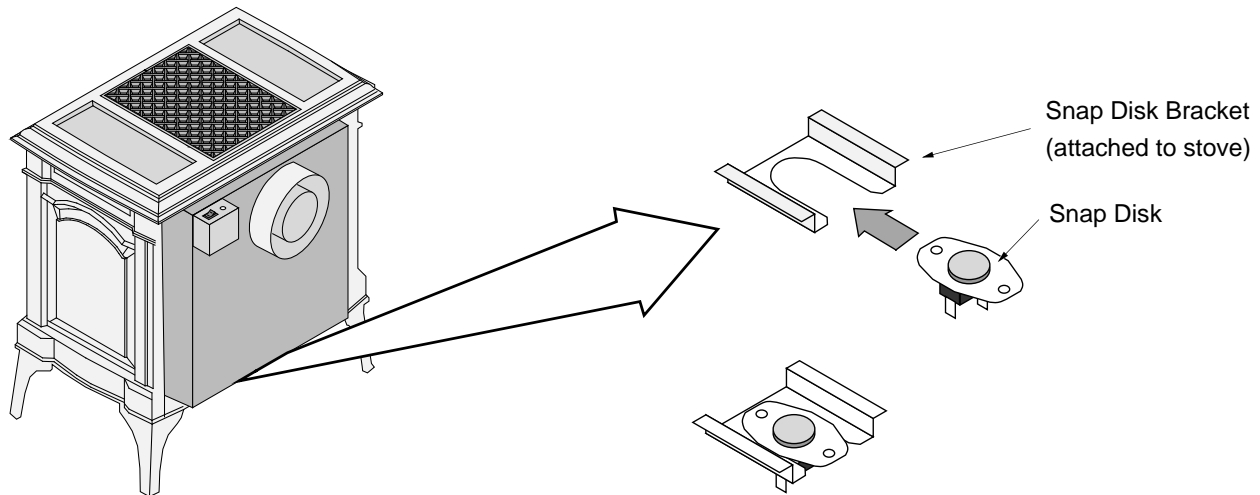
34 Optional Equipment (for qualified installers only)

Blower (part # 99000154)

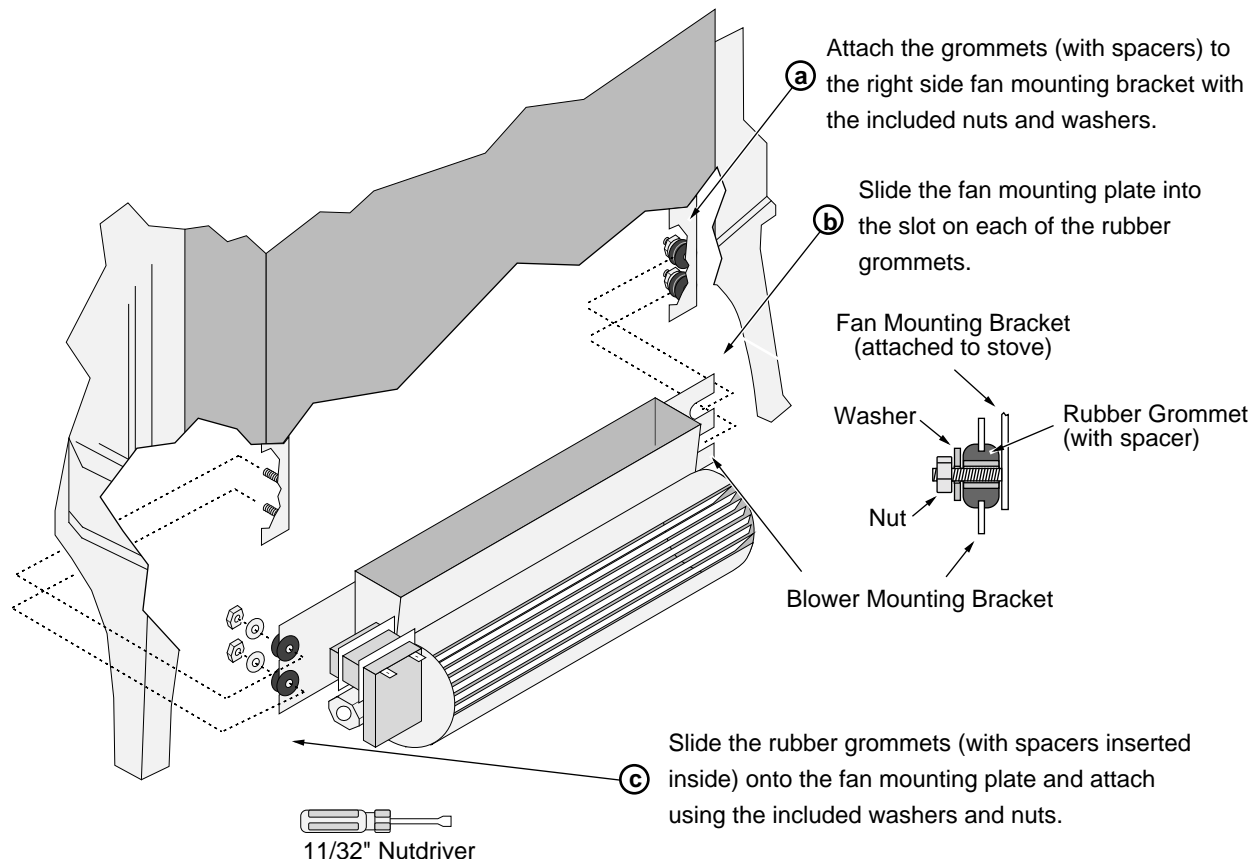
WARNING: Turn the gas control valve to off and make sure the appliance has fully cooled prior to conducting service.

WARNING: This appliance is equipped with a three-prong (grounding) plug for your protection against shock hazard and should be plugged directly into a properly grounded three-prong receptacle. Do not cut or remove the grounding prong from this plug.

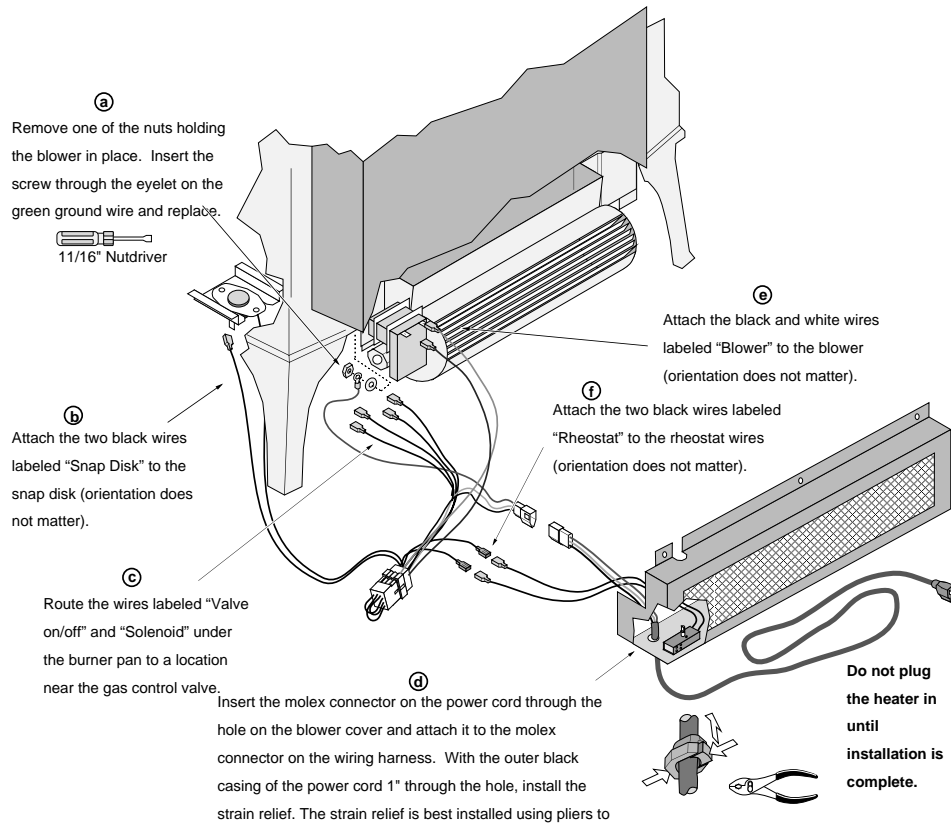
- 1 Slide the thermodisk into the holder underneath the firebox.



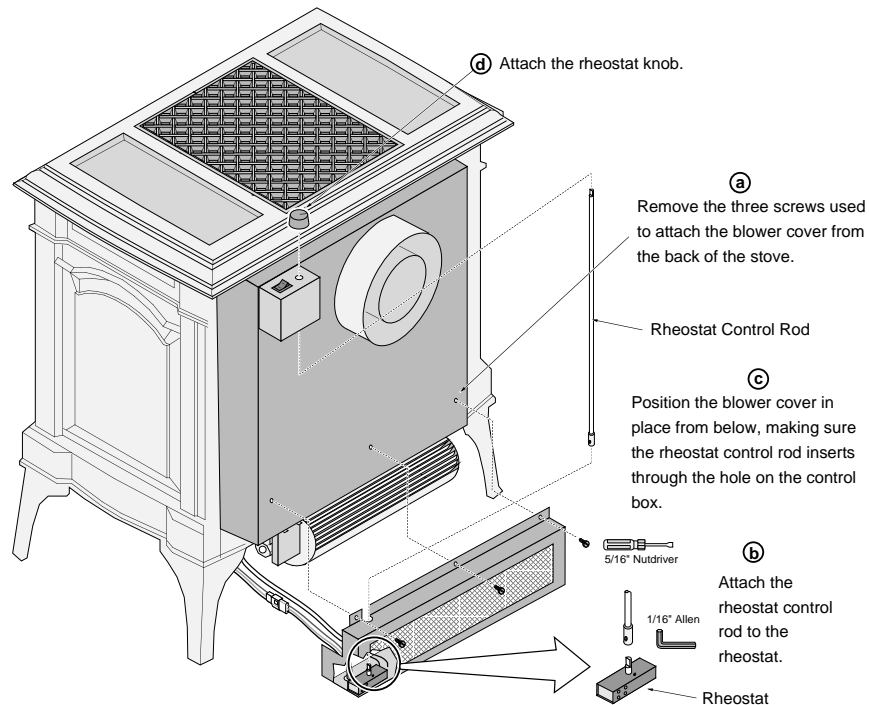
- 2 Attach the blower following the directions below.



3 Attach the wiring harness following the directions below (do not plug in the power cord at this time).



4 Attach the blower cover and rheostat control rod (and knob) following the directions below. Make sure all of the wiring is placed away from the blower impeller and the bottom of the burner. Use lock ties, if necessary, to ensure no wires are damaged.



5 Plug the blower in. Let the heater achieve operating temperature and test blower operation.

36 Optional Equipment (for qualified installers only)

Fireback (Part # 99900146)

WARNING: Turn the gas control valve to off and make sure the appliance has fully cooled prior to conducting service.

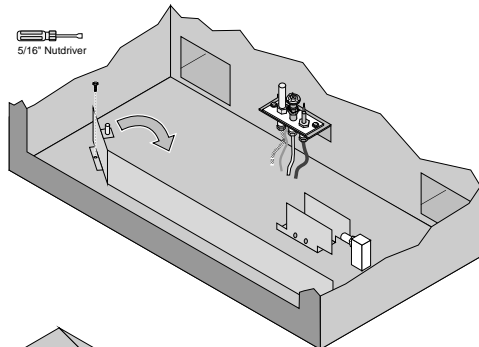
- Make sure the heater is shut off (pilot out) and fully cool prior to installation.

- The firebacks are fragile – especially after being heated.

- 1 Remove the burner (see page 31).
- 2 Follow the instructions to the right to install the firebacks.
- 3 Replace the burner support to its original position and replace the burner.

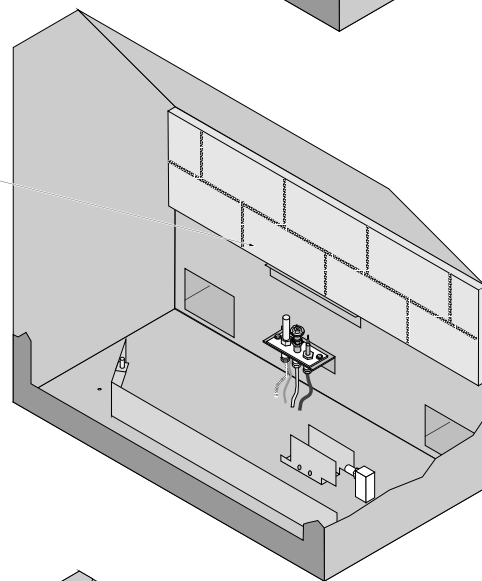
(a)

Remove this screw and bend the left side of the burner support back slightly. This allows for installation of the left side fireback. After the fireback is installed, return the burner support and screw to their original position.



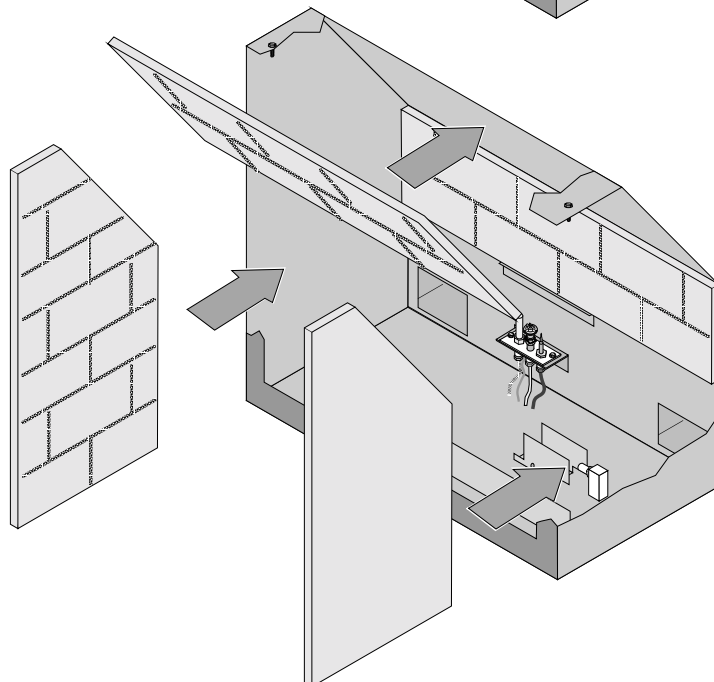
(b)

Place the rear fireback on the clip attached to the back wall of the firebox.



(c)

Place the top fireback on top of the rear fireback. Slide the side firebacks into place (the side firebacks hold the top fireback in place). There are two screws protruding from the top of the firebox - you may need to pivot the side firebacks into place.

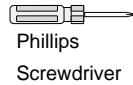


Stone Inserts (Granite 99600200, Soap Stone 996000201, Marble 99600202)

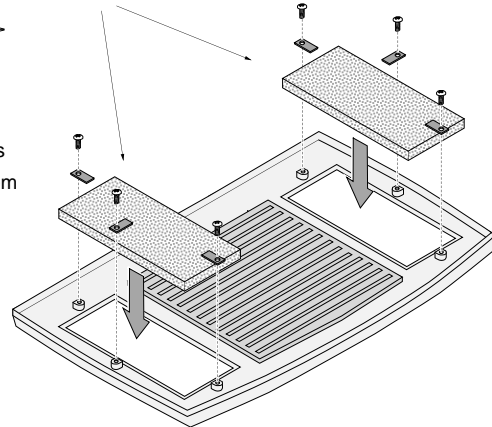
WARNING: Turn the gas control valve to off and make sure the appliance has fully cooled prior to conducting service.

- 1 Remove the stove top and place it upside down on a suitable non-scratching work surface (see the illustration on page 19). Remove the clips holding the cast inserts in place. Install the new inserts and secure using the clips – do not over-tighten and take care to not scratch the stone surface.

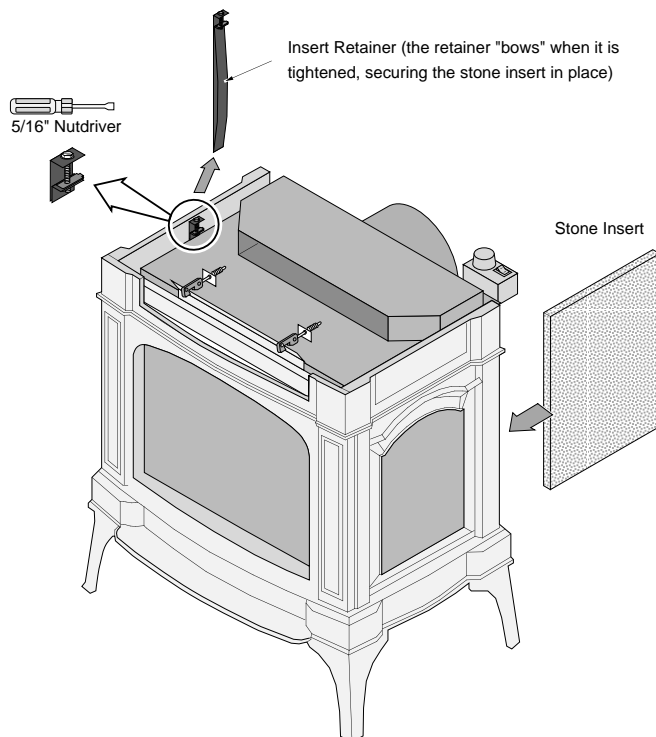
Place the stone inserts into the indents on the stove top. Attach with the clips and screws.



NOTE: slide the inserts inwards as far as possible to prevent them from striking the sides of the cast body.



- 2 Loosen the screws on the expanding side insert retainers until they become loose (on some models they may be installed from behind). Remove the cast side inserts (if applicable). Slide the stone side inserts into place (take care to not scratch the stone surface). Replace the side insert retainers and tighten the screws until the side inserts become secure (do not over-tighten).



ADDENDUM #1 Class A Chimney Conversion Kit

Simpson Duravent provides a conversion kit for those wishing to use an existing wood stove chimney to vent this direct vent stove. The illustration below gives an overview of this type of installation. See the instructions included with the kit for details.

- ! Do not exceed the maximum vertical rise (see the section "Approved Vent Configurations" starting on page 11) allowable. Remember to set the restrictor position to the correct position (based upon the vertical rise height - see the chart on page 11).
- ! The conversion kit does not work on interior masonry chimneys.

Chimney Conversion Kit A (# 931)

Metalbestos 6" I.D.
Security Chimneys 6" I.D.
Jacks-Evans 6" I.D.
Hart & Cooley 6" I.D.
Pro-Jet 6" I.D.

Chimney Conversion Kit B (# 932)

Simpson Dura-Vent 6" I.D.
Air-Jet 6" I.D.
Metal-Fab 6" and 7" I.D.
Amer. Metals 6" & 7" I.D.
Metalbestos 7" and 8" I.D.
Jacks-Evans 7" and 8" I.D.
Hart & Cooley 7" and 8" I.D.
Pro-Jet 7" and 8" I.D.
Security Chimneys 8" I.D.

Chimney Conversion Kit C (# 933)

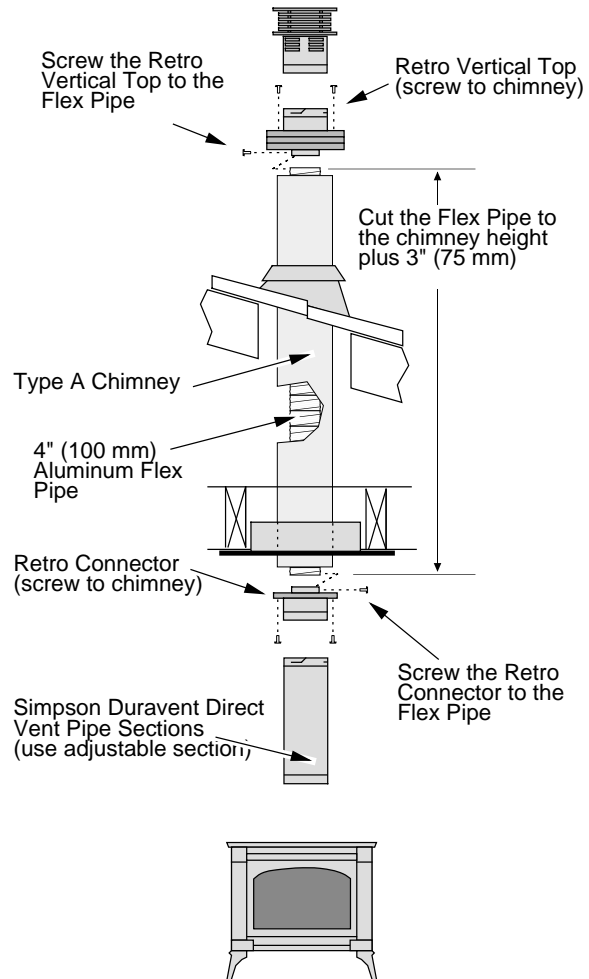
Simpson Dura-Vent 7" and 8" I.D.
American Metals 8" I.D.
Air-Jet 8" I.D.
Metal-Fab 8" I.D.
American Metals 8" I.D.

Each Kit Contains:

Retro Connector
Retro Vertical Top

Additional Required Equipment:

4" Flex (#711 or U.L. 1777)
Termination (#991)
Co-Axial Sections



ADDENDUM #2 Interior Masonry Chimney Conversions

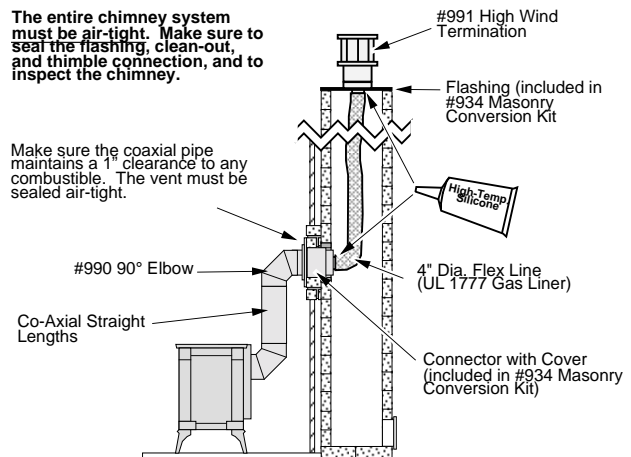
- Follow the requirements and use the equipment listed in the illustration below to install this appliance into an interior masonry chimney.
- Maximum vertical rise is 40'
- Minimum vertical rise is 10'
- See the chart on page 15 for determining the correct restrictor position.

NOTE: these restrictor positions are based upon lab tests. The ideal restrictor position may vary slightly.

Interior Masonry Chimney

The entire chimney system must be air-tight. Make sure to seal the flashing, clean-out, and thimble connection, and to inspect the chimney.

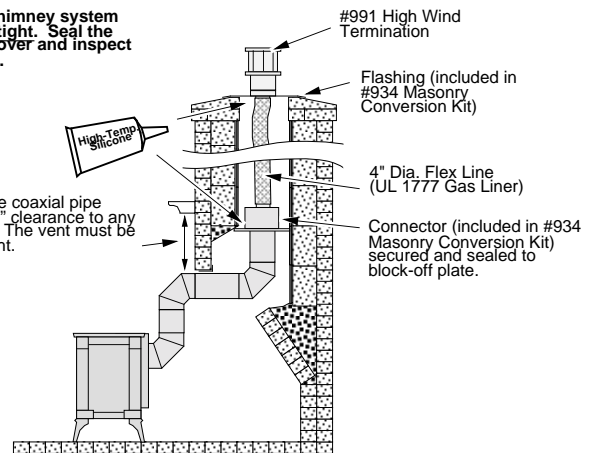
Make sure the coaxial pipe maintains a 1" clearance to any combustible. The vent must be sealed air-tight.



Standard Masonry Fireplace

The entire chimney system must be air-tight. Seal the connector cover and inspect the chimney.

Make sure the coaxial pipe maintains a 1" clearance to any combustible. The vent must be sealed air-tight.



Approved Vent Configurations.....	14-15	Installation Options	6
Adjusting the Blower Speed.....	24	Items Required for Installation.....	7
Adjusting the Flame Height	23	Leaking Gas	See Inst. on Cover
Air Shutter Adjustment.....	17	Listing Information	29
Altitude Considerations.....	11	Location of Controls.....	21
Blower Control.....	21	Log Set Installation and Removal	20
BTU Input.....	6	Maintenance	25
BTU Output.....	6	Measuring Vent Lengths.....	13
Cap (see vent termination).....	16	Noise (see Normal Operating Sounds)	24
Chimney Cap (see vent termination).....	16	Normal Operating Sounds.....	24
Clearances.....	8	Packing List.....	7
Condensation on Glass.....	23	Pilot Flame Inspection.....	25
Corner Installation.....	8	Piping Installation (see Gas Line Install).....	10
Dimensions.....	6	Restrictor Position	12
Door Removal (Glass Removal)	19	Safety Label.....	29
Dura-Vent (part numbers).....	11	Safety Precautions	4
Elbows.....	11	Starting The Pilot.....	22
Finalizing the Installation.....	17	Starting the Stove for the First Time	23
Floor Protection	9	Thermostat Operation.....	23
Fuel.....	4	Turning the Stove On and Off.....	23
Gas Control Valve (Location).....	21	Vent Length (see "Vent Config.").....	13
Gas Inlet Pressure.....	10	Vent Part Numbers	11
Gas Line Connection	10	Vent Requirements	11
Gas Line Install.....	10	Vertical Vent Termination Requirements	16
Gas Smell.....	See Inst. on Cover	Warnings.....	4
Glass Installation and Removal	19	Warranty.....	30
Hearth Requirements.....	9	Water on Glass (see Condensation)	23
Heating Specifications	6	Weight.....	6
Horizontal Vent Termination Requirements	16	What Prevents Gas Buildup.....	27
How this Stove Works	27	What Turns the Main Burners On and Off.....	27
		Wiring Diagram.....	28
		Yearly Service Procedure.....	25