



FIREPLACE XTORDINAIR™



- Direct Vent Fireplace
- Natural Gas or Propane
- Standard Residential
- Mobile Home Approved

Tested and Listed by



Omni-Test Laboratories, Inc.
Beaverton, Oregon
Report#028-5-26-5

ANSIZ21.88, CSA2.33M98, CAN/CGA2.17-M91

WARNING: If the information in these instructions are not followed exactly, a fire or explosion may result causing property damage, personal injury or loss of life.

- Do not store or use gasoline or other flammable vapors and liquids in the vicinity of this or any other appliance.

WHAT TO DO IF YOU SMELL GAS

- Do not try to light any appliance.
- Do not touch any electrical switch; do not use any phone in your building.
- Immediately call gas supplier from a neighbor's phone. Follow the gas supplier's instructions.
- If you cannot reach your gas supplier, call the fire department.
- Installation and service must be performed by a qualified installer, service agency or the gas supplier.

This appliance may be installed as an OEM installation in a manufactured (mobile) home and must be installed in accordance with the manufacturer's instructions and the manufactured home construction and safety standard, Title 24 CFR, Part 3280 or Standard for Installation in Mobile Homes, CAN/CSA Z240 MH.

This appliance is only for use with the type(s) of gas indicated on the rating plate. A conversion kit is supplied with the appliance.

44 DV XXL Owner's Manual

Installer: After installation give this manual to the homeowner and explain operation of this fireplace.
© Copyright 2003, T.I. Part # 93508112
\$10.00 403205



Travis Industries, Inc.
10850 117th Place N.E. Kirkland, WA 98033

Introduction

We welcome you as a new owner of a Fireplace Xtordinaire gas fireplace. In purchasing a Fireplace Xtordinaire you have joined the growing ranks of concerned individuals whose selection of an energy system reflects both a concern for the environment and aesthetics. The Fireplace Xtordinaire is one of the finest home heaters the world over. This manual will explain the installation, operation, and maintenance of this fireplace. Please familiarize yourself with the Owner's Manual before operating your heater and save the manual for future reference. Included are helpful hints and suggestions that will make the operation and maintenance of your new fireplace an easier and more enjoyable experience. We offer our continual support and guidance to help you achieve the maximum benefit and enjoyment from your heater.

Important Information

No other Fireplace Xtordinaire gas fireplace has the same serial number as yours. The serial number is below and to the left of the gas control valve.

This serial number will be needed in case you require service of any type.

Model: 44 DV XXL (SIT)

Serial Number: _____

Purchase Date: _____

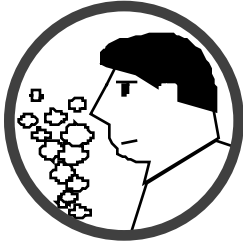
Purchased From: _____

Mail your Warranty Card Today, and Save Your Bill of Sale.

To receive full warranty coverage, you will need to show evidence of the date you purchased your heater. Do not mail your Bill of Sale to us.

We suggest that you attach your Bill of Sale to this page so that you will have all the information you need in one place should the need for service or information occur.

Safety Precautions



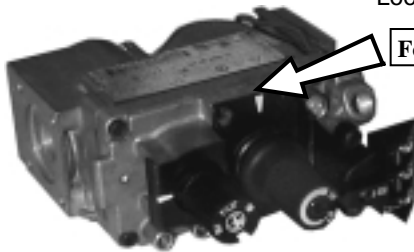
• IF YOU SMELL GAS:

- * Do not light any appliance
- * Extinguish any open flame
- * Do not touch any electrical switch or plug or unplug anything
- * Open windows and vacate building
- * Call gas supplier from neighbor's house, if not reached, call fire department



- This unit must be installed by a qualified installer to prevent the possibility of an explosion. Your dealer will know the requirements in your area and can inform you of those people considered qualified. The room heater should be inspected before use and at least annually by a qualified service person. More frequent cleaning may be required due to excessive lint from carpeting, bedding material, etc.
- The instructions in this manual must be strictly adhered to. Do not use makeshift methods or compromise in the installation. Improper installation will void the warranty and safety listing.

Look for this label:



For LPG only | Pout 11" W.C.

If the label is present, the heater is equipped for LP (propane). If the label is absent, the heater is equipped for NG (natural gas).

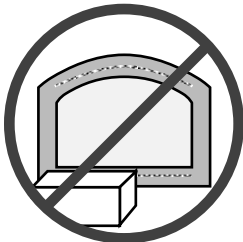
- This heater is either approved for natural gas (NG) or for propane (LP or LPG). Burning the incorrect fuel will void the warranty and safety listing and may cause an extreme safety hazard. Direct questions about the type of fuel used to your dealer. Check for the label shown to the right.



- Contact your local building officials to obtain a permit and information on any installation restrictions or inspection requirements in your area. Notify your insurance company of this heater as well.



- If the flame becomes sooty, dark orange in color, or extremely tall, do not operate the heater. Call your dealer and arrange for proper servicing.



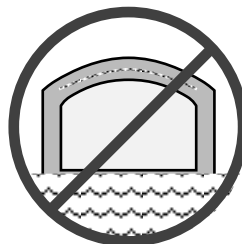
- It is imperative that control compartments, screens, or circulating air passageways of the heater be kept clean and free of obstructions. These areas provide the air necessary for safe operation.



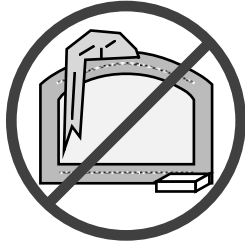
- Do not operate the heater if it is not operating properly in any fashion or if you are uncertain. Call your dealer for a full explanation of your heater and what to expect.



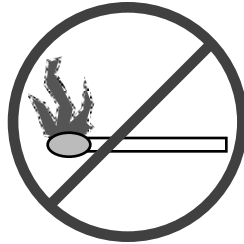
- Do not store or use gasoline or other flammable liquids in the vicinity of this heater.



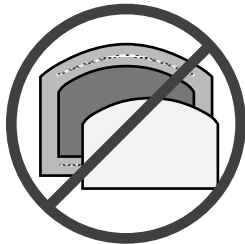
- Do not use this appliance if any part has been under water. Immediately call a qualified service technician to inspect the appliance and to replace any part of the control system and any gas control which has been under water.



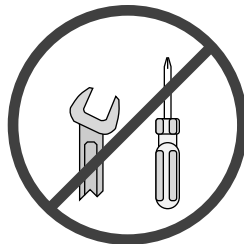
- Do not place clothing or other flammable items on or near the heater. Because this heater can be controlled by a thermostat there is a possibility of the heater turning on and igniting any items placed on or near it.



- Light the heater using the built-in piezo igniter. Do not use matches or any other external device to light your heater.
- Never remove, replace, modify or substitute any part of the heater unless



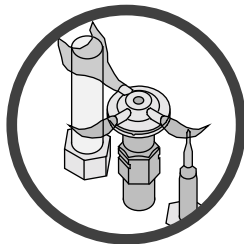
- The viewing glass should be opened only for lighting the pilot or conducting service.
- Any safety screen or guard removed for servicing must be replaced prior to operating the heater.
- Do not operate with the glass removed or damaged.



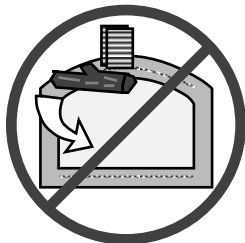
- instructions are given in this manual. All other work must be done by a trained technician. Don't modify or replace orifices.
- Allow the heater to cool before carrying out any maintenance or cleaning.



- Operate the heater according to the instructions included in this manual.
- If the main burners do not start correctly turn the gas off at the gas control valve and call your dealer for service.



- The pilot flame must contact the thermopile and thermocouple (see the illustration to the left). If it does not, turn the gas control valve to "OFF" and call your dealer.



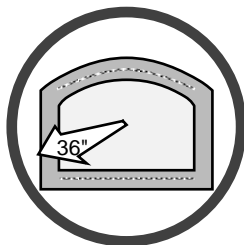
- This unit is not for use with solid fuel
- Do not place anything inside the firebox (except the included fiber logs).
- If the fiber logs become damaged, replace with Travis Industries log set.



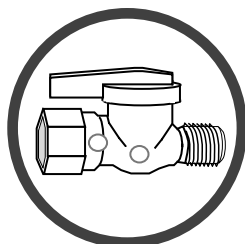
- Do not throw this manual away. This manual has important operating and maintenance instructions that you will need at a later time. Always follow the instructions in this manual.



- Do not touch the hot surfaces of the heater. Educate all children of the danger of a high-temperature heater. Young children should be supervised when they are in the same room as the heater.



- Keep all furniture or other combustible items at least 36" away from the front of the fireplace (this includes drapes or doors that may swing within 36" of the front of the fireplace).



- Instruct everyone in the house how to shut gas off to the appliance and at the gas main shutoff valve. The gas main shutoff valve is usually next to the gas meter or propane tank and requires a wrench to shut off.



- Travis Industries, Inc. grants no warranty, implied or stated, for the installation or maintenance of your heater, and assumes no responsibility of any consequential damage(s).**

Introduction

Introduction & Important Information.....1

Safety Precautions

Safety Precautions2

Features & Specifications

Features5

Installation Options.....5

Heating Specifications.....5

Dimensions.....5

Installation

Installation Warning.....6

Packing List.....6

Additional Items Required for Installation.....6

Installation Overview.....6

Fireplace Placement Requirements.....7

 Minimum Framing Dimensions7

 Clearances8

 Vertical Stand-Off8

 Corner Installations9

 Raised Fireplaces.....9

Hearth Requirements.....10

Facing Requirements.....11

Facing Over 1" Thick.....11

Facing Detail.....12

Face Dimensions13

Facing and Hearth Examples.....14

Mantel Requirements.....16

Vent Requirements.....17

 Altitude Considerations17

 Clearances17

 Part Numbers (8" Dia. Pipe)17

 Vent Installation.....18

Approved Vent Configurations.....19

 Restrictor Position.....19

 Elbows.....19

 Measuring Vent Lengths.....19

 Vertical Term. 0,2 or 4 45° Offsets20

 Horizontal Term. with One Vert. Elbow21

 Horizontal Term. with Three Vert. Elbows.....22

 Vertical Term. with Two Elbows.....23

Vent Termination Requirements24

Gas Line Requirements.....25

 Fuel.....25

 Gas Line Connection.....25

 Gas Inlet Pressure25

Electrical Connection.....26

Finalizing the Installation

1 Glass Removal (& installation).....27

2 Log Installation28

3 Replace the Glass33

4 Faceplate Installation.....33

5 Leak Test.....33

6 Pilot Adjustment (if necessary).....33

7 Air Shutter Adjustment (if necessary)34

8 Check Flame.....35

9 Explain Operation to Home-Owner.....35

Operation

Before You Begin.....36

Location of Controls36

Starting The Pilot37

Starting the Fireplace for the First Time.....38

Turning the Fireplace On and Off.....38

Adjusting the Flame Height.....38

Adjusting the Blower Speed.....39

Optional Power Heat Duct Operation.....39

Normal Operating Sounds.....39

Normal Operating Odors.....39

Maintenance

Yearly Service Procedure.....40

Troubleshooting Table.....41

How this Fireplace Works.....42

 What Turns the Main Burners On and Off.....42

 What Prevents Gas Buildup.....42

Wiring Diagram43

Replacement Parts List.....43

Safety Label

Safety (Listing) Label.....44

Warranty

Warranty.....45

Optional Equipment

LP Conversion Kit46

Power Heat Duct.....50

Decorative Refractories (Classic & Brick)56

Index

Index.....58

Features:

- Works During Power Outages (millivolt system)
- High Efficiency
- Optional Thermostat or Remote Control
- Realistic "Wood Fire" Look
- Two Quiet Blowers for Effective Heat Distribution
- Convenient Operating Controls
- Variable-Rate Heat Output
- Low Maintenance

Installation Options:

- Residential or Mobile Home
- Straight or Corner Placement
- Flush or Recessed Face
- Raised or Floor Hearth
- Internal or External Chase
- Horizontal or Vertical Vent
- Power Heat Duct

Heating Specifications:

Approximate Heating Capacity (in square feet)*
 BTU Input Per Hour (from high to low)
 BTU Output on High (with blowers on)
 Efficiency** (with blowers on)
 AFUE (Annual Fuel Utilization Efficiency)

Natural Gas

Up to 3,000
 58,000 – 30,000
 42,920
 74 %
 68 %

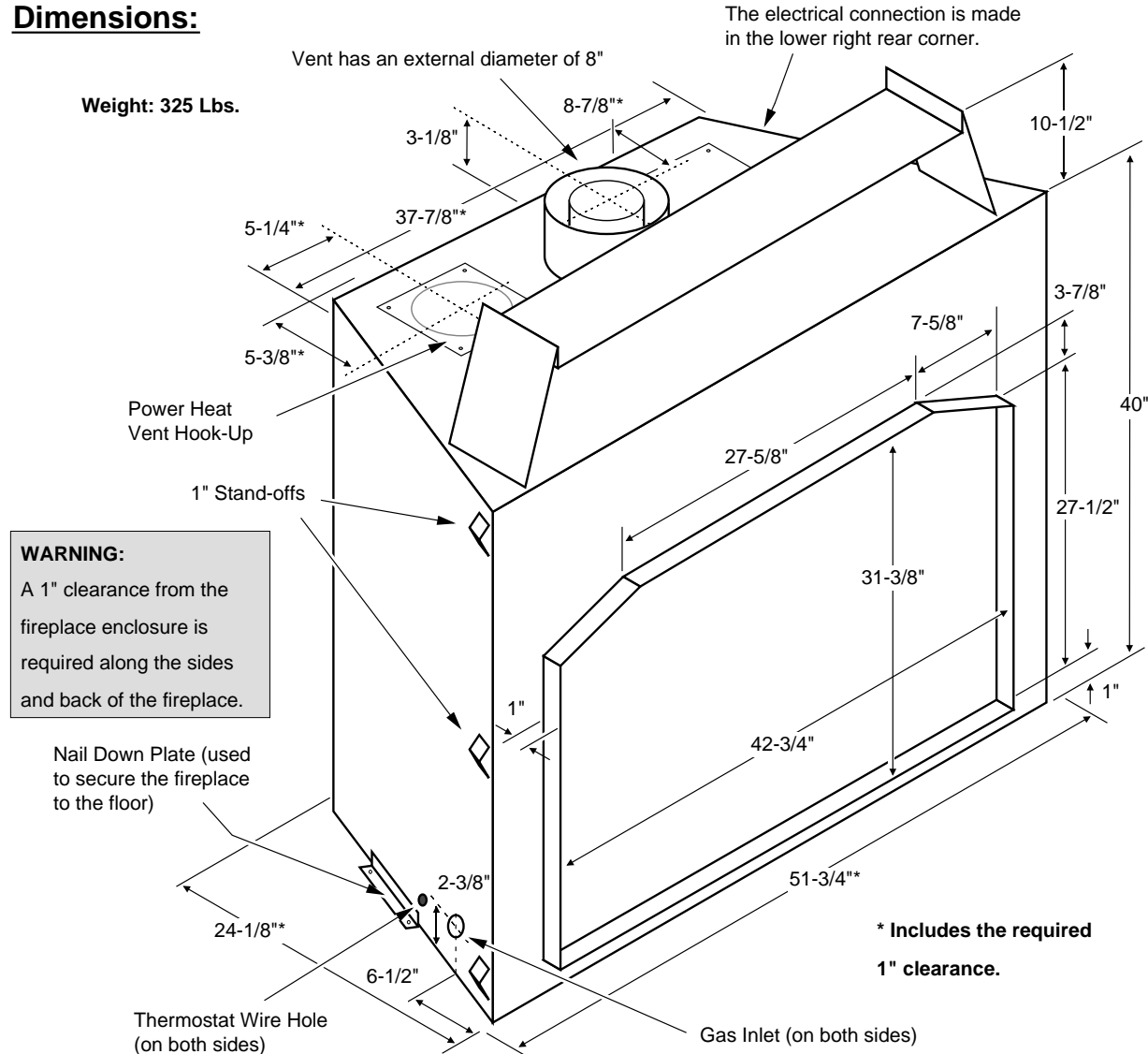
Propane

Up to 3,000
 58,000 – 30,000
 44,080
 76 %
 69 %

* Heating capacity will vary with floor plan, insulation, use of Power Heat Duct, and outside temperature.

** Efficiency rating is a product thermal efficiency rating determined under continuous operation independent of installed system.

Dimensions:



Installation Warnings:

- ! Failure to follow all of the requirements may result in property damage, bodily injury, or even death.
- ! This heater must be installed by a qualified installer who has gone through a training program for the installation of direct vent gas appliances.
- ! This appliance must be installed in accordance with all local codes, if any; if not, in U.S.A. follow ANSI Z223.1 and NFPA 54(88), in Canada follow B-149.
- ! In Manufactured or Mobile Homes must conform with: In USA, Manufactured Home Construction and Safety Standard, Title 24 CFR, Part 3280; In Canada, CSA Z240.4 and Gas-Equipped Recreational Vehicles and Mobile Housing. This appliance may be installed in Manufactured Housing only after the home is site located.
- ! The 44 DV XXL is designed to operate on natural gas or propane (LP).
- ! All exhaust gases must be vented outside the structure of the living-area. Combustion air is drawn from outside the living-area structure.
- ! Notify your insurance company before hooking up this fireplace.
- ! The requirements listed below are divided into sections. All requirements must be met simultaneously. The order of installation is not rigid – the qualified installer should follow the procedure best suited for the installation.

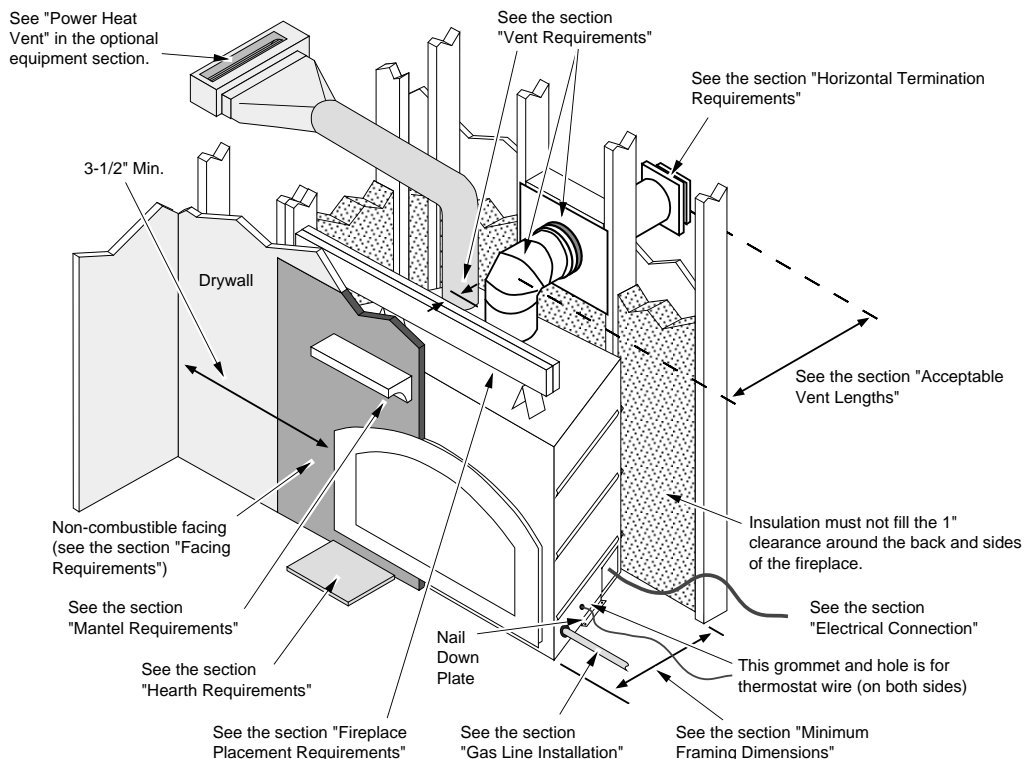
Packing List

- Propane Conversion Kit
- Log Set (Log Set, Coals, & Glowing Embers)
- Flex Tube with Pipe Adapter
- Glass Latch Tool (to un-latch glass frame)
- Arch Covers (for arched face)
- Firestop (manufactured for the 44 DV XXL)

Additional Items Required

- Faceplate - Includes attachment screws
- Direct Vent (Simpson Dura-Vent Ph. # 800 835-4429)
- Gas Line Equipment (shutoff valve, pipe, etc.)
- Electrical Equipment (min. 18 gauge, grounded line)

Installation Overview

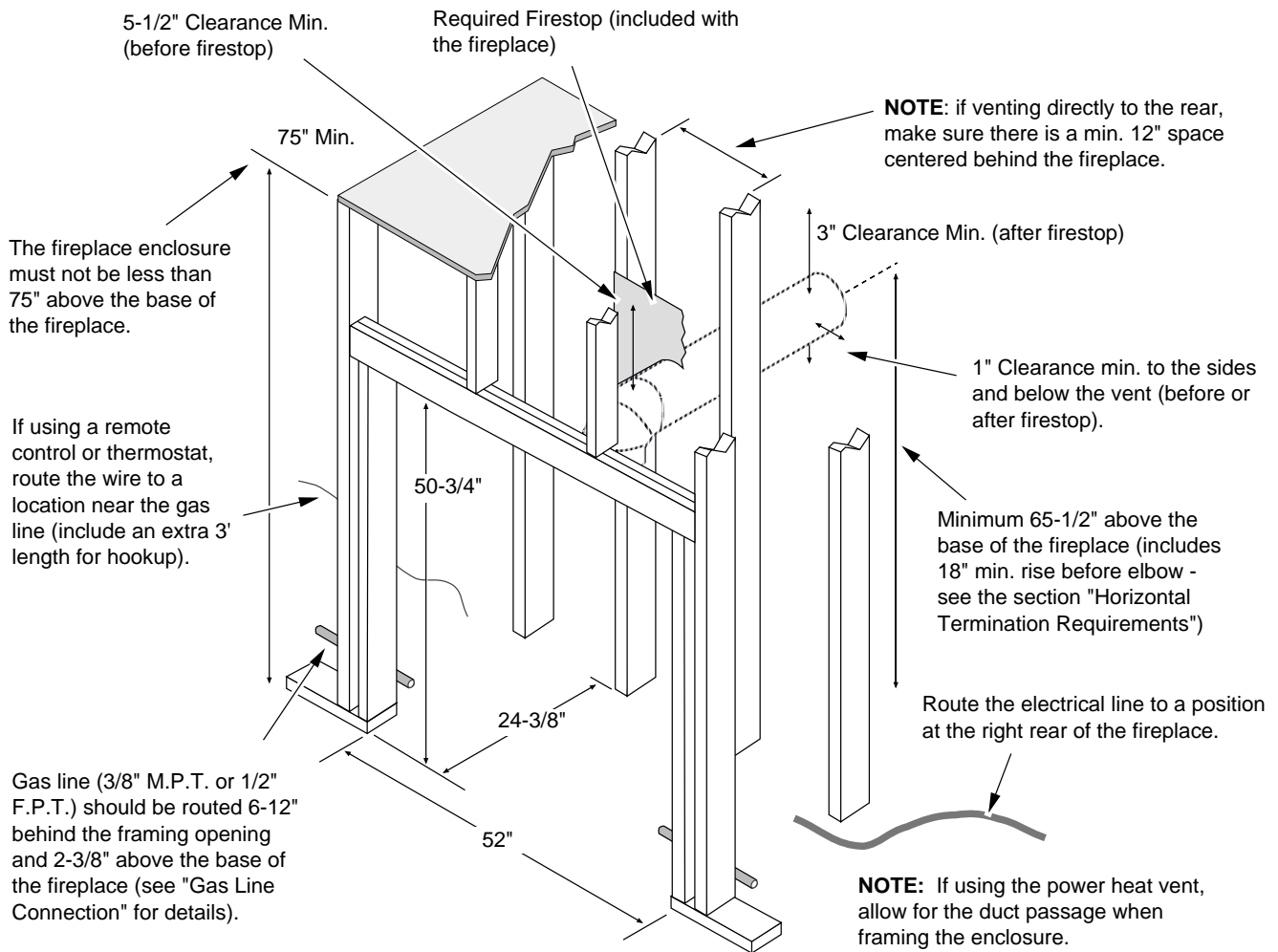


Fireplace Placement Requirements

Minimum Framing Dimensions

The 1" stand-offs along the front corners, the 1" clearance requirement around the sides and back, and the 10-1/2" stand-offs on the top of the fireplace separate the fireplace from combustible materials (e.g.: combustible framing members, plywood, sheetrock, paper-backed insulation). The stand-offs may contact the framing members but no material may be placed between the stand-offs or into the required 1" clearance to the sides and back

This heater may be placed in a bedroom. Please be aware of the large amount of heat this appliance produces when determining a location.



- Fireplace must be installed on a level surface capable of supporting the fireplace and vent
- Fireplace must be placed directly on wood or non-combustible surface (not on linoleum or carpet)
- Due to the high temperature of the fireplace, it should be located out of traffic and away from furniture and draperies.

Clearances

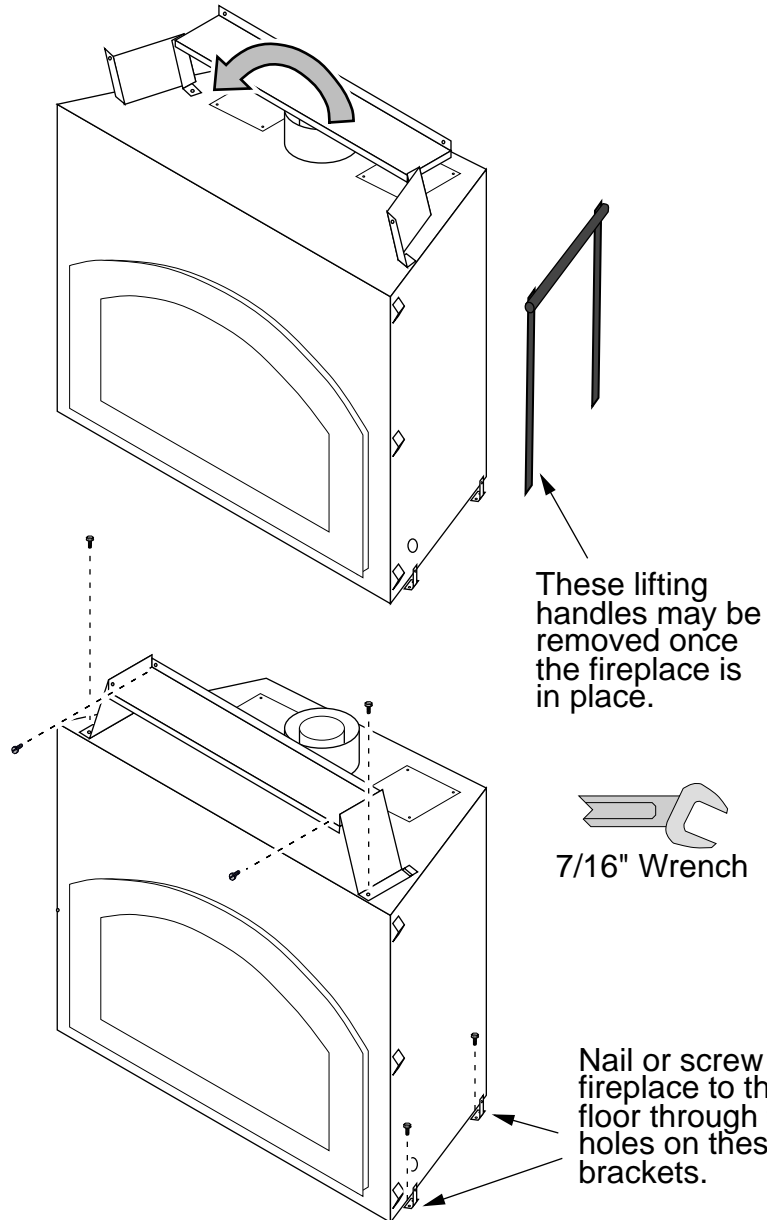
- When installed, walls in front of the fireplace must be a minimum 3-1/2" to the side of the faceplate.
- Fireplace must be placed so that no combustibles are within, or can swing within 36" of the front of the fireplace (e.g. drapes, doors)
- Fireplace must be placed so the vents below and above the glass do not become blocked

Vertical Standoff

- The vertical standoff above the fireplace must be erected prior to installation. See the illustration below for instructions.

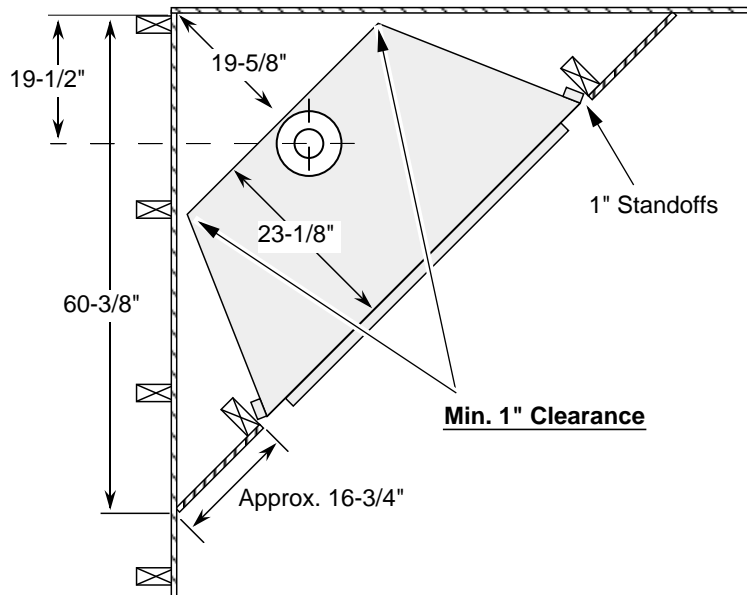
The vertical standoff is shipped swiveled down. Rotate the standoff upwards into place.

Secure the standoff with the four screws.



Corner Installations

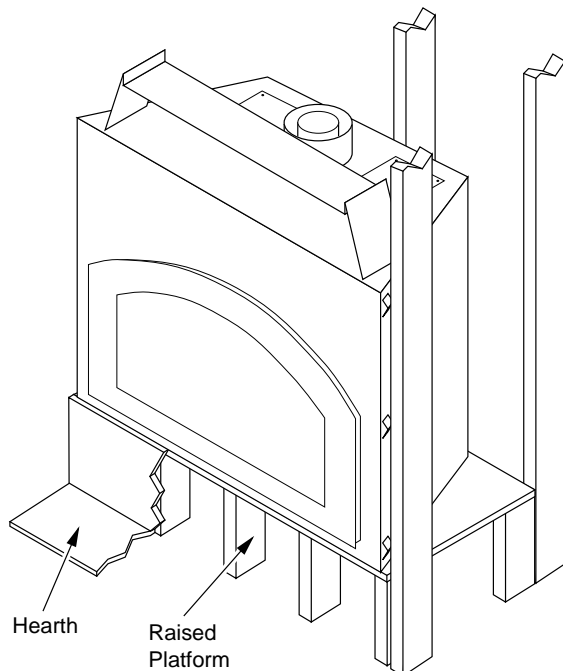
A typical 45° installation uses the minimum framing dimensions shown in the illustration below (NOTE: all clearances still apply).



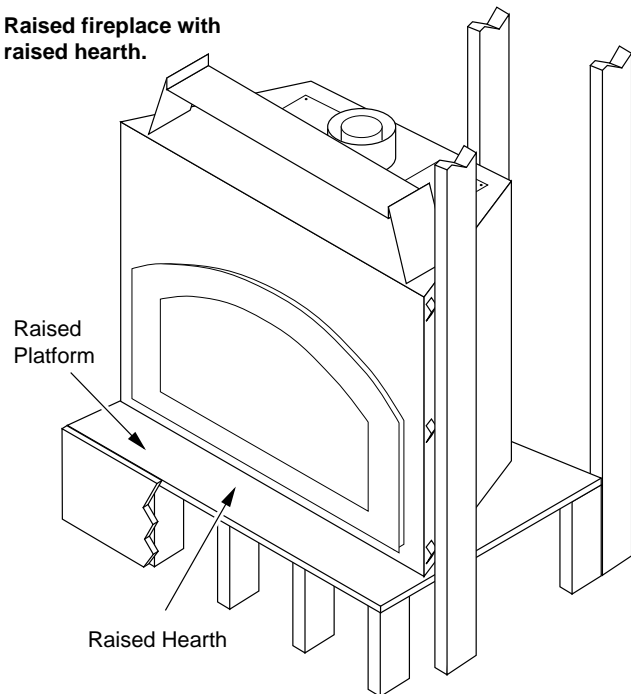
Raised Fireplaces

- The fireplace (and hearth, if desired) may be placed on a platform designed to support the fireplace (approximately 300 Lbs.) and vent.
- The fireplace may not be raised so as to place the ceiling within 40" of the top of the faceplate or to reduce the fireplace enclosure to less than 75".

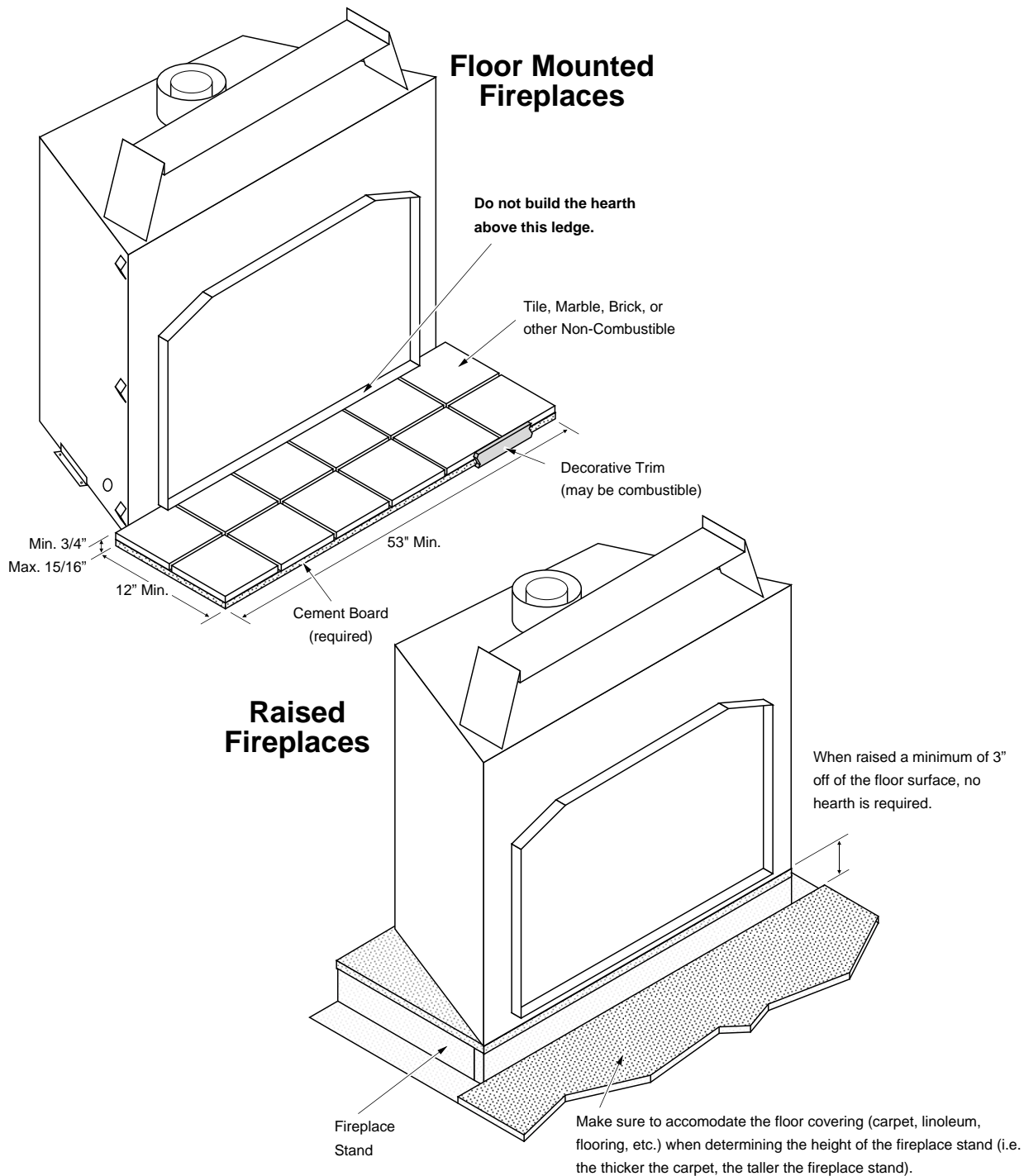
Raised fireplace



Raised fireplace with raised hearth.



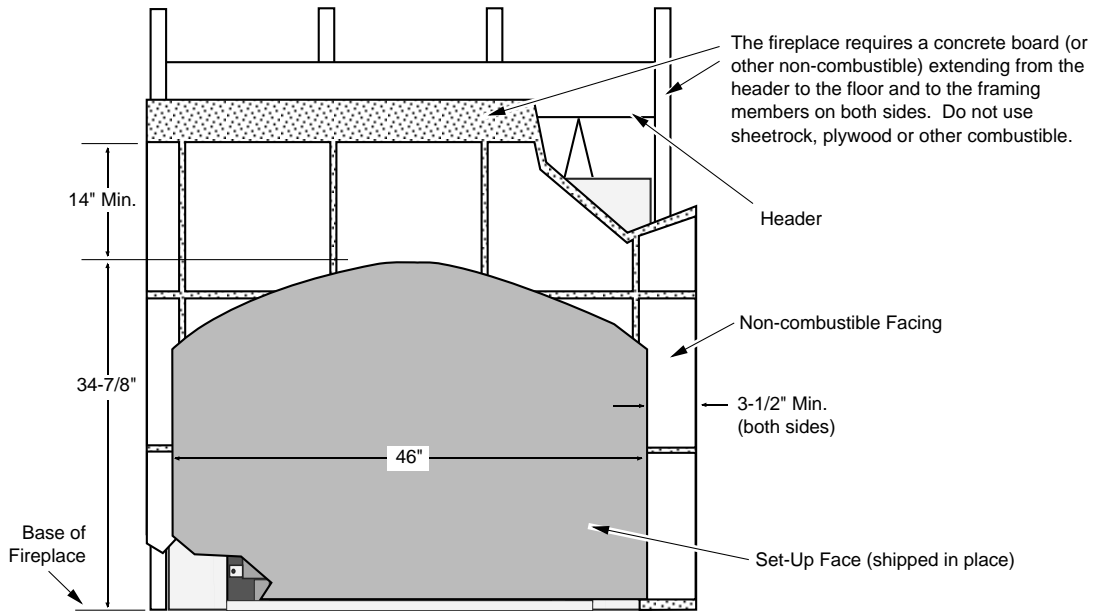
Hearth Requirements



Facing Requirements

NOTE: The combustible area above the facing must not protrude more than 3/4" from the facing. If it does, it is considered a mantel and must meet the mantel requirements listed in this manual.

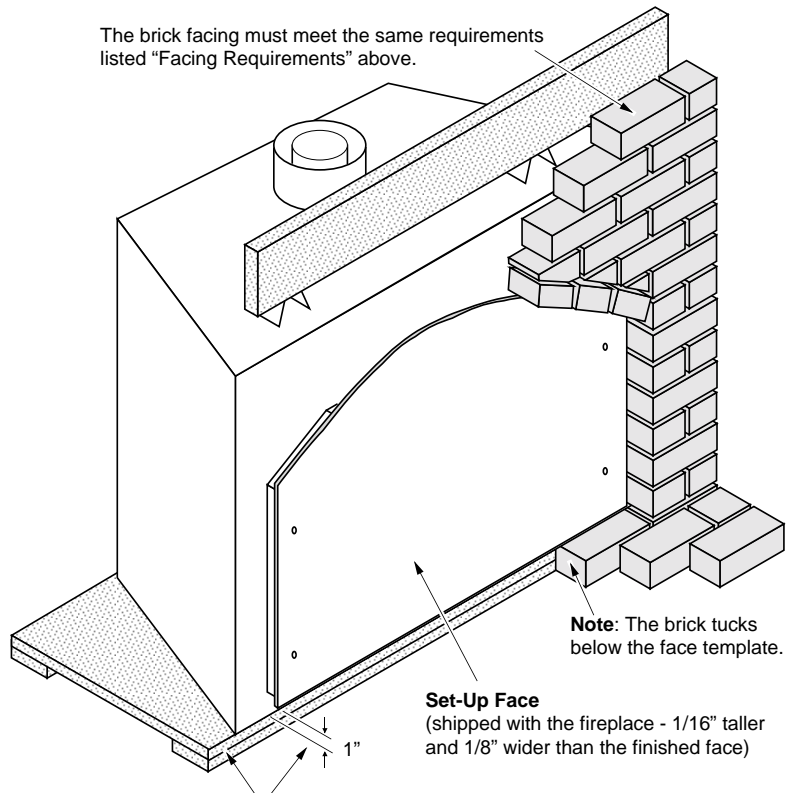
NOTE: The facing may be attached to the front of the fireplace with screws. Do not penetrate the fireplace more than 3/4".



Facing Over 1" Thick

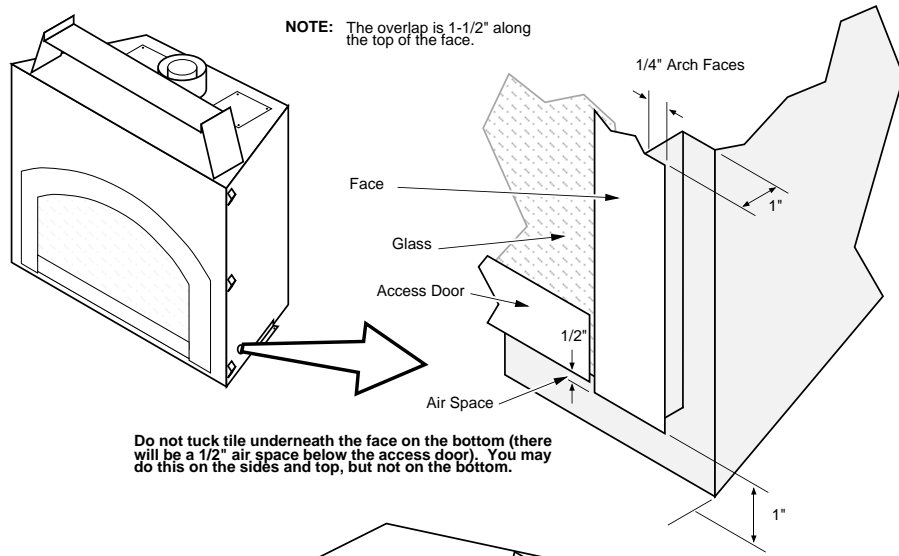
- If the facing material is over 1" thick (e.g. brick, river rock), install the facing around the perimeter of the set-up face shipped with the fireplace. See the illustration to the right.
- Artisan faces vary in size. Use the face being installed to create a template.

The brick facing must meet the same requirements listed "Facing Requirements" above.

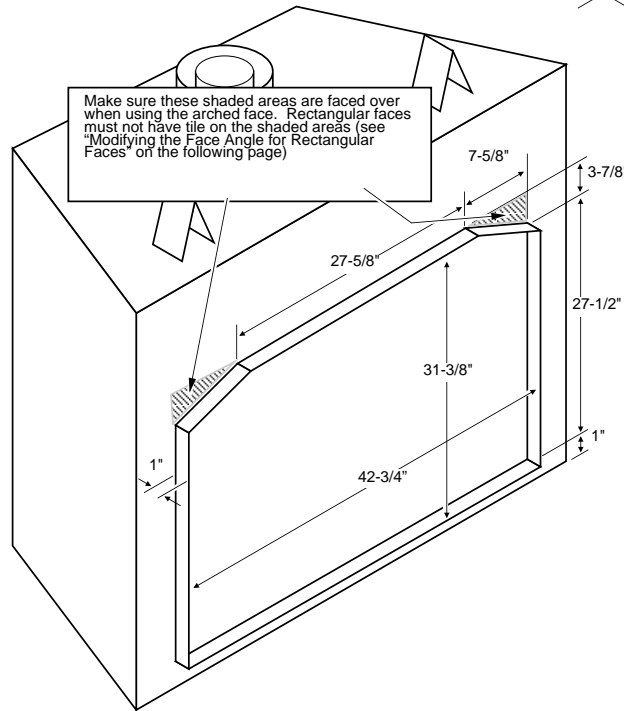


Note: if using a brick hearth, the fireplace will need to be raised to accommodate the 1" gap between the face and the base of the fireplace. For 2-1/2" thick brick this works out to approximately 1-1/2" (we recommend 1-5/8" to accommodate irregular surfaces).

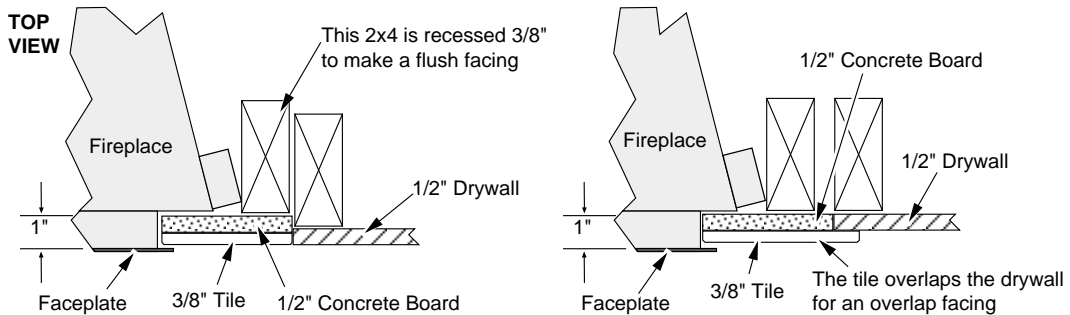
Facing Detail



Do not tuck tile underneath the face on the bottom (there will be a 1/2" air space below the access door). You may do this on the sides and top, but not on the bottom.

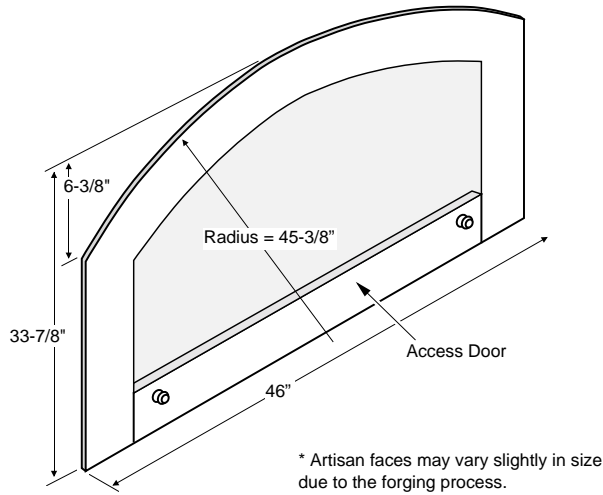


- To achieve a facing that is flush with the drywall to the side of the fireplace, recess the framing directly next to the fireplace. See the illustration below.

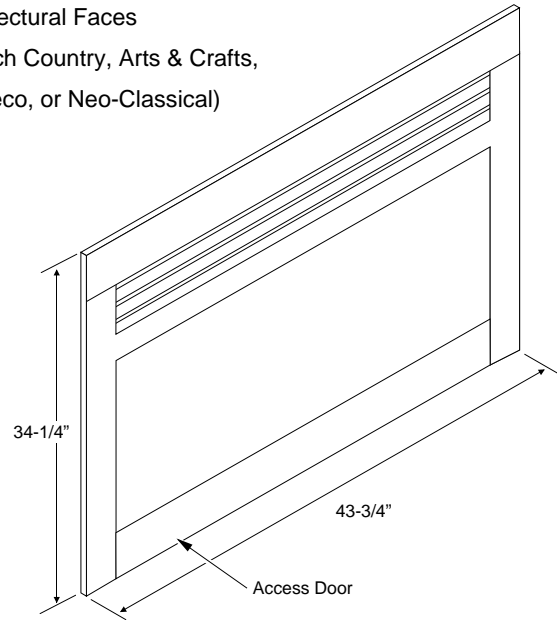


Face Dimensions

Classic Arched
(Gold, Black, or Artisan*)

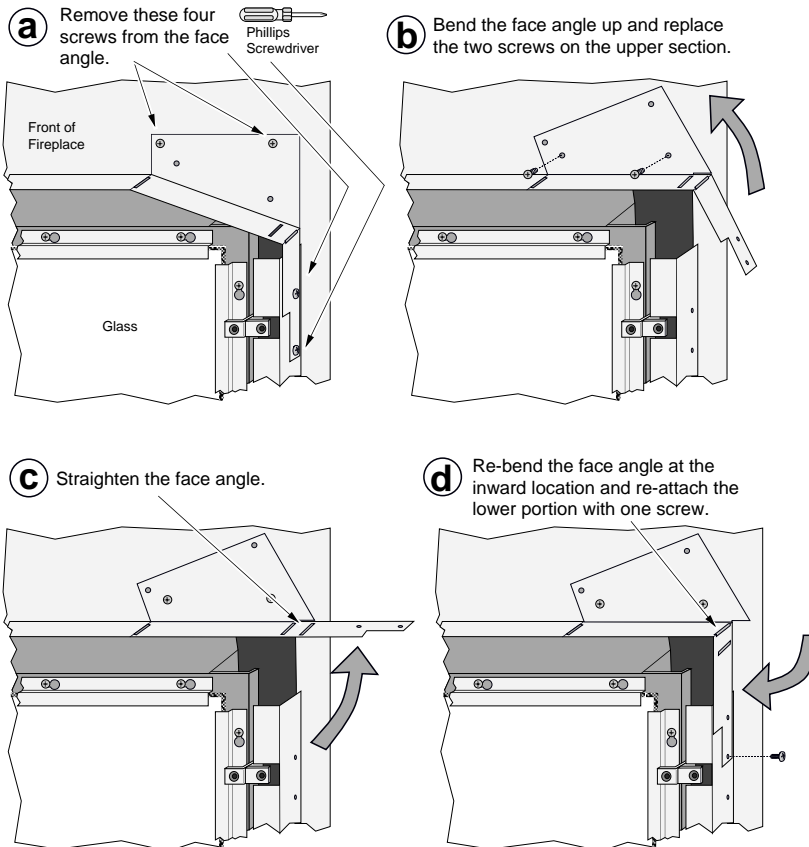


Architectural Faces
(French Country, Arts & Crafts,
Art Deco, or Neo-Classical)



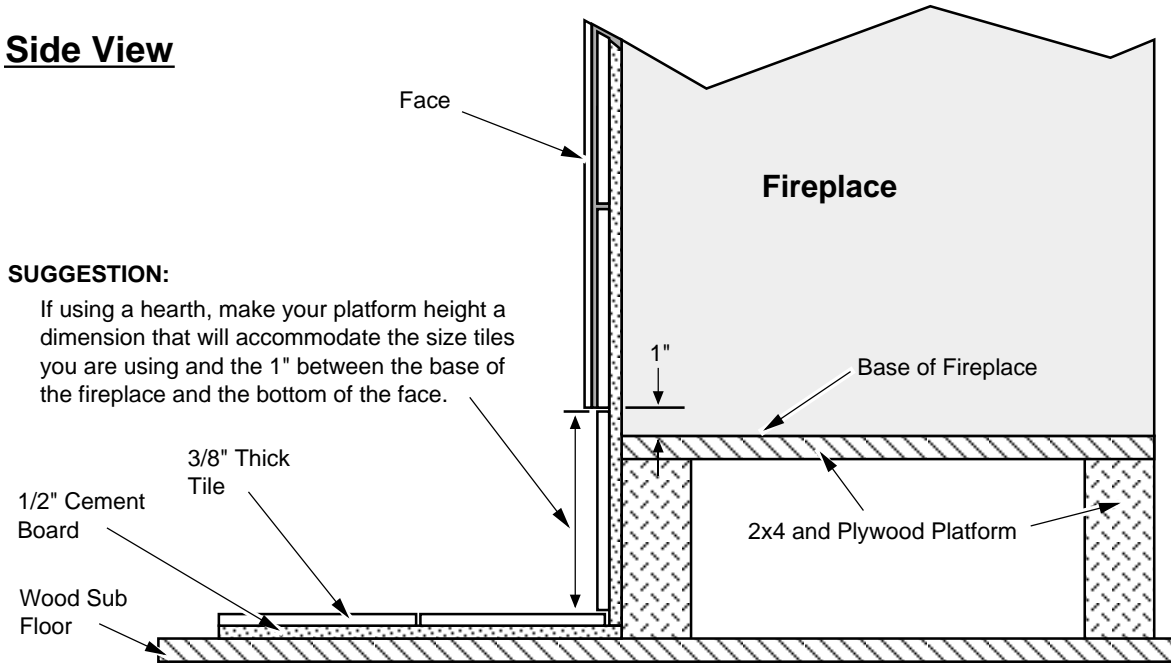
Modifying the Face Angle for Rectangular Faces

If using a rectangular face, adjust the face angles at the top corners of the glass (see illustration below).



Facing and Hearth Examples

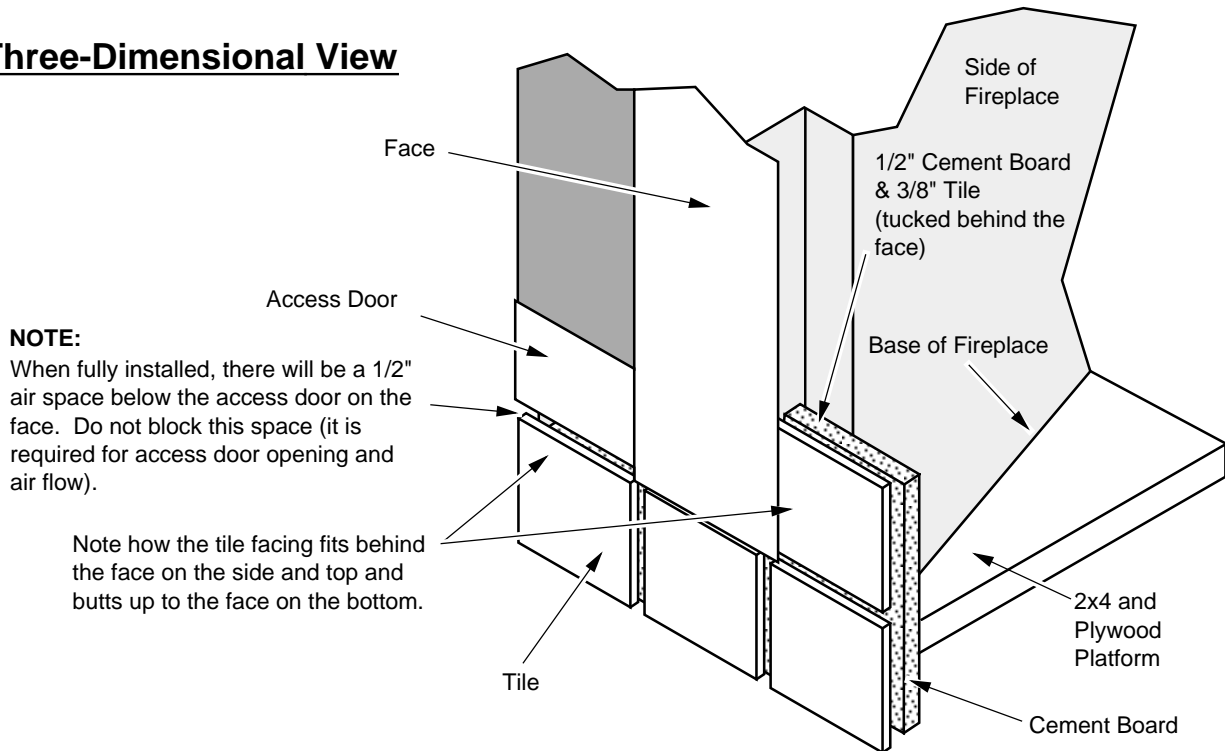
Side View



SUGGESTION:

If using a hearth, make your platform height a dimension that will accommodate the size tiles you are using and the 1" between the base of the fireplace and the bottom of the face.

Three-Dimensional View



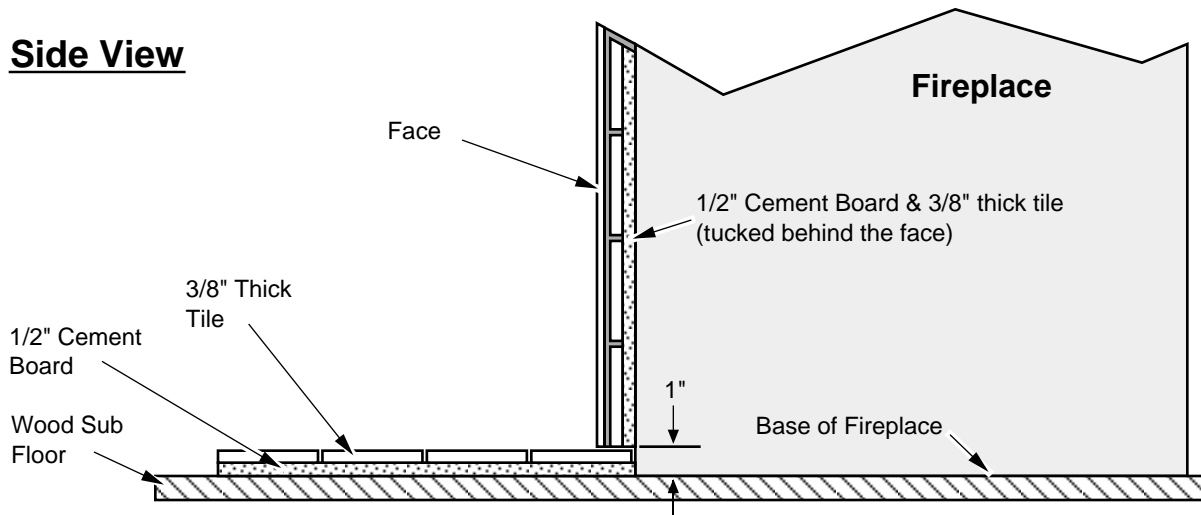
NOTE:

When fully installed, there will be a 1/2" air space below the access door on the face. Do not block this space (it is required for access door opening and air flow).

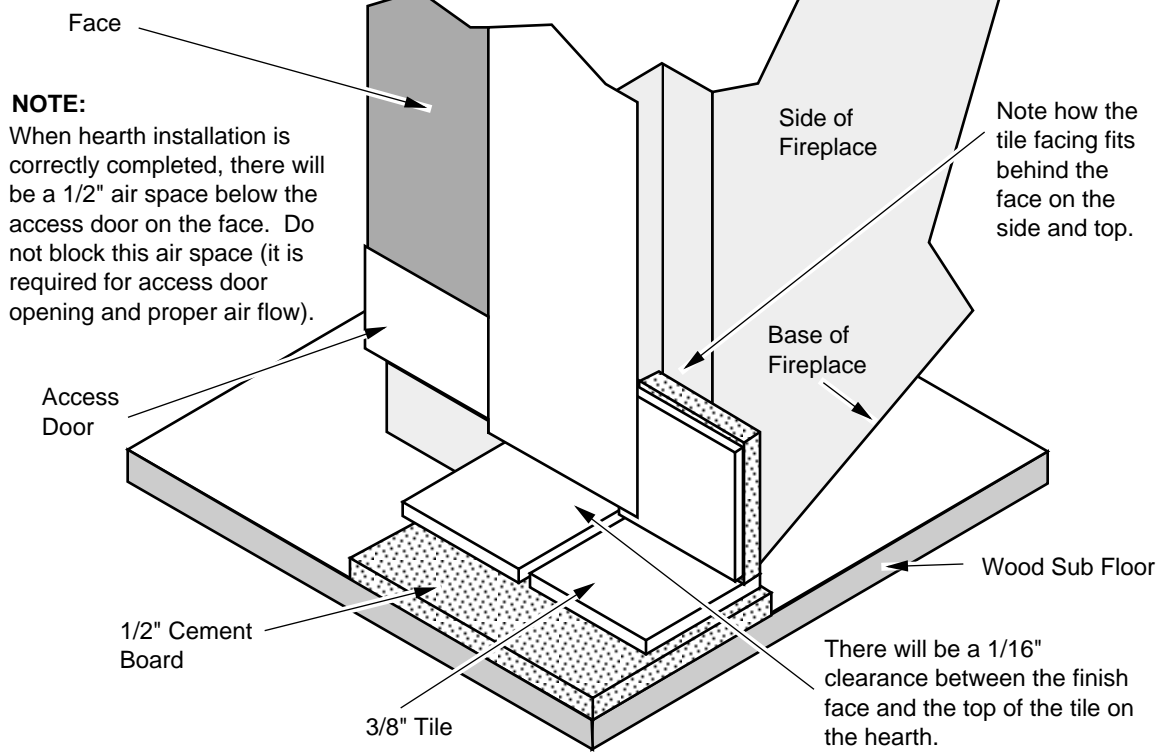
Note how the tile facing fits behind the face on the side and top and butts up to the face on the bottom.

Facing and Hearth Examples (continued)

Side View



Three-Dimensional View

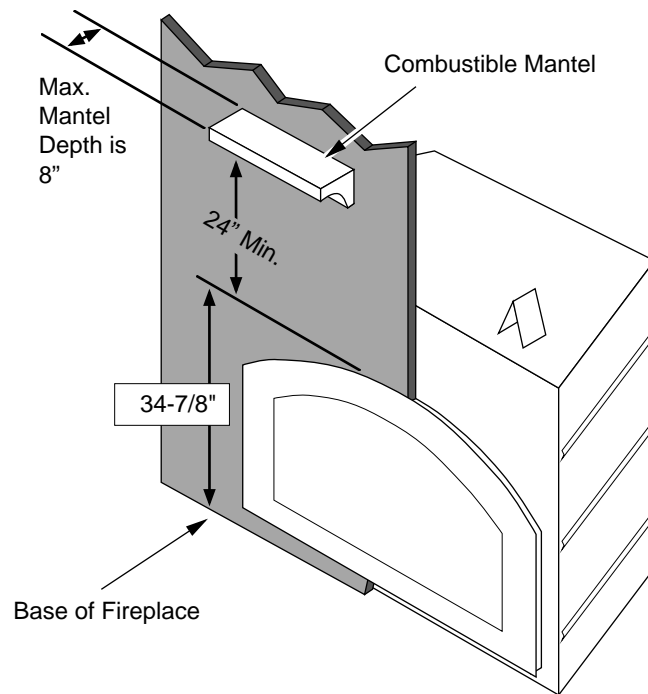


WARNING: Do not install cement board underneath the fireplace. To do so would leave a large gap underneath the finish faceplate sides.

Mantel Requirements

- The combustible area above the facing must not protrude more than $\frac{3}{4}$ " from the facing. If it does, it is considered a mantel and must meet the mantel requirements listed in this manual.

Combustible or Non-Combustible Mantels



Vent Requirements

- ! The vent must maintain the required clearance to combustible materials to prevent a fire (see "Clearances" below). Do not fill air spaces with insulation.
- ! The gas appliance and vent system must be vented directly to the outside of the building, and never be attached to a chimney serving a separate solid fuel or gas-burning appliance. Each direct vent gas appliance must use its own separate vent system.

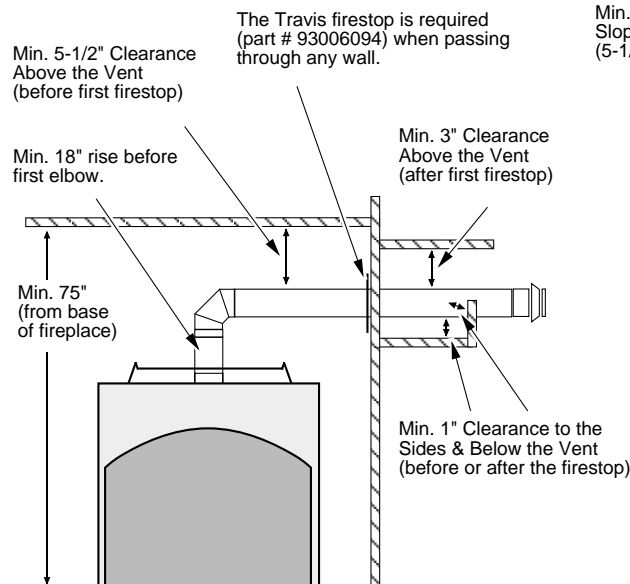
Altitude Considerations

This heater has been tested at altitudes ranging from sea level to 8,000 feet (2,400 M). In this testing we have found that the heater, with its standard orifice, burns correctly with just an air shutter adjustment.

- ! Failure to adjust the air shutter properly may lead to improper combustion which can create a safety hazard. Consult your dealer or installer if you suspect an improperly adjusted air shutter.

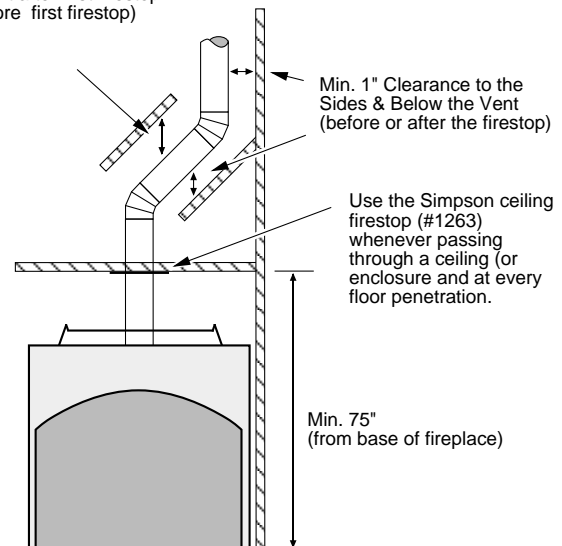
Clearances

Horizontal Runs



Vertical Sections

Min. 3" Clearance Above 45° Sloping Vent after first firestop (5-1/2" before first firestop)



Part Numbers for 8" Diameter Vent

- Use 8" diameter Model GS Direct Vent manufactured by Simpson Dura-Vent **only**. Follow the installation instructions included with the vent. For the nearest Simpson Dura-Vent supplier, call (800) 835-4429. Vent part numbers and descriptions are listed below.

Straight Lengths

1208B	6" Pipe Length, Black
1207B	9" Pipe Length, Black
1206B	12" Pipe Length, Black
1204B	24" Pipe Length, Black
1203B	36" Pipe Length, Black
1202B	48" Pipe Length, Black
1211B	11" to 14-5/8" Adjustable, Black

Terminations

1284	Horizontal Square Termination
1285	Hor. High Wind Termination
1250	Vinyl Siding Stand-off
1291	Travis Vertical Termination

Penetration, Support

93006094	Travis Firestop
1241	Cathedral Ceiling Support Box
1288	Wall Strap
1263	Ceiling Firestop

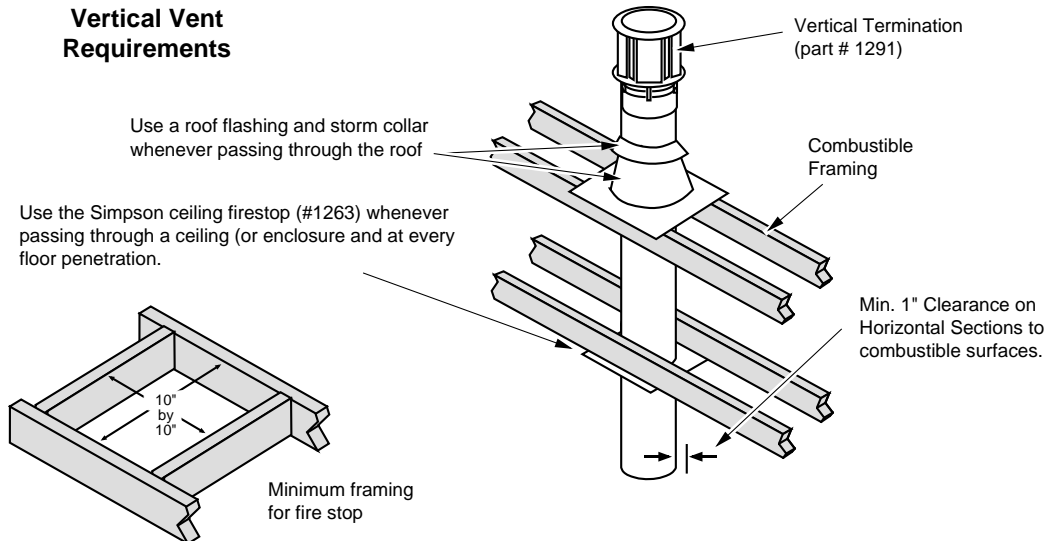
Elbows

1245B	45° Elbow, Black
1290B	90° Elbow, Black

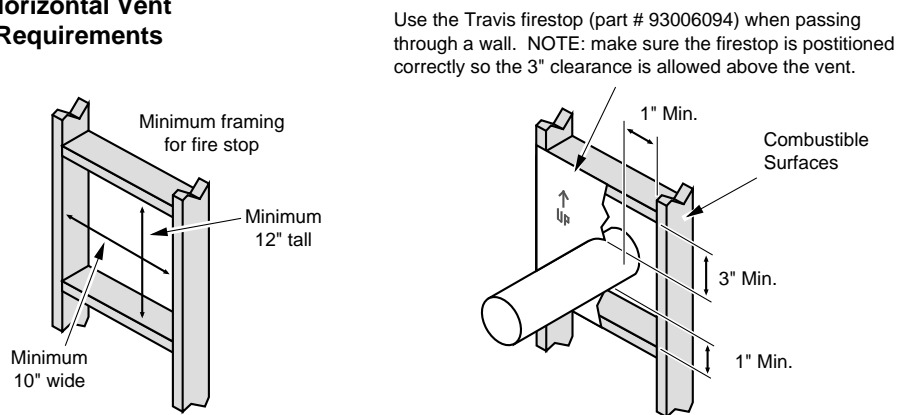
Vent Installation

- In addition to the requirements below, follow the requirements provided with the vent.

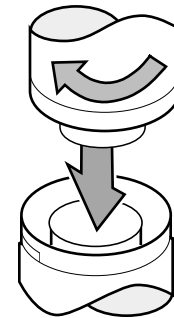
Vertical Vent Requirements



Horizontal Vent Requirements



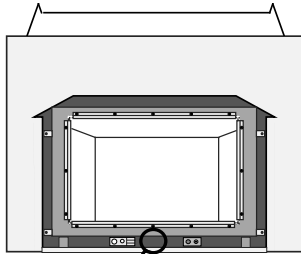
- Slide the vent sections together and turn 1/4 turn until the sections lock in place.
- Screws are not required to secure the vent. However, three screws may be used to secure vent sections together if desired.
- High temperature sealant is recommended at the appliance starter section connection (use high-temperature silicone or Mill-Pac®).
- If disassembly is required, at time of re-assembly check to see if the vent creates a tight fit. If it does not, apply high temperature sealant to the joints of the affected sections.
- Horizontal sections require a 1/4" rise every 12" of travel
- Horizontal sections require non-combustible support every three feet (e.g.: plumbing tape)



Approved Vent Configurations

Restrictor Position

- A vent restrictor is built into the appliance to adjust the flow rate of exhaust gases. This ensures proper combustion for all vent configurations. Depending upon the vent configuration, you may be required to adjust the restrictor position. The charts for acceptable vent configurations detail the correct vent restrictor position.



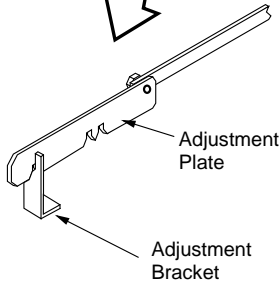
To Access the Restrictor:
With the fireplace cool, reach behind the gas control valve.

WARNING: Use a glove to protect your hand from burns.

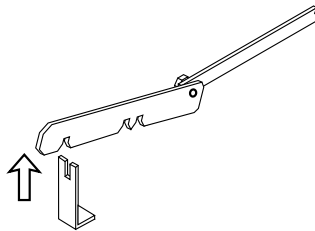
NOTE: The fireplace is shipped with the restrictor in position #1 (fully open).

To Adjust the Restrictor:

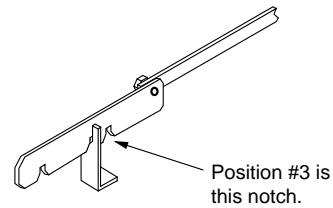
- Determine the correct restrictor position (see the charts under "Approved Vent Configurations" - the factory position is #1).
- Lift up the adjustment plate and move it so the correct notch falls into the slot on the adjustment bracket.



This restrictor is in position 1 (factory setting).



To adjust, lift up on the adjustment plate and pull it forward.



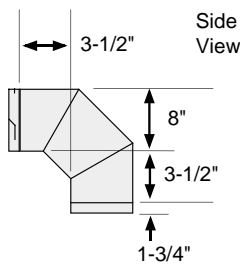
This restrictor is in position 2.

Elbows

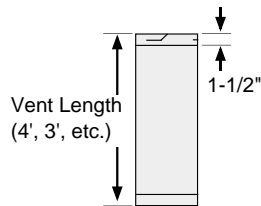
- See the vent configurations for details on how many elbows may be used and in what manner.

NOTE: one 45° elbow may be used between two horizontal sections.

Elbows add 3-1/2" to the length of the vent system.

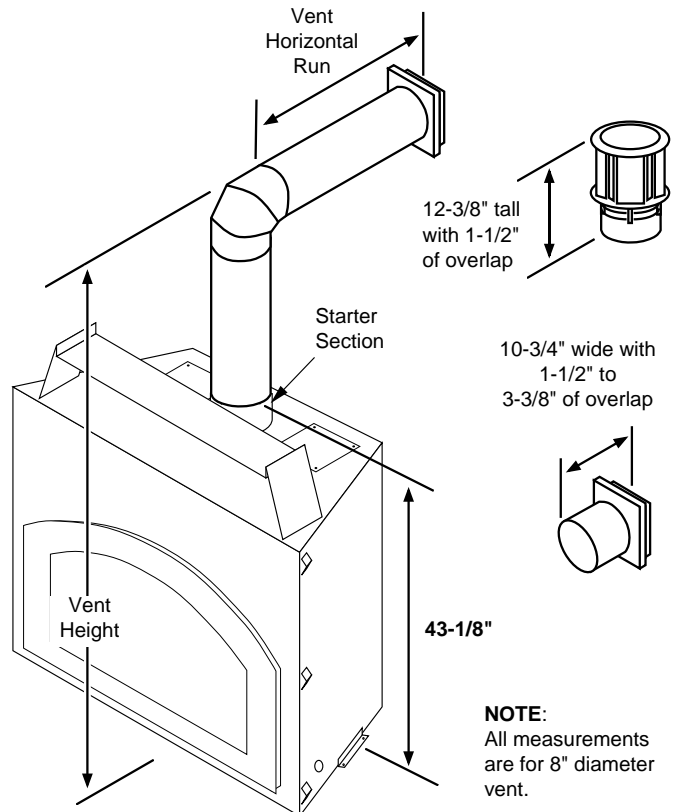


Vent sections overlap each other by 1-1/2"



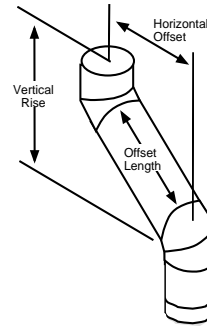
EXAMPLE:
Two 4' lengths are 7' 10-1/2" long, but when attached to the vent system add 7' 9" to the vent height.

Measuring Vent Lengths



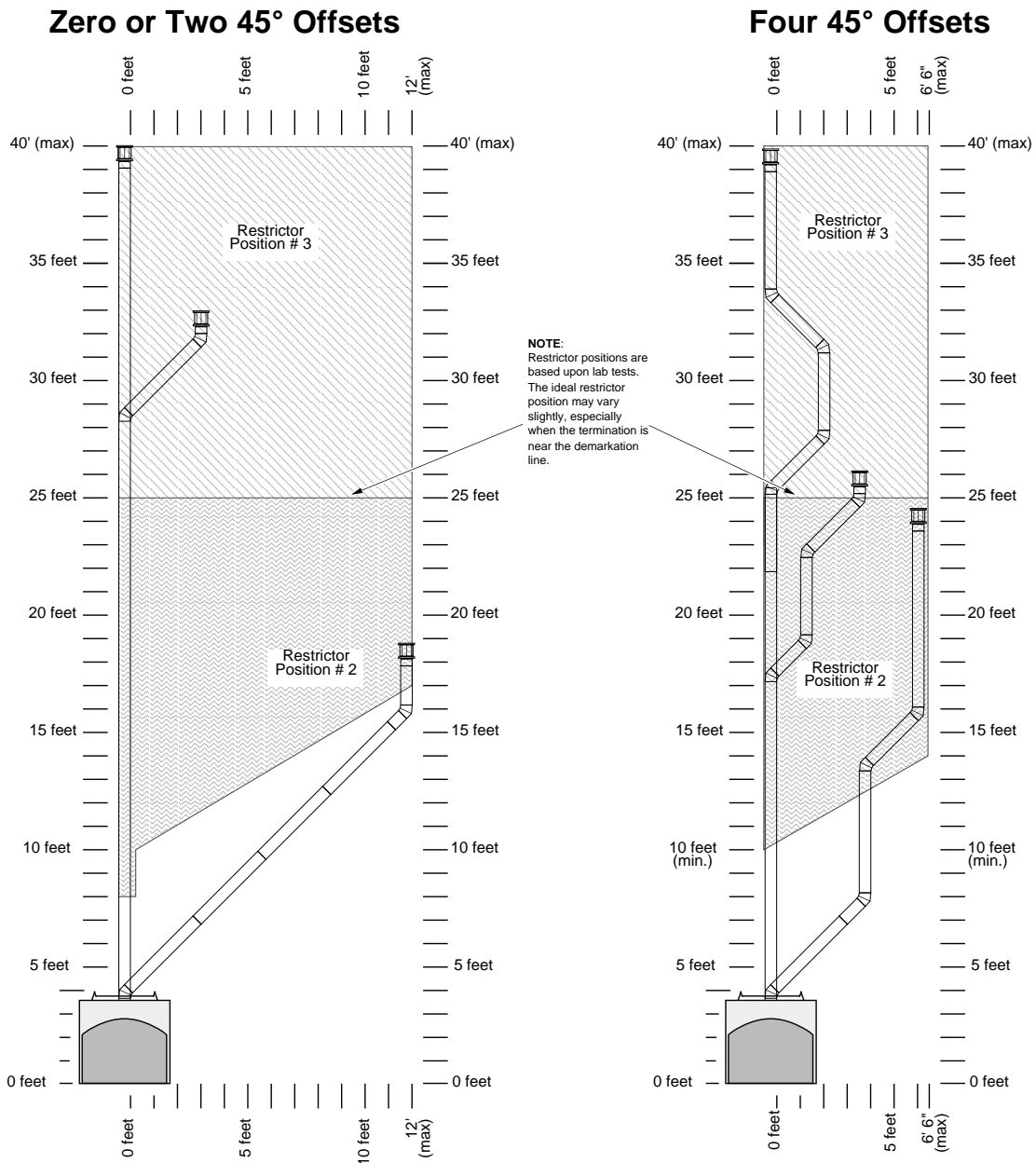
Vertical Terminations with 0, 2, or 4 45° Offsets

- Use 8" diameter co-axial vent
- A Maximum of Four 45° Elbows May be Used
- 8' Minimum System Height (without offsets)
- 40' Maximum System Height
- 12' Maximum Horizontal Offset (6' 6" for 4 Offsets)



Offset Length	Hor. Offset	Vert. Rise
None	5"	1'
1' Section	1'	1' 7"
2' Section	1' 9"	2' 4"
3' Section	2' 5"	3'
4' Section	3' 2"	3' 8"

- The termination must fall within the shaded area shown in the chart. Use the indicated restrictor position.

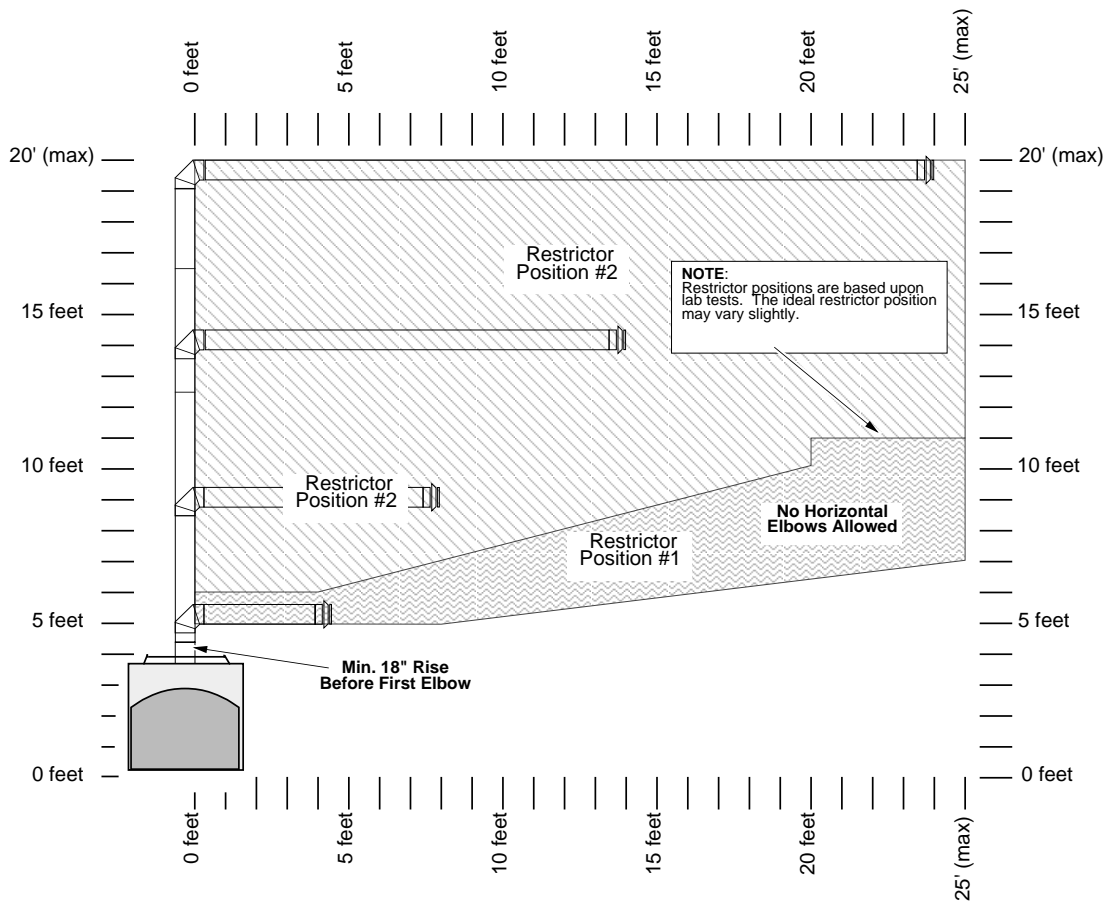
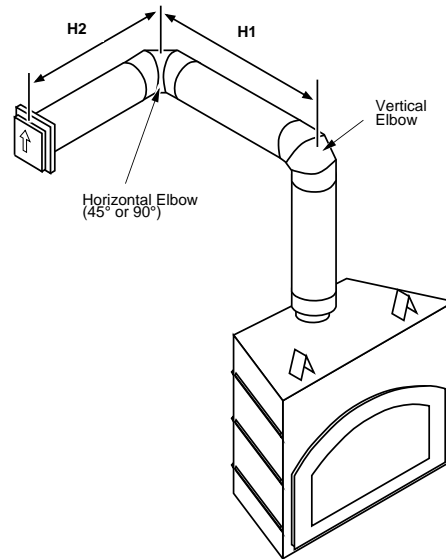


Horizontal Terminations with One Vertical Elbow

The termination must fall within the shaded area shown in the chart. Use the indicated restrictor position.

NOTE:

- One horizontal elbow (45° or 90°) is allowed (except in those configurations that lie in the region under "Restrictor Position #1" below). The horizontal vent length is calculated by adding the length before and after the elbow ($H1 + H2 = \text{horizontal vent length}$).
- Horizontal sections require a 1/4" rise every 12" of travel.
- The maximum vertical height is 20'.
- The maximum horizontal length is 25'.

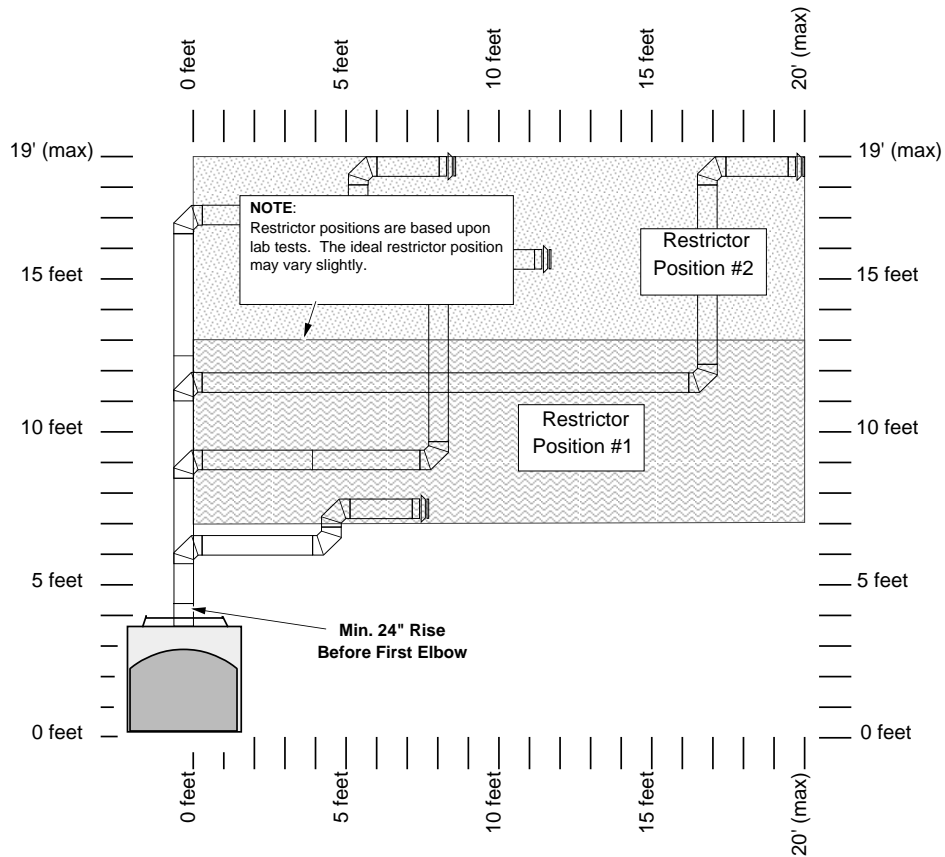
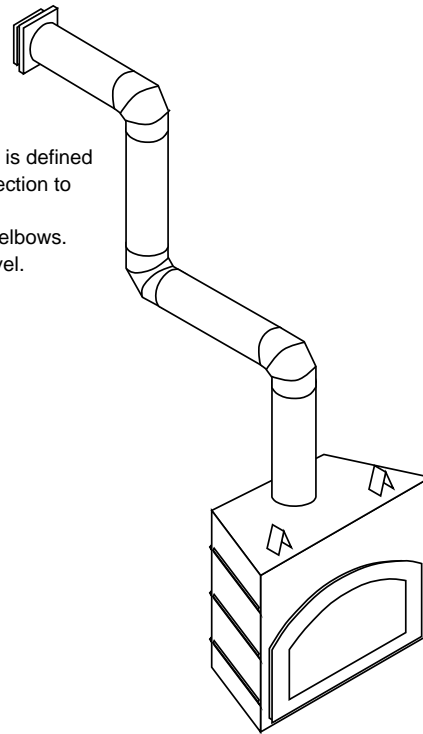
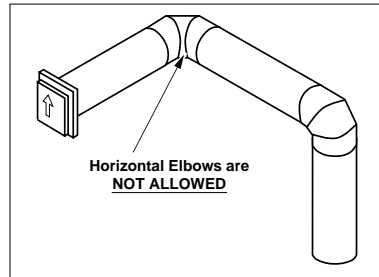


Horizontal Terminations with Three Vertical Elbows

The termination must fall within the shaded area shown in the chart. Use the indicated restrictor position.

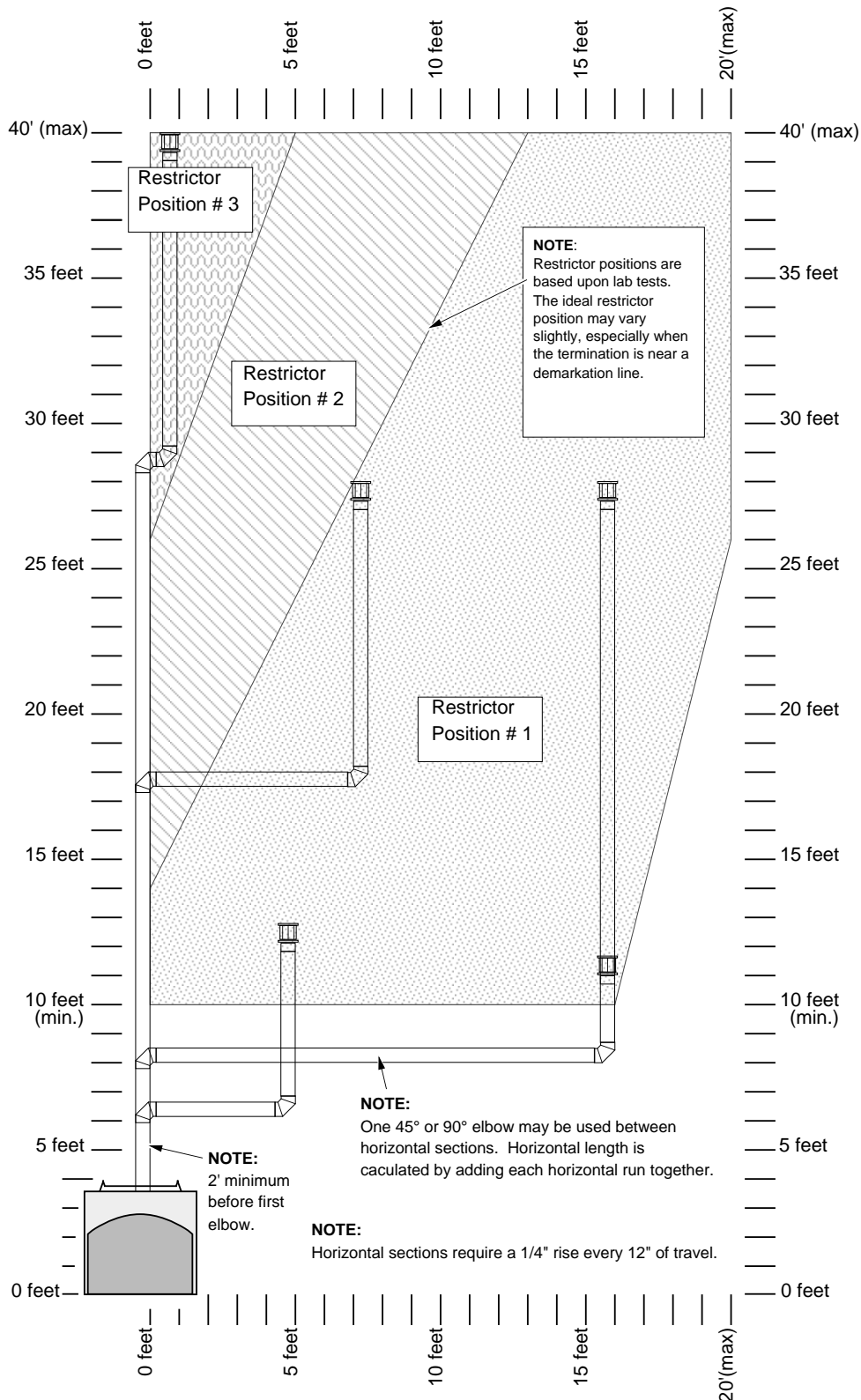
NOTE:

- A total of three elbows must be used.
- No horizontal elbows may be used (a horizontal elbow is defined as an elbow that directs the vent from a horizontal direction to another horizontal direction).
- Two 45° elbows may be substituted for two of the 90° elbows.
- Horizontal sections require a 1/4" rise every 12" of travel.
- The maximum vertical height is 19'.
- The maximum horizontal length is 20'.



Vertical Terminations with Two Vertical 90° Elbows

The termination must fall within the shaded area shown in the chart. Use the indicated restrictor position.



Termination Requirements (see the illustration below)

! Venting terminals shall not be recessed into a wall or siding.

A Minimum 9" clearance from any door or window

B Minimum 12" above any grade, veranda, porch, deck or balcony

C Minimum 12" from outside corner walls

D Minimum 12" from inside corner walls

E Minimum 11" clearance below unventilated soffits or roof surfaces

Minimum 18" clearance below ventilated soffits

Minimum 6" clearance from roof eaves

NOTE: Vinyl surfaces require 24"

F Minimum 18" clearance below a veranda, porch, deck or balcony (must have two open sides)

G Minimum 48" clearance from any adjacent building

H Minimum 84" clearance above any grade when adjacent to public walkways or driveways

NOTE: may not be used over a walkway or driveway shared by an adjacent building

I Minimum 48" clearance from any mechanical air supply inlet, 72" for Canada

J Minimum 36" clearance above and 48" below and to the sides of non-mechanical air supply inlet

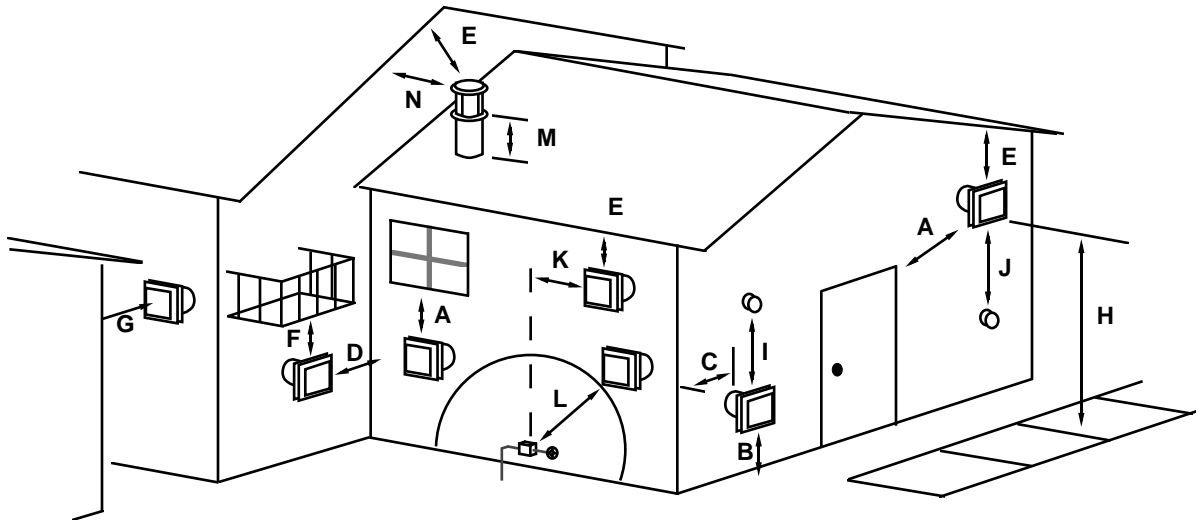
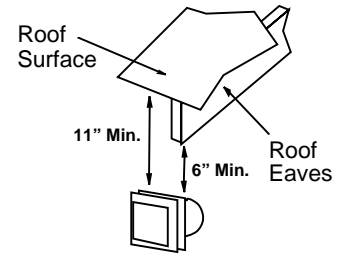
K Minimum 36" from the area above the meter/regulator (vent outlet)

L Minimum 36" from the meter/regulator (vent outlet)

M Minimum 12" above the roof line (for vertical terminations)

***Note:** In Canada the vent termination must be a minimum 2' (.6 M) tall and 2' (.6 M) above any portion of the roof within 10' (3 M) of the vent.

N Minimum 24" horizontal clearance to any surface (such as an exterior wall) – for vertical terminations



NOTE: Measure clearances to the nearest edge of the exhaust hood.

- Use the vinyl siding standoff (#1250) when installing on an exterior with vinyl siding.
- Vent termination must not be located where it will become plugged by snow or other material
- These clearances meet UMC-1994 and the CNA/CGA-B149 code standards.

Gas Line Requirements

- ! The gas line must be installed in accordance with all local codes, if any; if not, follow ANSI 223.1 and the requirements listed below.
- ! The fireplace and gas control valve must be disconnected from the gas supply piping during any pressure testing of that system at test pressures in excess of 1/2 psig. For pressures under 1/2 psig, isolate the gas supply piping by closing the manual shutoff valve.
- ! Leak test all gas line joints and the gas control valve prior to and after starting the fireplace.

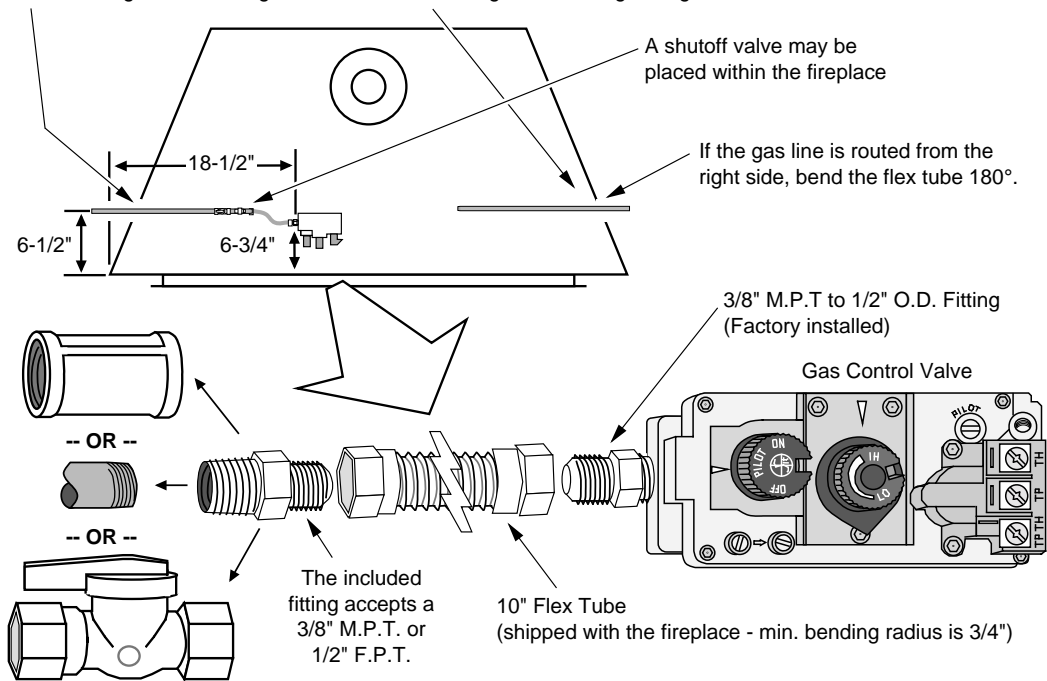
Fuel

- This fireplace is designed either for natural gas or for propane (but not for both). Check the sticker on the top of the gas control valve to make sure the correct fuel is used.

Gas Line Connection

- A manual shutoff valve is required for installation (within 3' of the heater or inside the fireplace). T-Handle gas cocks are required in Massachusetts in compliance with code 248CMR.

The 1" diameter access hole is located 2-3/8" above the base of the fireplace. Cut an "X" in the gasket covering the inlet and insert the gas line through the gasket.



Gas Inlet Pressure:

	Standard Input Pressure
Natural Gas	7" W.C. (1.74 kPA)
Propane	13" W.C. (2.73 kPA)

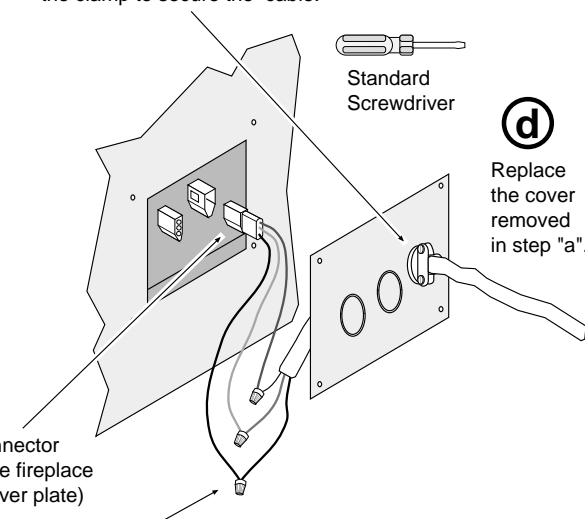
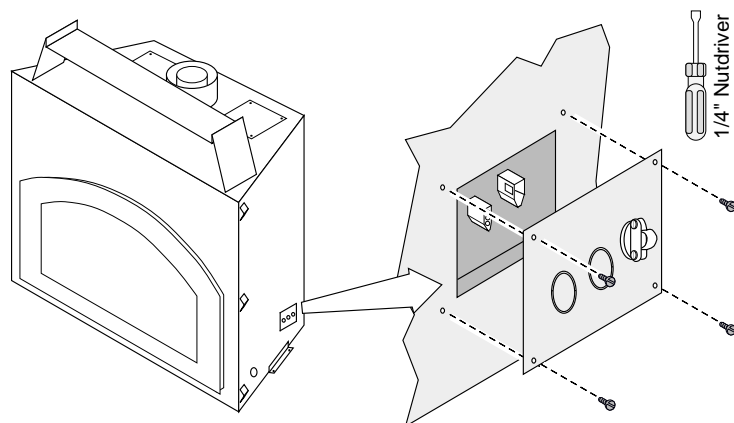
- If the pressure is not sufficient, make sure the piping used is large enough, the supply regulator is adequately adjusted, and the total gas load for the residence does not exceed the amount supplied.
- The supply regulator (the regulator that attaches directly to the residence inlet or to the propane tank) should supply gas at the suggested input pressure listed above. Contact the local gas supplier if the regulator is at an improper pressure.

Electrical Connection

- ! Make sure the household breaker is shut off prior to working on any electrical lines.
 - ! The appliance, when installed, must be electrically grounded in accordance with local codes or, in the absence of local codes, with the National Electrical Code, ANSI NFPA 70, or the Canadian Electrical Code, CSA C22.1.
 - The electrical line must be 14 gauge, and supply 120 Volts at 60 Hz (2 Amps)
- 1 Follow the directions below to connect power to the fireplace.

a Remove the cover from the fireplace junction box.

b Insert the sheathed cable from the power source through this cable clamp. Once the wires are attached, tighten the clamp to secure the cable.



d Replace the cover removed in step "a".

WARNING: Make sure power is off from the power lead before conducting any wiring.

c Attach the common (white), ground (exposed or green) wires, and hot (black) wires from the power source to the electrical connector (included with the fireplace). Then attach the connector to the fireplace.

NOTE:

If using the power heat duct, you may wish to route the wiring for it at this point. See the instructions under "Optional Equipment".

1 Remove the glass (and arch covers) following the directions below.

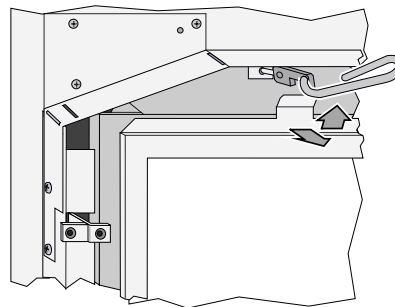
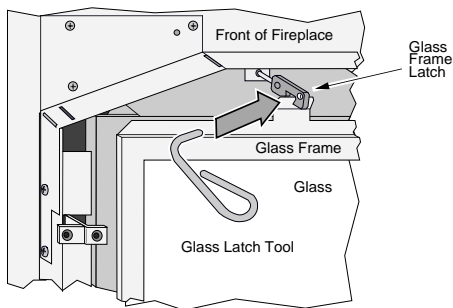
Warning: The appliance must be completely cool before removing the glass.

Warning: To prevent damage, do not abuse, strike, or slam the glass shut.

Note: Attach the arch covers after re-installing the glass.

(b) Insert the included glass latch tool into the hole on the glass frame latch.

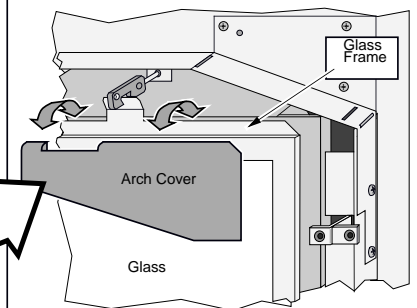
(c) Pull the latch out then up to detach it from the glass frame.



(d)

Hold the glass in place and repeat steps "a" and "b" for the other two top latches.

(a) Arch Covers (both sides)



The arch covers (included in the owner's pack) block light from exiting the scroll work on arched faces. The covers hang on the glass frame.

After replacing the glass, hang the arch covers over the glass frame before attaching the face.

(e)

Hold the bottom of the glass while swinging the top outwards. At approximately 45° the glass, with frame, can be pulled up and away. Set the glass aside to prevent damage.

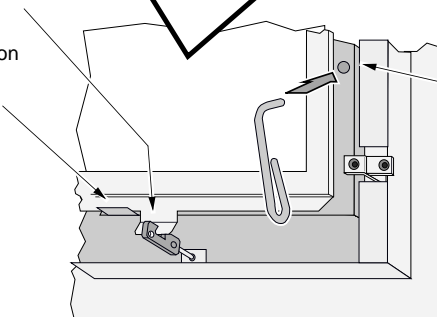
Glass Replacement

Make sure all three bottom latches are facing upwards

Position the glass at a 45° angle and lay it on the two tabs below the firebox. When correctly positioned, the tabs on the frame should insert into the bottom latches.

Swing the glass into place (make sure the bottom latches are engaged).

Re-attach the top latches (see steps "a" and "b" above).



NOTE:
A hole is provided here to store the glass latch tool.

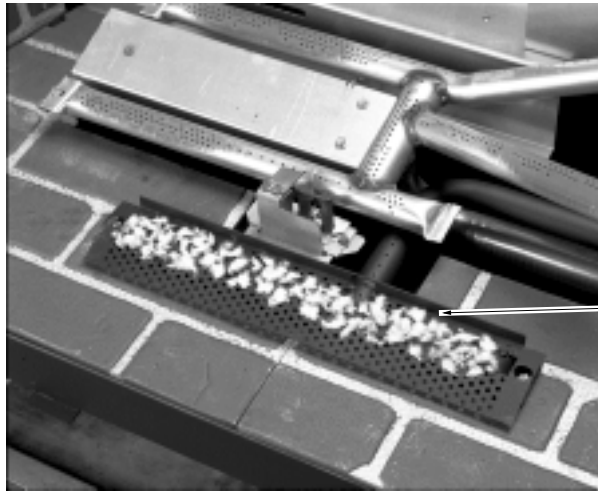
28 Finalizing the Installation (for qualified installers only)

- ? If converting this unit to propane, do so now (see the instructions on page 46).
- 2 Install the rock wool, log set, kibbles, and embers (if using the decorative fireback, install it prior to the log set - page 57).

Warning: Failure to position the parts in accordance with these diagrams or failure to use only parts specifically approved with this appliance may result in property damage or personal injury.

Note: If you have converted this appliance to propane (LP), the front burner air shutter may require adjustment. The front air shutter is adjusted with the logs removed.

(a) Rock Wool Installation



Preparing the Rock Wool:



The rock wool comes in one clump. Tear off "dime" sized clumps and flatten them out. The wool glows best when very thin and porous.

Place small pieces of rock wool directly over the burner holes on the front burner.

(b) Rear Log Installation (has a #1 stamped on bottom)

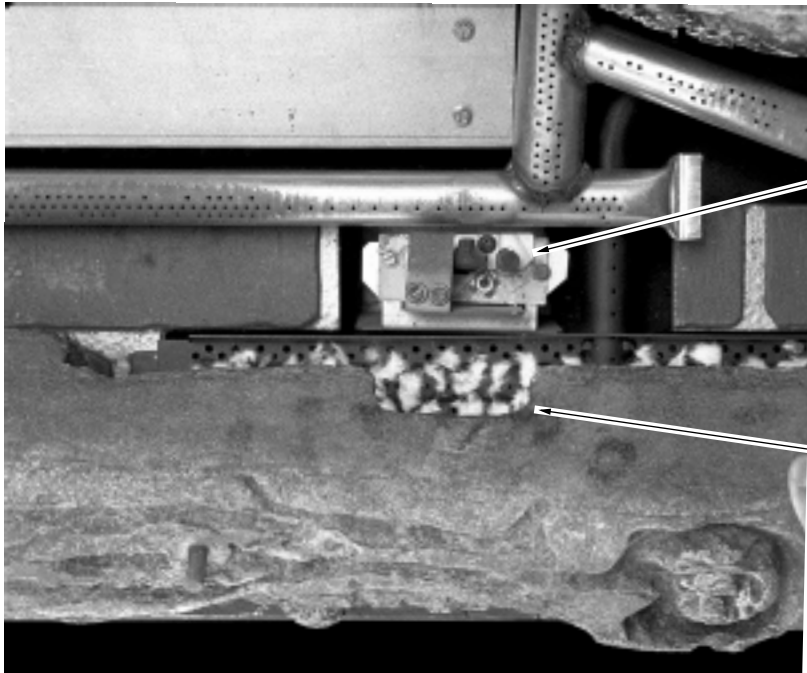


Place the rear log diagonally so this notch fits against the air deflector. Push the log all the way back.



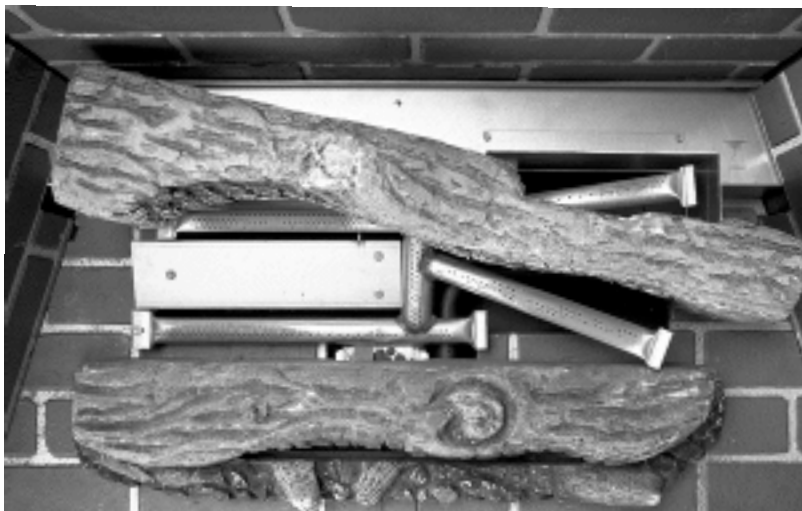
TOP VIEW

(c) Front Log Installation (has a #3 stamped on bottom)



Pilot Assembly

Place the front log. Note how the square notch on the log fits over the pilot assembly (this illustration shows the front log rotated forward).



TOP VIEW

30 Finalizing the Installation (for qualified installers only)

(d) Left Log Installation (has a #2 stamped on bottom)

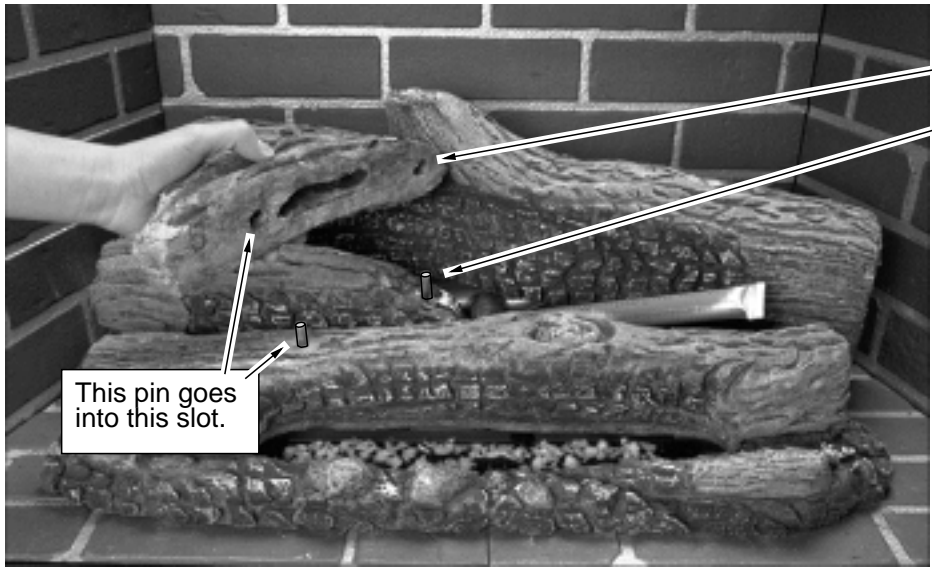


enter the left
og on this
edge. Slide the
og all the way
o the right.



OP VIEW

(e) *Left Twig Installation* (has a #5 stamped on bottom)



This pin goes into this slot.

Place the left twig so this hole lines up with this pin.

(f) *Right Twig Installation* (has a #4 stamped on bottom)



The right twig fits directly in front of this burner tube. When in place, the right side of the twig rests on the front log.

This end of the twig rests on the center burner tube.



- Log # 1 (93006054)
- Log # 2 (93006055)
- Log # 3 (93006056)
- Log # 5 (93006058)

TOP VIEW

Note how the right twig rests on the burner tube but does not block any burner holes.

Log # 4 (93006057)

32 Finalizing the Installation (for qualified installers only)

(g) Optional Coal "Kibble" and Steel Ember Installation

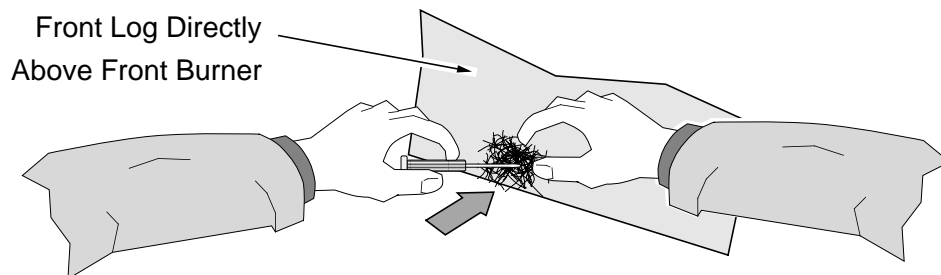


Kibbles may be placed on the tray welded to the front burner - do not place the kibbles directly over the burner holes.

Place the optional kibbles in front of the firebox.

Optional Steel Embers

Pull off a thin mat of metallic wool. Place it in front of the front log directly above the front burner. Use a small pocket knife or micro screwdriver to pierce the log and "embed" the metallic wool fibers into the log material (pierce the log approximately 1/8"). Pull the material away to leave a few strands embedded into the log.



Front Log Directly Above Front Burner

Metallic Wool Fibers

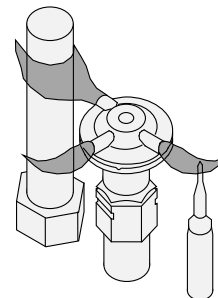
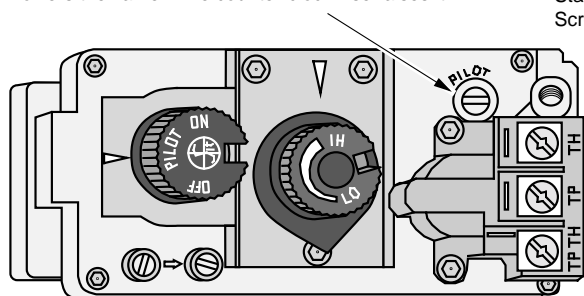
Repeat this process to embed several fibers into the log material.

- ! We recommend you purge the gas line at this time (with the glass removed). This allows gas to be detected once it enters the firebox, ensuring gas does not build up.
- 3 Replace the glass (and arch covers when using arched faces - see page 27).
- 4 Turn on the gas to the fireplace. Turn on gas to the heater. Leak test all gas joints prior to starting the appliance. Start the pilot (see page 37). Start the main burner. Leak test all gas joints again.
- 5 Check the pilot flame to make sure it looks like the illustration below. Adjust the pilot flame if necessary.

To adjust the pilot flame, turn this screw (NOTE: if totally unscrewed gas will come out of this port). Clockwise lowers the flame while counter-clockwise raises it.



The pilot flame must contact the thermocouple and thermopile (see the illustration below). Adjust the pilot up or down as necessary.

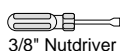


- 6 Let the heater burn for fifteen minutes. Adjust the rear air shutter, if necessary, to achieve the correct looking flame (see the illustration below).
- The air shutter adjusts the amount of air that mixes with the gas before it exits the burner holes. It is used to fine-tune the flame for differences in altitude and vent configuration.

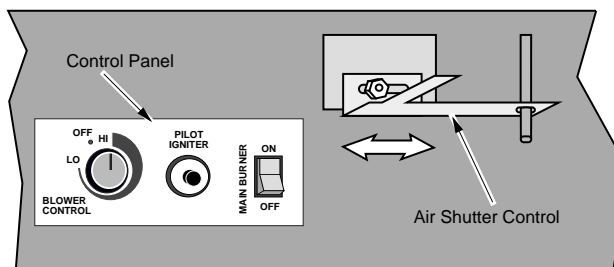
There are two air shutters on this model:

Main Burner (rear)

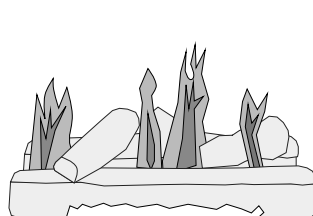
Loosen the nut on the air shutter control. Move the control left or right until the flame looks correct. Pushing to the right gives the flame less air (making it more orange). Pushing to the left gives the flame more air, making it more blue.



NOTE: If the air control is all the way open, yet the flames remain sooty, shut off gas to the fireplace and contact a qualified gas service technician.

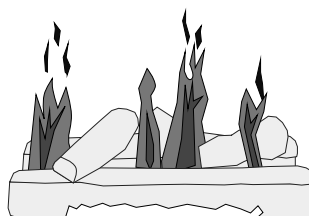


NOTE: The logs must be installed correctly to monitor the flame while adjusting the air shutter.



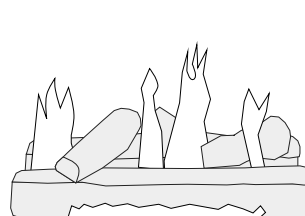
Correct

Flames should be blue at the base, yellow-orange on the top.



Not Enough Air

If the flames are over 14" tall or sooty on the ends, open the air shutter.



Too Much Air

If the flames are all blue and short, close the air shutter.

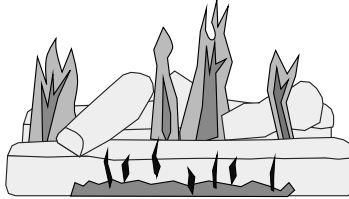
- ! If the air shutter is in its fully open position, yet the flames remain sooty, shut off gas to the heater and contact your Travis Industries Dealer for a remedy.

34 Finalizing the Installation (for qualified installers only)

Adjust the front air shutter if necessary.

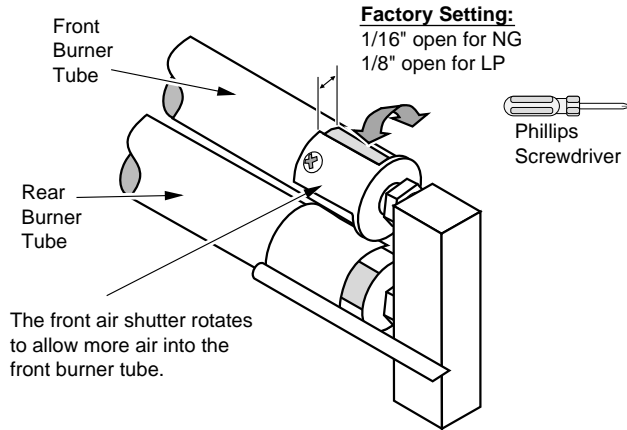
Front Burner (front)

The front burner rarely requires adjustment. The front burner flames are used to make the rock wool glow, and do not rise more than an inch off of the burner tube. If the flames are sooty, follow the instructions for opening the front burner air shutter.

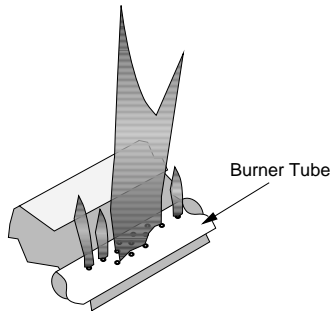


Adjusting the Front Burner

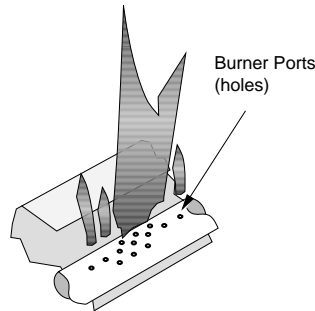
Turn the heater off and let it cool completely. Remove the glass and logs. Locate the front burner air shutter, loosen the lock screw holding the shutter in place, and rotate the air shutter to a more open position. Replace the components and re-evaluate the front burner flame.



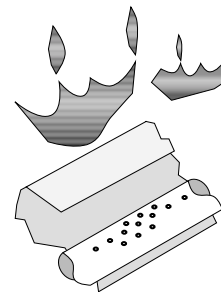
- ! If the vent configuration is installed incorrectly the vent may cause the flames inside the fireplace to lift or "ghost" – a dangerous situation. Inspect the flames after installation to insure proper performance. If the vent configuration is correct, yet the flames are lifting or ghosting, shut off gas to the fireplace and contact the dealer for information on remedying the problem.
- ! This fireplace has been tested at altitudes up to 8,000 feet. In this testing we have found that the fireplace, with its standard orifice, burns correctly with just an air shutter adjustment. If local codes require resizing the orifice, in the U.S.A. refer to ANSI 223.1, Appendix P, in Canada B-149.1 or B-149.2
- ! **Failure to properly adjust the air shutter may lead to improper combustion and a safety hazard. Consult your dealer or installer if you suspect an improperly adjusted air shutter.**



The flames should burn right off the top of the burner ports (if they are too blue, adjust the air control).

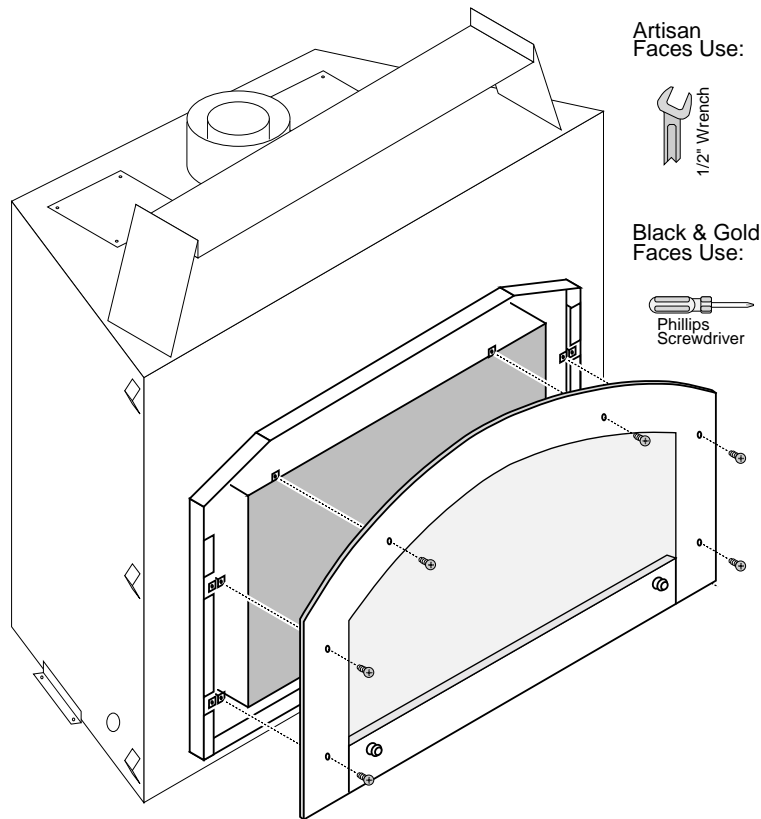


If the flames are lifting, yet the vent configuration is correct, contact your dealer.



If the flames are ghosting, yet the vent configuration is correct, contact your dealer.

- 7 Turn the flame adjust knob to its highest position - the flames should be approximately 12" tall. Check the flame on low position. The flames should burn off of each burner hole. If the heater does not work correctly, contact your dealer for a remedy.
- 8 Install the faceplate.
- ! **ACID WASH WARNING:** Before installing the faceplate, make sure any masonry that has been treated with acid wash has been properly neutralized (this is used primarily with brick faces). Acid wash (muriatic acid) is used to remove excess mortar. If not properly neutralized with an ammonia solution, the gold face may develop a permanent tarnish when the acid evaporates over time. Contact your dealer if uncertain your facing has been properly neutralized.



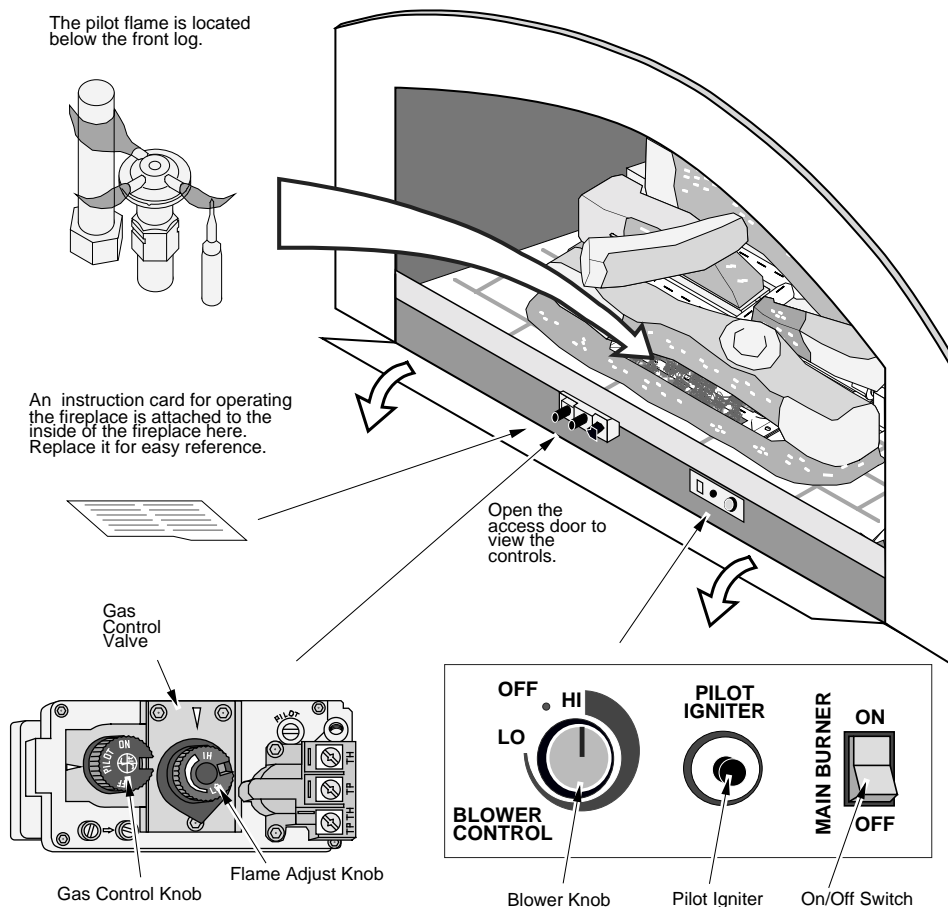
- 9 Give this manual to the home owner and fully explain the operation of this heater.

Before You Begin

Warning: Read this entire manual before you use your new fireplace (especially the section "Safety Precautions" on pages 2 & 3). Failure to follow the instructions may result in property damage, bodily injury, or even death.

Warning: Do not operate appliance with the glass front removed, cracked or broken. Replacement of the glass should be done by a licensed or qualified service person.

Location of Controls - See explanation below



- Blower Knob** This knob controls the speed of the internal convection blower that pushes the heated air into the room.
- On/Off Switch** This control is used to turn the fireplace on and off.
- Pilot Igniter** The pilot igniter is used only to start the pilot. When pressed, it sends an electrical charge to the pilot assembly. This creates a blue spark directly next to the pilot, igniting the pilot flame.
- Gas Control Knob** This knob controls gas to the stove and pilot. There are three positions: ON, OFF, and PILOT. The indicator line is to the left of the knob.
- Flame Adjust Knob** This knob controls the flame height from low ("LO") to high ("HI"). The indicator line is above the knob.

? If using a remote control or thermostat, the On/Off Switch must be left "ON". Turning the On/Off Switch "OFF" will keep the fireplace off always.

Starting The Pilot Flame

The pilot flame is required to ignite the main burners (it also plays a safety role). It should be left on once lit. It will stay lit unless the gas control valve is turned to "OFF". However, the pilot will go out if the gas is shut off, the propane tank runs out (or low) or if the stove malfunctions. If the pilot turns off frequently, call your dealer for information. To start the pilot follow the directions below:

WARNING:

When lighting or re-lighting the pilot, the glass must be removed (see page 27).

- a Remove the glass (see page 27 for details).
- b Push the gas control knob in slightly and turn it to the "OFF" position. The knob will not turn from "ON" to "OFF" unless the knob is depressed slightly. Wait five minutes to let any gas that may have accumulated inside the firebox escape. If you smell leaking gas, follow the directions on the cover "IF YOU SMELL GAS".
- c Turn the gas control knob to the "PILOT" position and press the knob in, this will allow gas to flow to the pilot light. Press the button on the pilot igniter repeatedly until you see the pilot light.

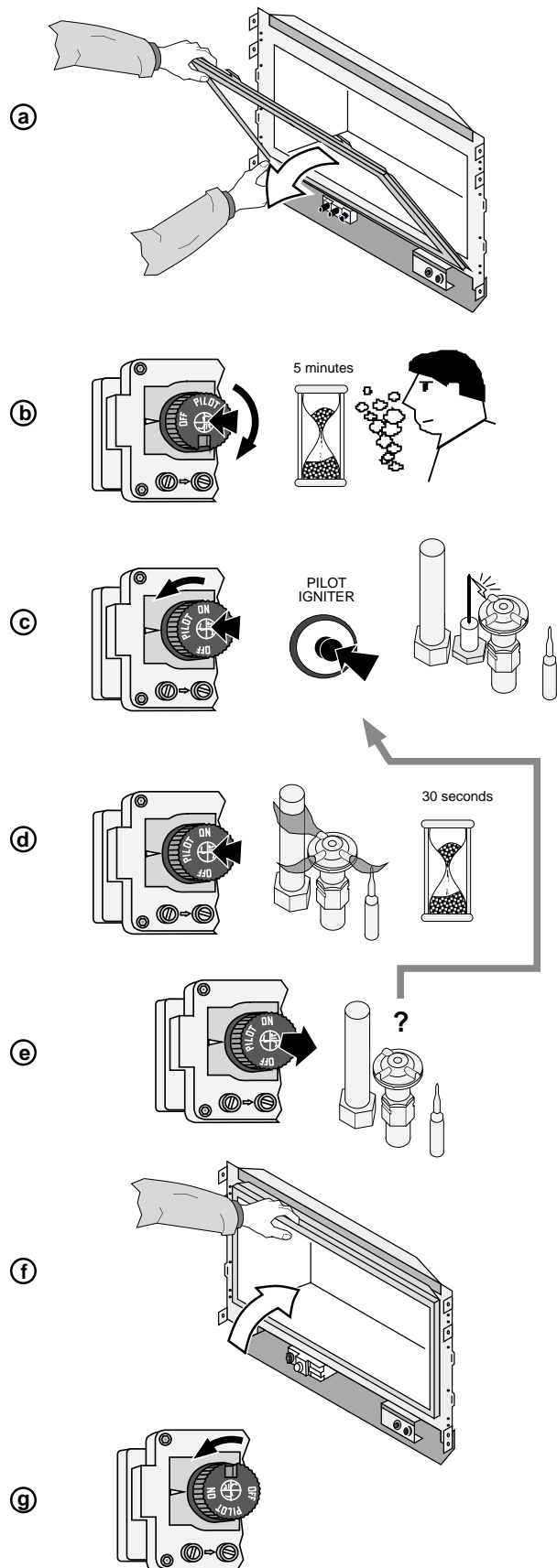
WARNING:

If the pilot does not light after 15 seconds, release the knob and call your dealer for service. Do not attempt to light pilot until service has been performed.

NOTE:

You may wish to remove the log set to gain a better view of the pilot (see page 28).

- d Keep the gas control knob depressed for 30 seconds once it is lit.
- e Release the gas control knob. If the pilot goes out, repeat step C. If the pilot refuses to stay lit, call your dealer for service. With the pilot lit, proceed to step "f".
- f Replace the glass.
- g Turn the gas control knob counter-clockwise to "ON". The pilot is now lit and the heater can be turned on and off.

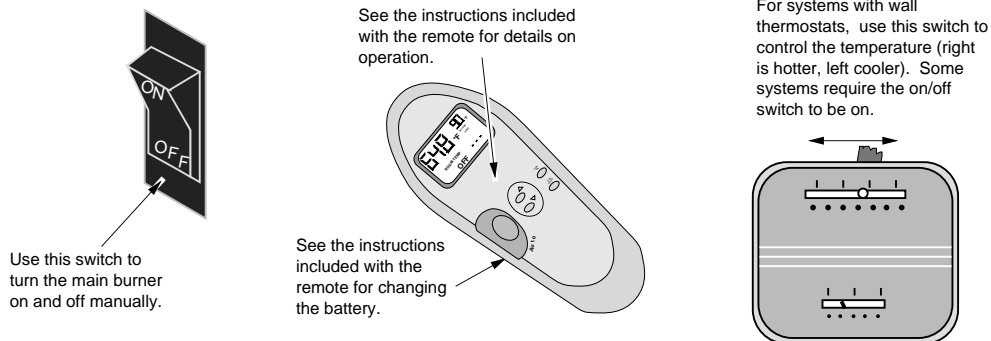


Starting the Fireplace for the First Time

- + Burn the heater at a high setting with the blower off for an extended period (up to 48 hours). This will cure the painted surfaces. **Fumes** from the paint curing and oil burning off the steel will occur. This is normal. We recommend opening a window to vent the room.
- + Dust may accumulate inside the convection area of the heater when left idle. Once the heater is re-started, a "smoky" smell may be created (similar to a baseboard heater when it is re-started).
- + **Condensation** may appear on the glass each time you start the fireplace - this is normal.
- + **Blue Flames** will occur on the fireplace when it first comes on. After fifteen minutes the flames will turn a more realistic yellow and orange color.
- ? Certain installations use a remote "wall switch" to turn the fireplace on and off. If this is the case, leave the ON/OFF switch "ON".

Turning the Fireplace On and Off

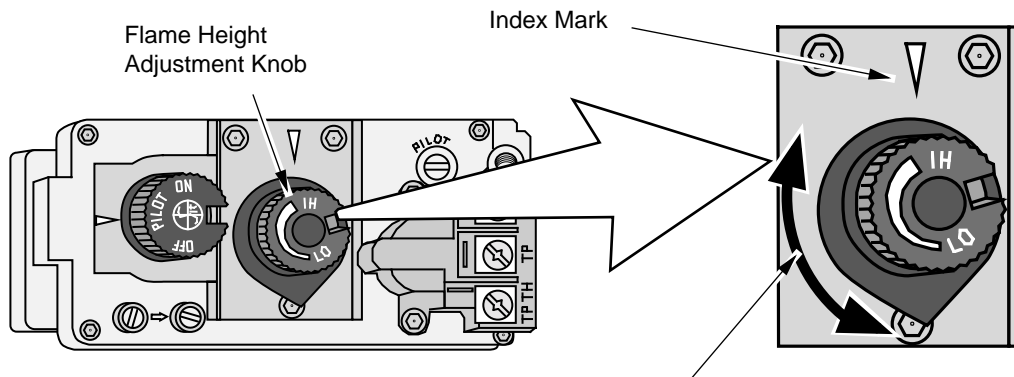
After the pilot has been started...



- ! Do not place any combustible items on top of or directly in front of the fireplace, even temporarily. The optional thermostat may start the fireplace causing a combustible item to ignite.
- ? If the fireplace turns on and off frequently while using the thermostat, you may want to adjust the flame height down until it produces just enough heat needed.

Adjusting the Flame Height

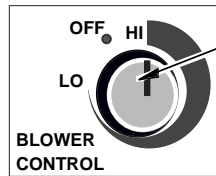
- + Your fireplace has an adjustable flame to tailor the look and heat output to your specific needs. It is adjusted by turning the middle dial on the gas control valve.



Turn counter-clockwise to adjust the flame higher, clockwise to lower.

Adjusting the Blower Speed

The internal blower helps transfer the heat from the fireplace into the room. It will not turn on until the fireplace is up to temperature (approximately 10 minutes after starting). See the illustration below for instructions on adjusting the blower speed.



Blower Knob

Turn the knob all the way counter-clockwise to turn the blower off. One click clockwise turns the blower to high speed. Turning the knob clockwise from the high position decreases the speed of the blower.

Optional Power Heat Duct

Allow the fireplace to reach normal operating temperature. Then use the wall-mounted rheostat to operate the blower speed. The blower will automatically shut off after the fireplace cools.

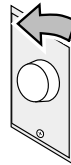
OFF

Turn the dial all the way counter-clockwise until it clicks off.



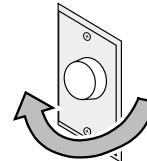
HIGH

The high position is all the way counter-clockwise, **without** clicking off.

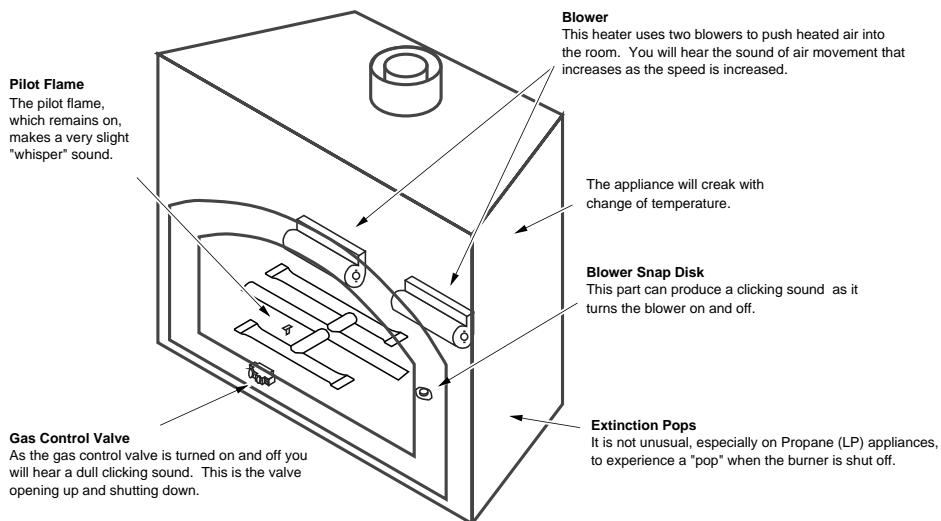


LOW

Turn the dial all the way clockwise.



Normal Operating Sounds



Normal Operating Odors

This appliance has several areas that reach high temperatures. Dust or other particles on these areas may burn and create an odor. This is normal during start-up. You may notice the smell is more acute if the appliance was left idle for a long period.

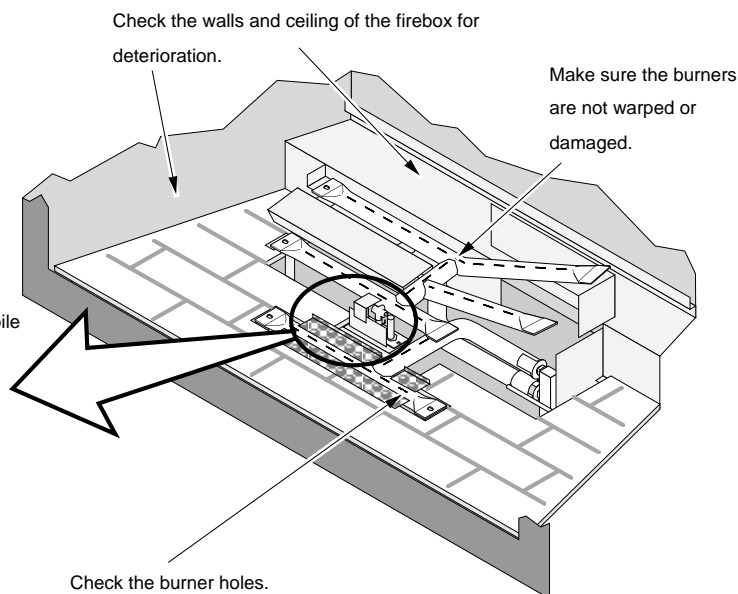
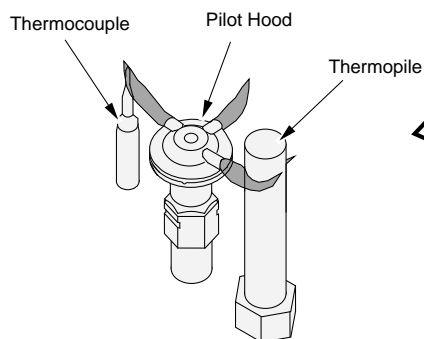
Maintaining Your Fireplace's Appearance

- ! Fingerprints or other marks left on the optional gold surface may become etched in place if they are not wiped clean prior to turning the heater on. Clean gold with denatured alcohol and a soft cloth (make sure the fireplace is cool). Other cleaners may leave a film that may become etched into the gold.
- Clean the glass with soap and water (do not use abrasive cleaners). To remove the glass, follow the instructions on page 27.

Yearly Service Procedure

- ! Failure to inspect and maintain the fireplace may lead to improper combustion and a potentially dangerous situation. The following procedures must be done by a qualified technician.
- 1 Check the pilot flame. It should touch approximately 3/8" of the top of the thermopile and touch the top of the thermocouple (see illustration below). If it does not, contact your dealer for service.
- 2 Shut off gas to the fireplace by turning the gas control knob to "OFF" (see step A under "Starting the Pilot" on page 37). Let the fireplace cool for 15 minutes. Remove the faceplate (see instructions included with face) and glass (see page 27).
- 3 Remove the log set (**NOTE: the logs are very fragile** - see page 28). If severely deteriorated, replace. Check the logs for sooting. A small amount of soot along the bottom of the logs is normal. If excessive sooting is found, the fireplace will require adjustment. Contact your dealer.
- 4 Clean the burner tube (especially the burner holes) and inspect the following:
 - Check the burner for cracked holes, warpage, or corrosion.
 - Check the firebox and area around the pilot to make sure there is no warping or damage.
 - If any problem is found, discontinue use and contact your dealer for service.

Before Disassembly: Check the pilot flame. It should touch the thermopile and thermocouple.



- 5 Replace the log set. Replace the glass (if the glass is damaged, replace it). Make sure the gasket along the perimeter of the glass contacts the face of the firebox and forms an air-tight seal. If it does not, re-align or replace the gasket to insure an air-tight seal. Replace the faceplate.
- 6 Inspect the area behind the access door. Clean if necessary. Check the gas control valve and the gas lines. If any damage is found, discontinue use and contact your dealer for service. Clean the air channels and ducts.
- 7 Start the pilot and turn on the main burner. The flames should be orange/yellow and not touch the top of the firebox. If the pilot or main burners do not burn correctly, contact your dealer for service. Monitor the blower operation.
- 8 Inspect the glass. If damage is found, replace the glass (with frame) with Travis Industries glass assembly (glass installation is on page 27).
- 9 Remove any debris or vegetation near the vent termination. Contact your dealer if any sooting or deterioration is found near the vent termination.
- 10 Inspect the vent sections. If any sections are disconnected or require replacement, make sure to seal both inner and outer sections of pipe and secure the sections together with three sheet metal screws.

Troubleshooting Table

Problem:	Possible Cause:	Don't Call for Service Until You:
Pilot Will Not Light	A gas shut off valve is turned off	Check all gas shut off valves
	The gas control knob isn't turned to "PILOT"	See "Starting the Pilot Light" Step C
	The valve control knob isn't pushed in	See "Starting the Pilot Light" Step C
	The igniter wasn't pressed repeatedly	See "Starting the Pilot Light" Step C
	No Propane in Tank	Check Tank Level
Main Burners Will Not Start	The pilot light has gone out	See "Starting the Pilot Light"
	The gas control valve is turned to "PILOT" or "OFF"	See "Starting the Pilot Light"
	The ON/OFF switch is turned to "OFF"	Turn the ON/OFF switch to "ON"
	The remote control is not working correctly	See the remote control instructions
	The thermostat is disconnected or set too low	See "Thermostat Operation"
Remote Control Does Not Work	The pilot light has gone out	See "Starting the Pilot Light"
	The gas control valve is turned to "PILOT" or "OFF"	See "Starting the Pilot Light"
	The ON/OFF switch is turned to "OFF"	Turn the ON/OFF switch to "ON"
	The remote is too far away from the fireplace	Use the remote closer to the fireplace
	The remote control receiver is turned "Off"	See the remote control instructions
	One of the two remote control batteries is dead	See the remote control instructions
Thermostat Does Not Work	The pilot light has gone out	See "Starting the Pilot Light"
	The gas control valve is turned to "PILOT" or "OFF"	See "Starting the Pilot Light"
	The ON/OFF switch is turned to "OFF"	Turn the ON/OFF switch to "ON"
	The thermostat is set too low	See "Thermostat Operation"
Fireplace Will Not Distribute Heat	The fireplace is not getting electricity	Check the breaker switch
	The fireplace is not up to temperature	See "Operating Your Fireplace"
Pilot Goes Out Once A Month Or More	The gas supply has been shut off	Keep the gas supply turned on
Flames Are Too Blue	The fireplace has just been started	This is normal - see "Starting the Fireplace for the First Time"
	Improper air shutter adjustment	Adjust Air Shutter - contact your dealer
Flames Are Too Short (Under 6")	The flame height may be turned too low	Turn the flame height to "HI" - See "Adjusting the Flame Height"
Thin Layer of Soot Covers the Glass	The logs or coals are placed incorrectly	See "Log Set Installation & Removal"
	Improper air shutter adjustment	Adjust Air Shutter - contact your dealer

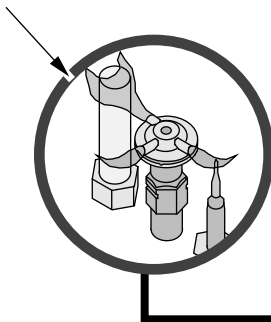
How this Fireplace Works

- ! This fireplace was designed with safety as the primary concern. Many of the components inside this fireplace are for safety purposes. Therefore, only certified gas service technicians should service this fireplace.

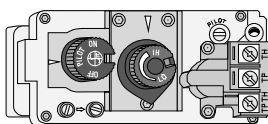
What Turns the Main Burners On and Off

This fireplace uses a millivolt system to control its operation (a millivolt is a very small amount of electricity). The thermopile and thermocouple generate electricity when heated by the pilot flame. This electricity is used to operate the gas valve. Without enough electricity, the gas valve will not turn on. That is why when starting the pilot the gas control knob has to be pressed in long enough for the thermocouple to heat up and generate enough electricity. The thermopile provides power for the ON/OFF switch, remote control, or thermostat (see the illustration below). Because the thermopile generates the electricity needed to turn the fireplace on and off, this fireplace can be operated when the power is out (although the blower will not run).

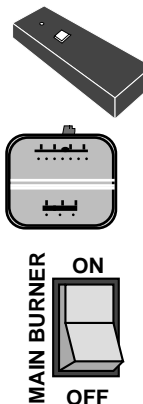
When heated, the thermopile generates electricity (a very small amount measured in "Millivolts").



This electricity is used to operate the main burners.



The main burners are switched on and off using the electricity generated by the thermopile. The ON/OFF switch, remote control, or thermostat control the circuit to the main burner.

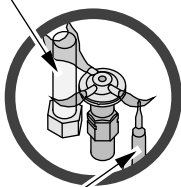


What Prevents Gas Buildup

- + This appliance utilizes a high-technology gas valve in conjunction with a pilot flame to ensure no gas builds up inside the firebox.
- + The thermocouple (next to the pilot) senses when the pilot flame is lit. If the pilot flame goes out, this thermocouple no longer generates electricity, causing the gas valve to automatically shut off all gas to the heater, preventing the pilot from spilling gas into the firebox.

Pilot Flame

The pilot flame is a time-proven component that eliminates the possibility of gas buildup inside the firebox.

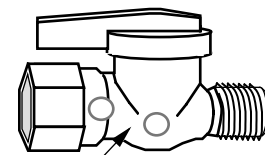
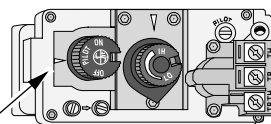


Thermocouple

The thermocouple generates a small amount of electricity. If the pilot flame goes out, the gas valve automatically shuts off all gas.

Gas Valve

This high-technology valve automatically shuts off all gas if it does not receive a signal from the thermocouple. If any component is damaged or sensing a malfunction, or if the wiring is damaged, it will shut off all gas.

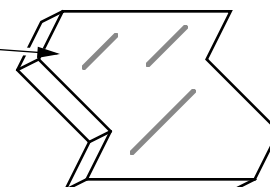


External Shut Off Valve

This valve is placed on the gas line to shut off gas to the appliance during maintenance procedures.

Ceramic Glass

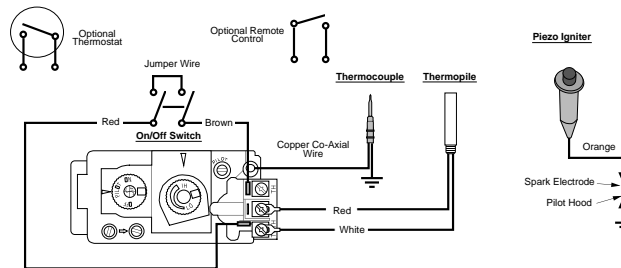
The glass in your heater is the most durable glass available. It has been tested to be extremely resistant to breakage from temperature changes.



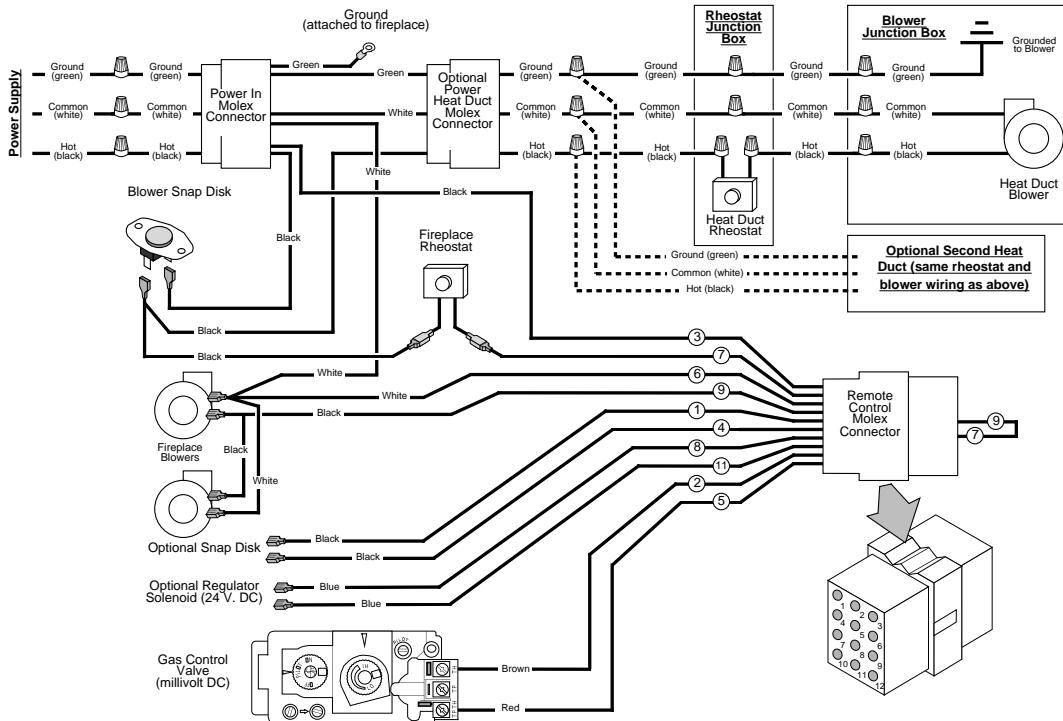
Wiring Diagram

Caution: Label all wires prior to disconnection when servicing controls. Wiring errors can cause improper and dangerous operation.

Millivolt Wiring (for gas control valve)



120 Volt Wiring



Replacement Parts List

Caution: Use only Travis Industries replacement parts. Do not use substitute materials.

Baffle	93006095	Log, Right Twig	93006057
Blower Convection, Mounting Grommets	93005017	Operating Instruction Plate	98900718
Blower Mounting Bracket, Left	93006082	Orifice, Gas, #29	93006012
Blower Mounting Bracket, Right	93006083	Orifice, Gas, #45	93006013
Blower, Convection	93006081	Orifice, Gas, #64	93006014
Brick Floor Plate	93006072	Orifice, Gas, .0625,	98900717
Burner Tube, Front	93006015	Orifice, Pilot, .016	91001506
Burner Tube, Main	93006016	Orifice, Pilot, .021	91001505
Control Valve, Gas, DV, LP		Piezo Igniter	98900751
Control Valve, Gas, DV, NG		Pilot Assembly, LP	93006021
Conversion Parts, LP		Pilot Assembly, NG	93006020
Conversion Parts, NG		Pilot Tube	91001508
Ember Coals (Kibbles)	99300114	Regulator, LP	
Embers, Glowing Shredded Metal	93006052	Regulator, NG	
Embers, Rock Wool Fiber	93006053	Rheostat, Blower w/ Off Position	98900758
Glass Assembly with Frame	63006046	Snap Disk, 120 Degree - 2 Prong	98900720
Knob, for Rheostat, Convection Blower	99300657	Switch, On/Off, Small	98900747
Latch Tool for Glass Frame Spring Latches	93006041	Template, Installation (Set-up Face)	98500695
Log, Back	93006054	Thermocouple, Gas	98900748
Log, Front	93006056	Thermopile	98900752
Log, Left Side	93006055	Wiring Harness	
Log, Left Twig	93006058	Wiring Harness, Gas, External Power	91001516

The safety (listing) label is on a plate chained to the gas control valve. A copy of the safety label is shown below.

Travis Industries
 10950 117th Pl. N.E. Kirkland, WA 98033
 IGN

Model No. 403205
Output: 40,000 BTU/hr
Input: 44,080 BTU/hr

Fireplace Xtrordinair 44DXXXL
Vented Gas Fireplace Heater (Direct Vent)

Rated and certified by QM&L Inc., Laramie, WY. In the combustion performance and construction requirements of ANSI Z21.47-2000, applicable sections of UL 828, and CAN/CSA 2.17-00. Listed by Intertek Testing Services, Inc. in the U.S.A. (UL File # E141499) and in Canada (CSA File # 2706). In Canada, CSA 2706-04 and Gas-Fired Residential Heaters and Boilers. This listing is only for use with the type of gas indicated on the rating plate and must be installed in an approved, permanently installed, manufactured or mobile home. The gas control valve is not convertible for use with other gases, unless a certified kit used. The appliance uses a multi-stage control system consisting of a gas control valve, a standing pilot burner assembly, a pilot igniter, and the OMF® safety. THIS UNIT DOES NOT REQUIRE 110 VOLT POWER TO OPERATE. An external gas valve must be vented outside the structure of the fireplace. Combustion air is drawn from outside the fireplace structure. The 44 DV is designed to operate on natural gas, or propane (LPG). The appliance is factory set for use with Natural Gas. For conversion to Propane (LPG) see factory supplied kit. See owner's manual for information on making these changes.

WARNINGS:
 Improper installation, adjustment, alteration, service or maintenance can cause injury or property damage. Refer to the information in the owner's and installation manual provided with this appliance. For assistance or additional information consult a qualified installer, service agency or the gas supplier.
 Installation and repair should be performed by a qualified service person. The appliance should be inspected before use and at least annually by a qualified service person. More frequent cleaning may be required where excessive lint from material film spraying and loading is present. The control compartment, the burner compartment and all cranking of passageway of the appliance must be kept clear and clean at all times.
 Due to high temperatures, the appliance should be located out of traffic and away from furniture and draperies.
 The vented gas fireplace heater is not for use with oil burners.
 Operation of this appliance when not connected to a properly installed and maintained venting system can result in carbon monoxide (CO) poisoning and possible death. Children and adults should be alerted to the hazards of high surface temperatures and should stay away to avoid flash burns or clothing ignition. Young children should be closely supervised at all times when they are in the same room as the appliance.

This appliance is a Vented Gas Fireplace Heater. Not for use with Solid Fuel.

CAUTION: Hot while in operation. Do not touch. Keep children, clothing, furniture, drapes and other flammable materials away.
 Do not operate this appliance with glass mirrors, candles or lanterns. Replacement of the pilot should be done by a licensed or qualified service person.
 A flammable gas or liquid leak could occur during normal operation. If a gas or liquid leak is detected, immediately shut off the gas supply to the appliance.
 Cables and wires should be protected from damage. Do not use the appliance if the burner orifice is damaged or clogged.
 Risk of electrical shock. Strip the burner orifice of or remove flame before servicing unit.
 Use Simpson DURAVENT direct vent system (Model 65) to vent the appliance to the exterior (direct discharge only without duct connection).

Minimum Clearances to Combustibles		FAN TYPE VENTED CIRCULATOR																															
Facilities to Adjacent Wall	3-1/2" (90mm)	Steady State Efficiency	Up to 74% (NG) 76% (LP)																														
Wood Floor Beneath Fireplace	0" (0mm)	Output Capacity Rating	Up to 42,920 44,080 (blowers on)																														
Back to enclosure	1" (25mm)																																
Top to enclosure (from stand-off)	0" (0mm)																																
* See Owner's Manual For Additional Mantel Clearances and Options.																																	
Hearth Extension in Front - 12" 0" (0mm) if Fireplace Raised 3" (75mm)		LP, N.G.																															
Slides to enclosure		1" (25mm)																															
Facilities to Mantel		2 1/2" (63mm)																															
Flue Vent		See Owner's Manual																															
<table border="1"> <thead> <tr> <th>Input Rate on "H" (BTU/Hr)</th> <th>LP</th> <th>N.G.</th> <th>LP</th> <th>N.G.</th> </tr> </thead> <tbody> <tr> <td>58,000</td> <td>58,000</td> <td>58,000</td> <td>11.5"</td> <td>5.5"</td> </tr> <tr> <td>30,000</td> <td>30,000</td> <td>30,000</td> <td>13"</td> <td>7"</td> </tr> <tr> <td>42,920</td> <td>44,080</td> <td>44,080</td> <td>11"</td> <td>3.5"</td> </tr> <tr> <td>445</td> <td>#29</td> <td>Mantle Pressure on "H" (inches W.C.)</td> <td>1"</td> <td>1"</td> </tr> <tr> <td>664</td> <td>#625</td> <td>Mantle Pressure on "L" (inches W.C.)</td> <td>2.7"</td> <td>1"</td> </tr> </tbody> </table>				Input Rate on "H" (BTU/Hr)	LP	N.G.	LP	N.G.	58,000	58,000	58,000	11.5"	5.5"	30,000	30,000	30,000	13"	7"	42,920	44,080	44,080	11"	3.5"	445	#29	Mantle Pressure on "H" (inches W.C.)	1"	1"	664	#625	Mantle Pressure on "L" (inches W.C.)	2.7"	1"
Input Rate on "H" (BTU/Hr)	LP	N.G.	LP	N.G.																													
58,000	58,000	58,000	11.5"	5.5"																													
30,000	30,000	30,000	13"	7"																													
42,920	44,080	44,080	11"	3.5"																													
445	#29	Mantle Pressure on "H" (inches W.C.)	1"	1"																													
664	#625	Mantle Pressure on "L" (inches W.C.)	2.7"	1"																													
This appliance is equipped for installation in Canada at 0-4500 ft. (0-1370 m); in USA, 0-2000 ft. (0-610 m). In USA, for altitudes above 2,000 feet, the vent configuration, orifice, or combination of both may need to be changed. See the owner's manual for information on making these changes.																																	

To register your TRAVIS INDUSTRIES, INC. 7 Year Warranty, complete the enclosed warranty card and mail it within **ten (10)** days of the appliance purchase date to: TRAVIS INDUSTRIES, INC., 10850 117th Place N.E., Kirkland, Washington 98033. TRAVIS INDUSTRIES, INC. warrants this gas appliance (appliance is defined as the equipment manufactured by Travis Industries, Inc.) to be defect-free in material and workmanship to the original purchaser from the date of purchase as follows:

Years 1 & 2 - COVERAGE: PARTS & LABOR

Burner Assembly:

Burner, Burner Pan, Air Shutter Assembly, Main Burner Orifice

Firebox Assembly:

Adjustable Air Restrictor, Pressure Relief Mechanisms, Barometric Control Mechanism (for models with Remote Heat Ducts), Glass Attachment Mechanism

Electrical Assembly (within heater structure):

Blower, wiring harness, snap discs, rheostat speed control

Gold & Nickel Plating

Face & Door (see "Conditions and Exclusions" # 9)

Gas Control Assembly

Adjustable control valve, millivolt wiring and connectors (located within the metal heater structure), thermopile, thermocouple, pilot hood, orifices, pilot gas line, piezo ignitor

Ceramic Glass

Glass (breakage from thermal shock)

Ceramic Logs

Log Set, Coals, Ember Strip (Steel Fiber)

Accessories

Cast Brick, Cast Firebacks, Power Heat Ducts, Andirons

Convection Heat Exchanger

Re-Installation Allowance

In cases where heater must be removed from home for repairs, a partial cost of re-installation is covered (pre-authorization required)

One-Way Freight Allowance

One-way freight allowance on pre-authorized repair done at factory is covered.

Exclusions: Paint, Gasketing

Years 3 THROUGH 5 - COVERAGE: PARTS & LABOR

Burner Assembly:

Burner, Burner Pan, Air Shutter Assembly, Main Burner Orifice

Convection Heat Exchanger

Firebox Assembly:

Adjustable Air Restrictor, Pressure Relief Mechanisms, Barometric Control Mechanism (for models with Remote Heat Ducts), Glass Attachment Mechanism

One-Way Freight Allowance

One-way freight allowance on pre-authorized repair done at factory is covered.

Exclusions: Paint, Gasketing, Electrical Assembly, Gas Control Assembly, Ceramic Glass, Ceramic Logs, Gold & Nickel Plating, Accessories, Re-Installation Allowance

Years 6 & 7 - COVERAGE: PARTS ONLY

Burner Assembly:

Burner Tubes, Burner Pan, Air Shutter Assembly, Main Burner Orifice

Exclusions: Paint, Gasketing, Electrical Assembly, Gas Control Assembly, Ceramic Glass, Ceramic Logs, Gold & Nickel Plating, Accessories, Convection Heat Exchanger, Re-Installation Allowance, One-Way Freight Allowance, Labor

Firebox Assembly:

Adjustable Air Restrictor, Pressure Relief Mechanisms, Barometric Control Mechanism (for models with Remote Heat Ducts), Glass Attachment Mechanism

CONDITIONS & EXCLUSIONS

1. This new gas appliance must be installed by a qualified gas appliance technician. It must be installed, operated, and maintained at all times in accordance with the instructions in the Owner's Manual. Any alteration, willful abuse, accident, neglect, or misuse of the product shall nullify this warranty.
2. This warranty is nontransferable, and is made to the ORIGINAL purchaser, provided that the purchase was made through an authorized TRAVIS dealer.
3. Discoloration and some minor expansion, contraction, or movement of certain parts and resulting noise, is normal and not a defect and, therefore, not covered under warranty. The installer must ensure the appliance is burning as per the rating tag at the time of installation. Over-firing (operation above the listed BTU rate) of this appliance can cause serious damage and will nullify this warranty.
4. The warranty, as outlined within this document, does not apply to the chimney components or other Non-Travis accessories used in conjunction with the installation of this product. If in doubt as to the extent of this warranty, contact your authorized TRAVIS retailer before installation.
5. Travis Industries will not be responsible for inadequate performance caused by environmental conditions such as nearby trees, buildings, roof tops, wind, hills or mountains or negative pressure or other influences from mechanical systems such as furnaces, fans, clothes dryers, etc.
6. This Warranty is void if:
 - a. The unit has been operated in atmospheres contaminated by chlorine, fluorine or other damaging chemicals.
 - b. The unit is subject to submersion in water or prolonged periods of dampness or condensation.
 - c. Any damage to the unit, combustion chamber, heat exchanger or other components due to water, or weather damage which is the result of, but not limited to, improper chimney/venting installation.
7. Exclusions to this 7 Year Warranty include: injury, loss of use, damage, failure to function due to accident, negligence, misuse, improper installation, alteration or adjustment of the manufacturer's settings of components, lack of proper and regular maintenance, damage incurred while the appliance is in transit, alteration, or act of God.
8. This 7 Year warranty excludes damage caused by normal wear and tear, such as paint discoloration or chipping, worn or torn gasketing, corroded or cracked logs, embers, etc. Also excluded is damage to the unit caused by abuse, improper installation, modification of the unit, drilling of the orifices, or the use of fuel other than that for which the unit is configured. Units are shipped for natural gas and must be converted to propane using the included conversion kit. Confirm fuel configuration with your installer.
9. Damage to gold or nickel surfaces caused by fingerprints, scratches, melted items, or other external sources left on the gold or nickel from the use of cleaners other than denatured alcohol is not covered in this warranty.
10. TRAVIS INDUSTRIES, INC. is free of liability for any damages caused by the appliance, as well as inconvenience expenses and materials. Incidental or consequential damages are not covered by this warranty. In some states, the exclusion of incidental or consequential damage may not apply.
11. This warranty does not cover any loss or damage incurred by the use or removal of any component or apparatus to or from the gas appliance without the express written permission of TRAVIS INDUSTRIES, INC. and bearing a TRAVIS INDUSTRIES, INC. label of approval.
12. Any statement or representation of TRAVIS products and their performance contained in TRAVIS advertising, packaging literature, or printed material is not part of this 7 year warranty.
13. This warranty is automatically voided if the appliance's serial number has been removed or altered in any way. If the appliance is used for commercial purposes, it is excluded from this warranty.
14. No dealer, distributor, or similar person has the authority to represent or warrant TRAVIS products beyond the terms contained within this warranty. TRAVIS INDUSTRIES, INC. assumes no liability for such warranties or representations.
15. Travis Industries will not cover the cost of the removal or re-installation of hearths, facing, mantels, venting or other components.
16. If for any reason any section of this warranty is declared invalid, the balance of the warranty remains in effect and all other clauses shall remain in effect.
17. THIS 7 YEAR WARRANTY IS THE ONLY WARRANTY SUPPLIED BY TRAVIS INDUSTRIES, INC., THE MANUFACTURER OF THE APPLIANCE. ALL OTHER WARRANTIES, WHETHER EXPRESS OR IMPLIED, ARE HEREBY EXPRESSLY DISCLAIMED AND PURCHASER'S RECOURSE IS EXPRESSLY LIMITED TO THE WARRANTIES SET FORTH HEREIN.

IF WARRANTY SERVICE IS NEEDED:

1. If you discover a problem that you believe is covered by this warranty, you MUST REPORT it to your TRAVIS dealer WITHIN 30 DAYS, giving them proof of purchase, the purchase date, and the model name and serial number.
2. Travis Industries has the option of either repairing or replacing the defective component.
3. If your dealer is unable to repair your appliance's defect, he may process a warranty claim through TRAVIS INDUSTRIES, INC., including the name of the dealership where you purchased the appliance, a copy of your receipt showing the date of the appliance's purchase, and the serial number on your appliance. At that time, you may be asked to ship your appliance, freight charges prepaid, to TRAVIS INDUSTRIES, INC. TRAVIS INDUSTRIES, INC., at its option, will repair or replace, free of charge, your TRAVIS appliance if it is found to be defective in material or workmanship within the time frame stated within this 7 year warranty. TRAVIS INDUSTRIES, INC. will return your appliance, freight charges (years 1 to 5) prepaid by TRAVIS INDUSTRIES, INC., to your regional distributor, or dealership.
4. Check with your dealer in advance for any costs to you, when arranging a warranty call. Dealers may require you to pay a service or trip charges for any warranty work. This charge can vary from store to store.

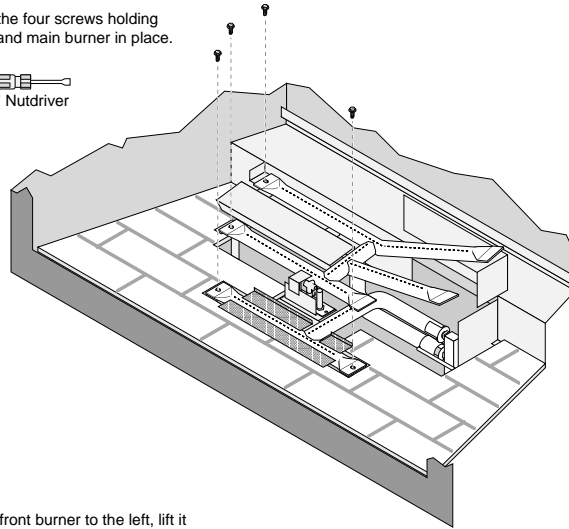
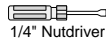
46 Optional Equipment (for qualified installers only)

LP Conversion Instructions

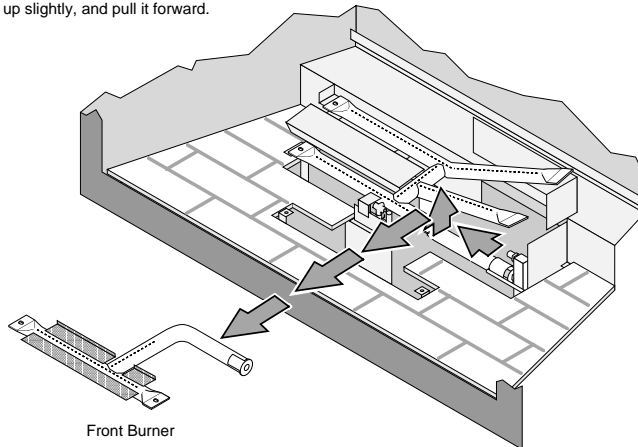
Install the conversion kit prior to installing the gas line to ensure proper gas use.

- 1 Remove the glass (see page 27). Remove the logs and rock wool (if installed - page 28)
- 2 Remove the burner (see illustration to the right).

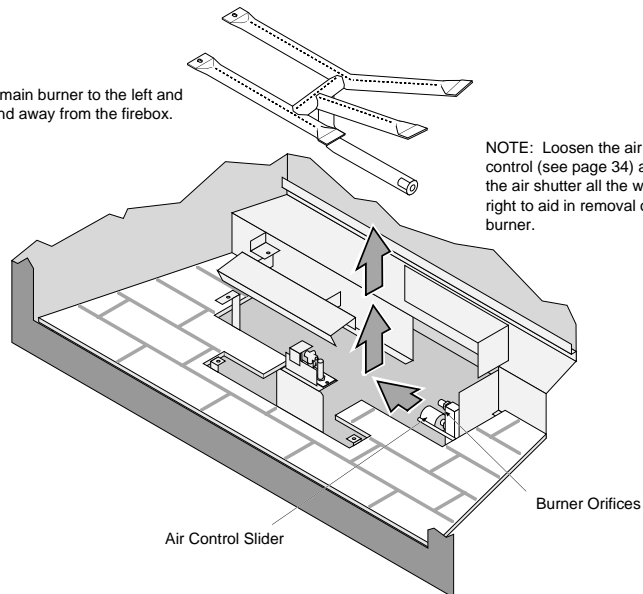
(a) Remove the four screws holding the front and main burner in place.



(b) Slide the front burner to the left, lift it up slightly, and pull it forward.



(c) Slide the main burner to the left and lift it up and away from the firebox.



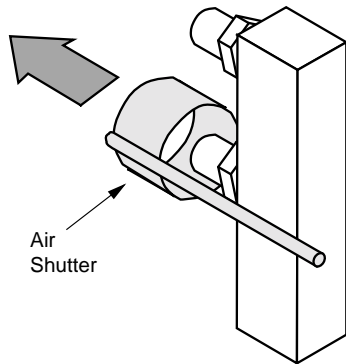
NOTE: Loosen the air shutter control (see page 34) and slide the air shutter all the way to the right to aid in removal of the rear burner.

Optional Equipment (for qualified installers only) 47

- 3 Follow the directions below to remove the natural gas orifices. Apply thread sealant to the LP orifices and tighten them in place with a 1/2" open end wrench (make sure to install the orifices correctly – see the illustration below). Slide the adjustable shutter back in place over the orifice.

(a)

Loosen the air shutter control and move it all the way to the left (see page 34). This will allow for the main (lower) orifice to be removed.

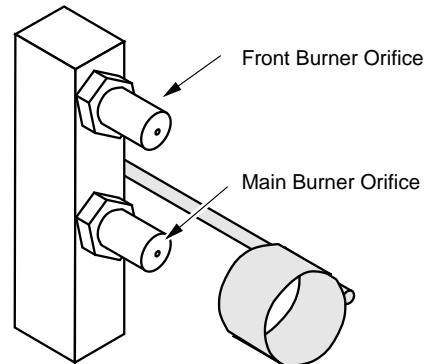


(b)

Use a 1/2" open end wrench to unscrew both orifices.

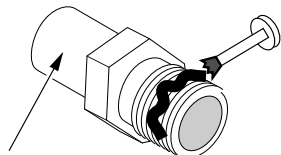


View from the Rear



(c)

Apply thread sealant to the LP orifices prior to installation. Use the chart below to identify the correct orifices.

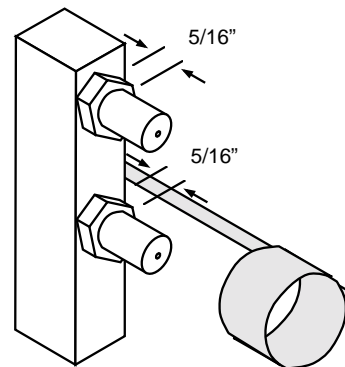


Look here for the orifice identification

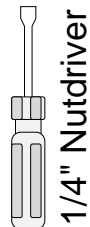
	LP	NG
Front (upper)	#64	.0625
Main (lower)	#45	#29

(d)

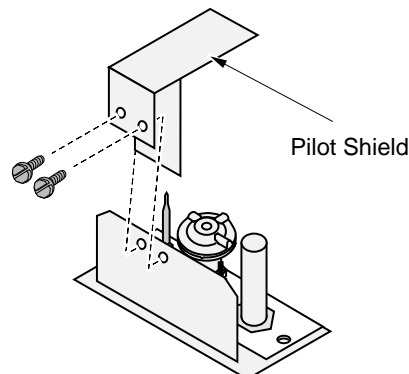
Screw the LP orifice in so the orifice shoulder protrudes 5/16" (indicating full insertion).



- 4 Remove the pilot shield following the directions below.

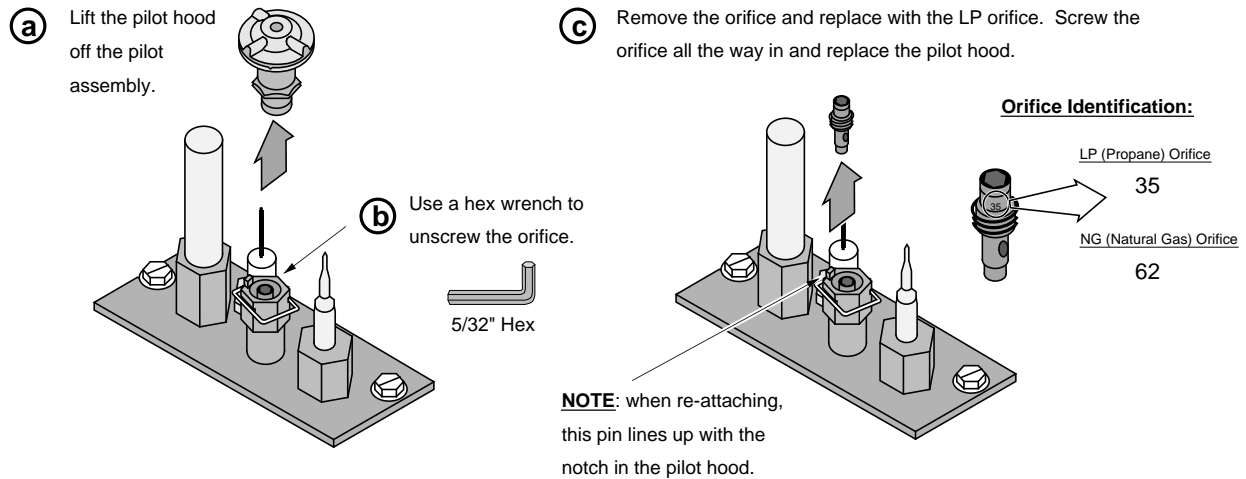


1/4" Nutdriver



48 Optional Equipment (for qualified installers only)

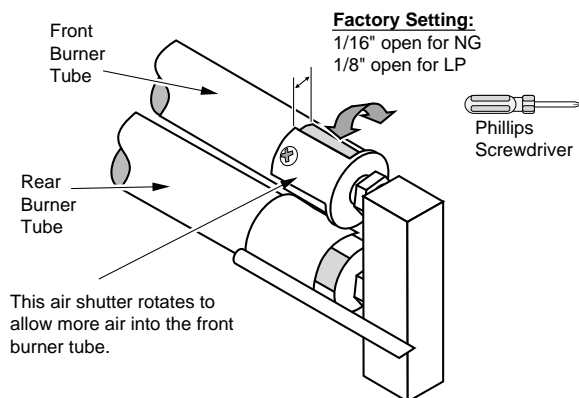
- 5 Remove the pilot orifice following the instructions below. Replace with the propane pilot orifice. The propane conversion kit includes pilot orifice with "35" stamped on it. Replace burner pan.



- 6 Replace the pilot shield (see step "4" above)
- 7 Replace the front and main burner (see step "2" above)
- 8 Adjust the front air shutter to a 1/8" opening.

Adjusting the Front Burner

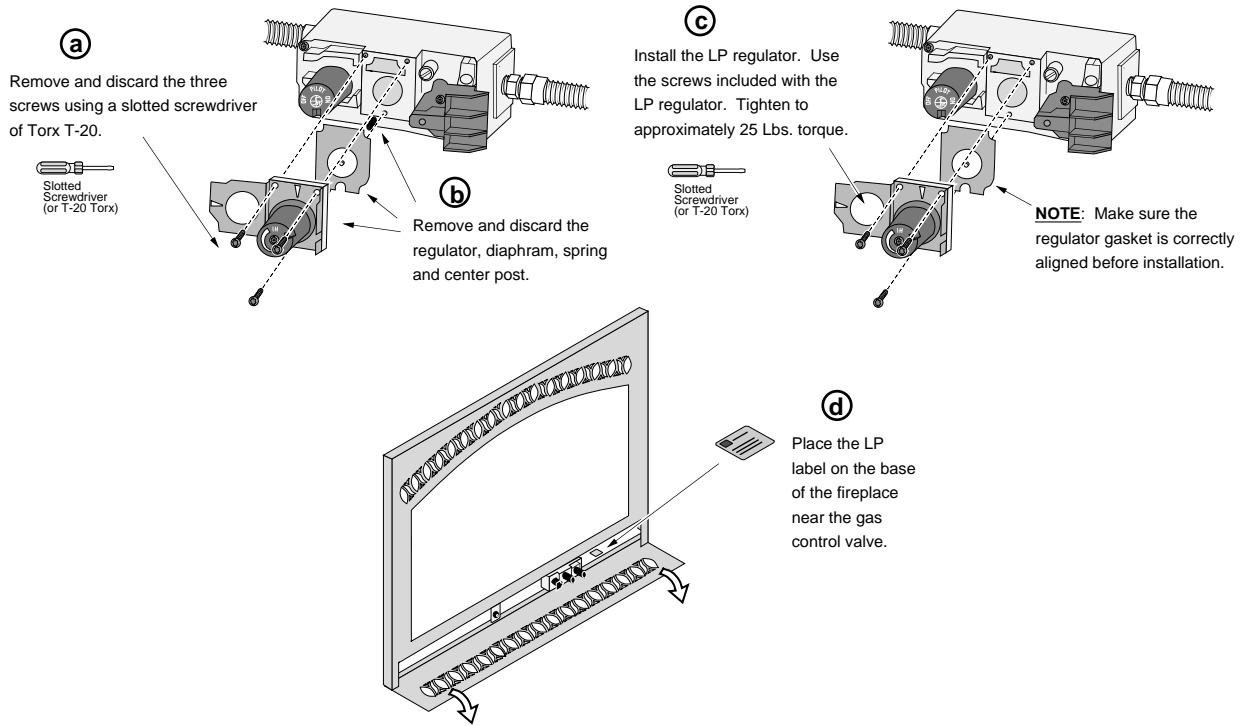
Turn the heater off and let it cool completely. Remove the glass and logs. Locate the front burner air shutter, loosen the lock screw holding the shutter in place, and rotate the air shutter to a more open position. Replace the components and re-evaluate the front burner flame.



- 9 Install the logs and embers.
- 10 Replace glass and face.

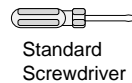
Optional Equipment (for qualified installers only) 49

1 1 Remove the regulator from the front of the gas control valve. Replace with the propane regulator, using the new gasket and screws included with the regulator. **NOTE: Leak test this area after the heater is installed, gas is connected, and the main burner is lit.**

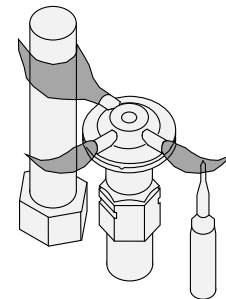
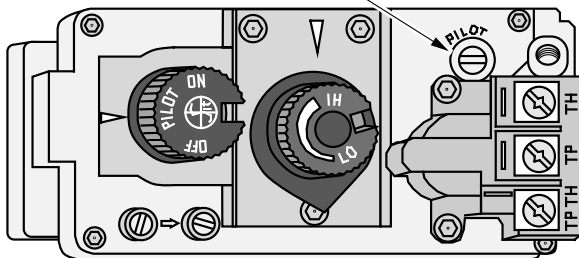


1 2 Make the gas line connection, start the heater and thoroughly leak-test all gas connections and the regulator. Check the pilot. Adjust if necessary.

To adjust the pilot flame, turn this screw (NOTE: if totally unscrewed gas will come out of this port). Clockwise lowers the flame while counter-clockwise raises it.



The pilot flame must contact the thermocouple and thermopile (see the illustration below). Adjust the pilot up or down as necessary.



1 3 Inspect the flames. Adjust the air shutter if necessary (see step 7 on page 34).

50 Optional Equipment (for qualified installers only)

POWER HEAT DUCT (part # 98500769)

The optional heat duct allows the fireplace to transfer heat to separate locations in the home. **One or two ducts may be used.** Installation should take place prior to installing drywall.

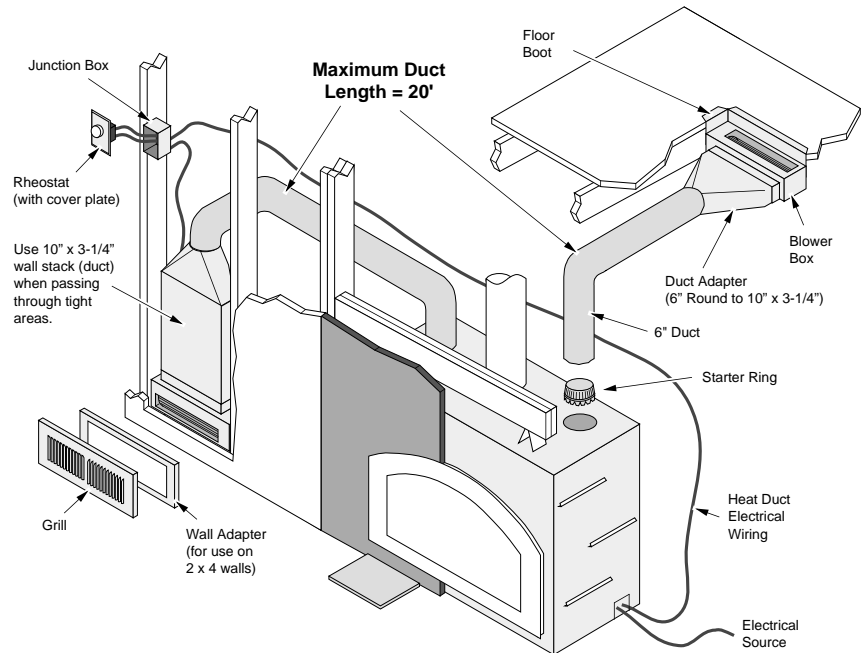
Warning: This kit must be installed as specified in these instructions. Do not modify any component.

Warning: Use of any external blower other than the Travis Power Heat Duct Blower will void the warranty and listing of this appliance and may create a fire hazard.

Note: The power heat duct **must** be installed by a qualified service technician.

Note: Some building codes may require the use of firestop spacers whenever the duct passes from room to room.

Note: When routing ducts through a cold area (e.g. crawl space) we recommend insulating the duct with fiberglass insulation. If paper-backed insulation is used, the paper can not contact the duct.

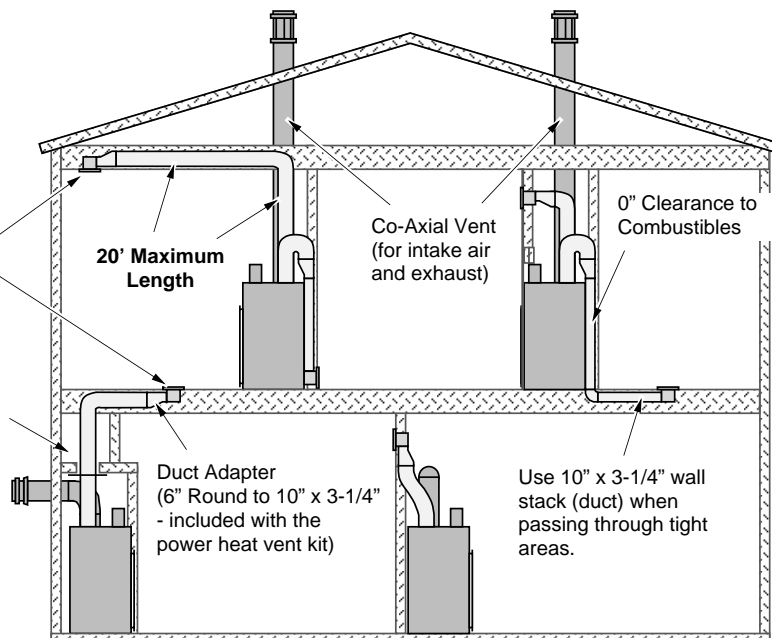
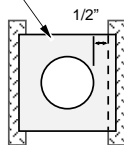


1 Determine the route for the heat duct using the illustration below as a guide.

NOTE:

Air flow through the duct is affected by length and number of bends. Keep the length and number of bends to the minimum to maximize performance.

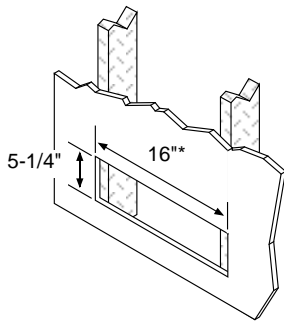
When the duct penetrates the fireplace enclosure vertically and the top of the enclosure is within 36\"/>



2 Attach the blower box to the framing or floorboards of the home following the instructions below.

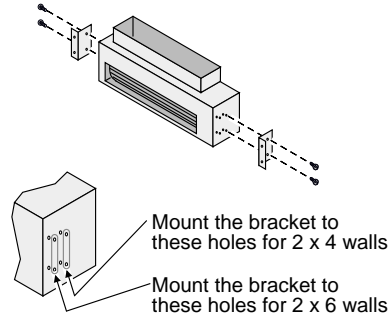
Wall or Ceiling Mounting

a Cut a hole between wall framing members for the blower assembly.

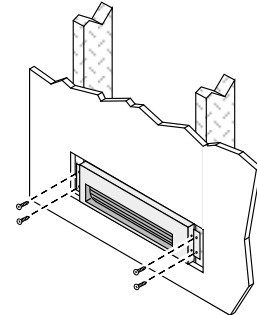


* This blower was designed for framing on 16" centers - construct additional framing if needed.

b Attach the wall mounting brackets to the blower box.

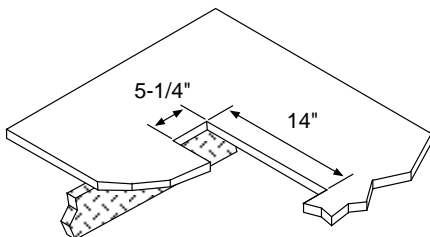


c Slide the blower, with wires, into the hole cut in step "a". Attach with four screws.

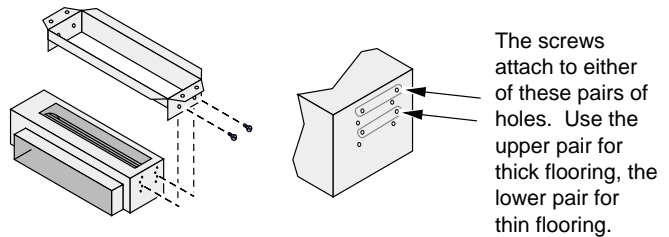


Floor Mounting

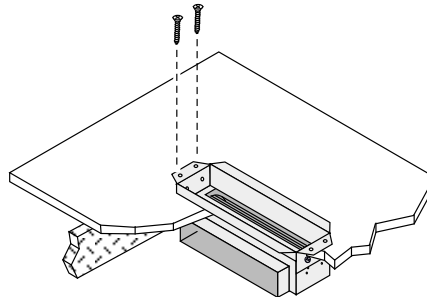
a Cut a hole between floor joists for the blower box.



b Attach the floor boot to the blower box with the included screws.

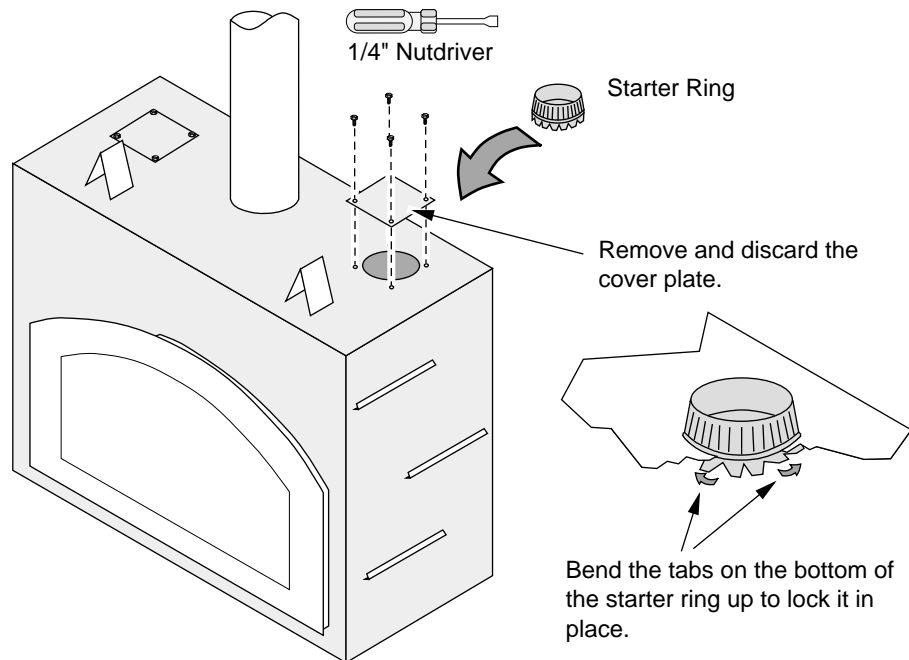


c Slide the blower into the hole cut in step "a". Attach with four screws.



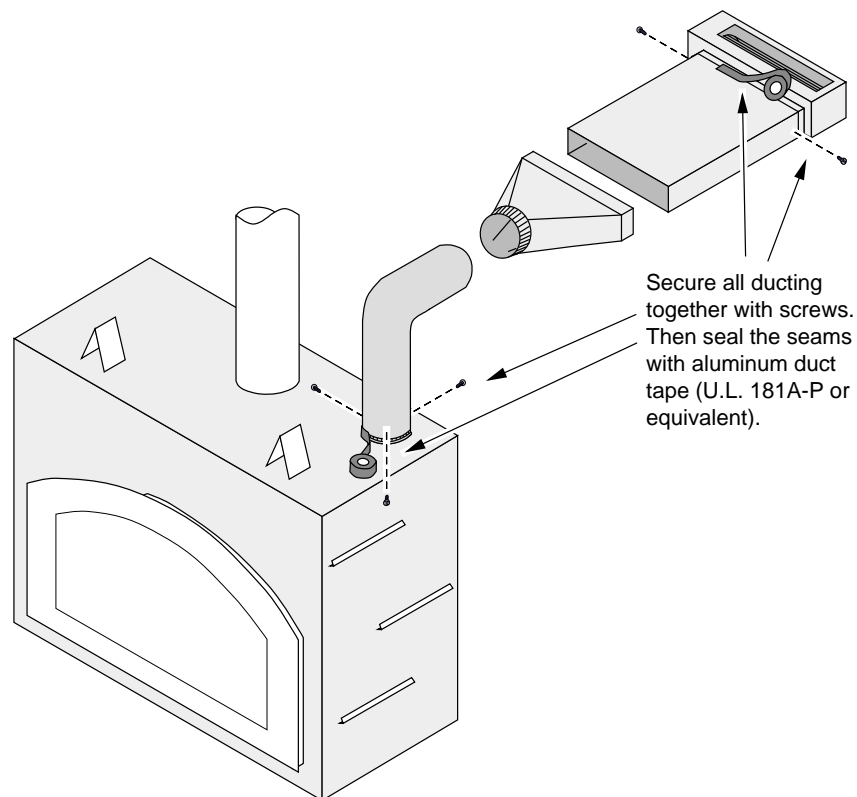
52 Optional Equipment (for qualified installers only)

- 3 Attach the starter ring to the fireplace following the directions below (use the most convenient side).



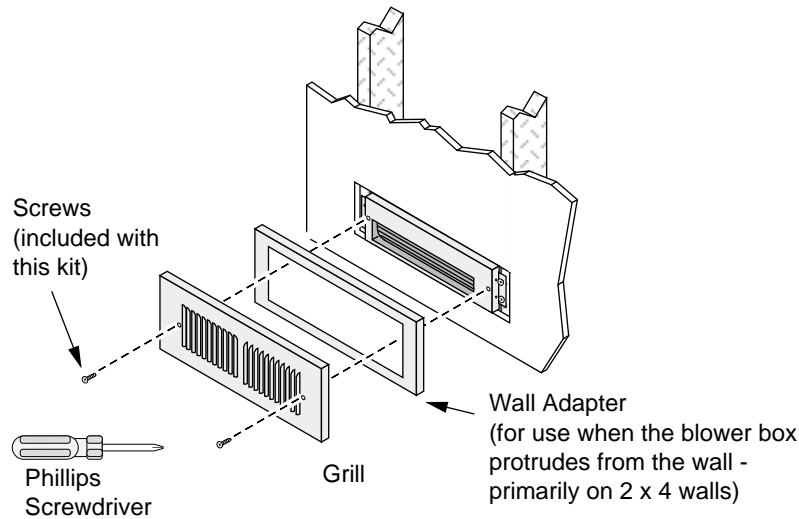
- 4 Install the air duct. Each section, when joined, must be attached with three screws and duct tape (U.L. 181A-P or equivalent). Secure the duct if it is in an area where it may sag or become dislodged.

NOTE: The air duct has a 0" clearance to combustibles.



Optional Equipment (for qualified installers only) 53

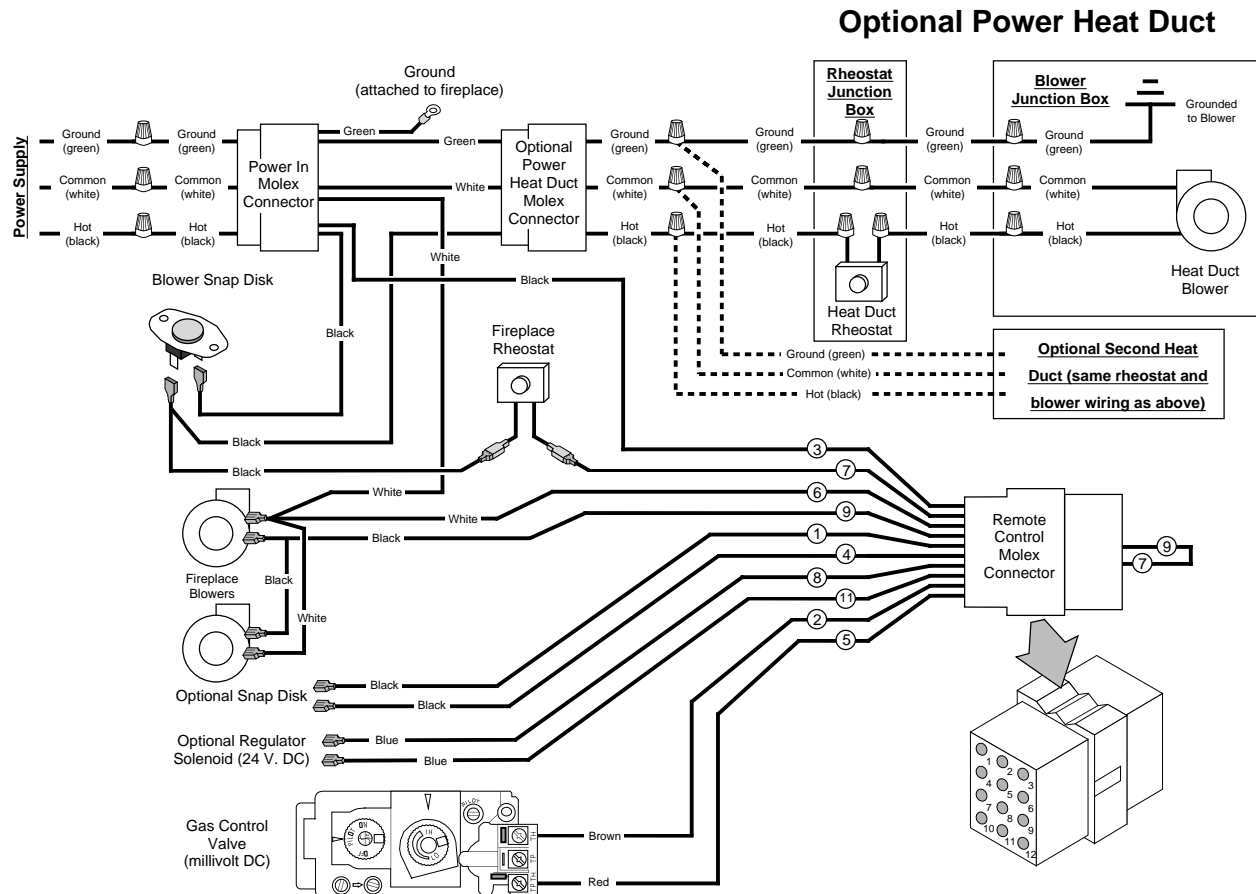
5 Attach the grill (and wall adapter, if necessary).



WIRING DIAGRAM

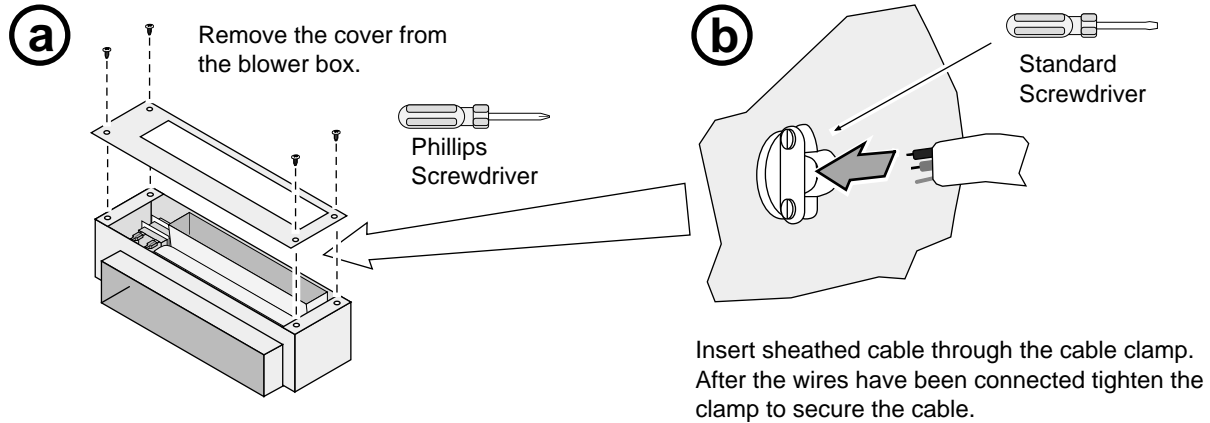
Warning: All wiring should be done by a qualified electrician and shall be in compliance with local codes and with the current National Electric Code ANSI/NFPA 70 (in the U.S.), or with the current CSC22.1 Canadian Electric Code (in Canada).

Warning: Make sure the fireplace electrical circuit is disabled prior to working on electrical hookup.

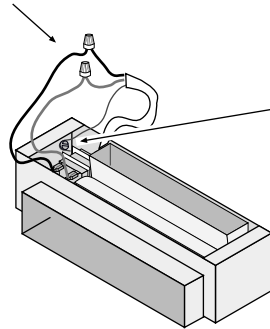


54 Optional Equipment (for qualified installers only)

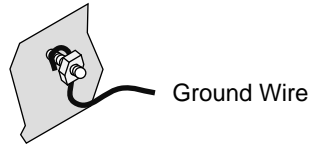
6 Follow the directions below to wire the blower box.



c Attach the hot (black) and common (white) wires to the leads coming from the wires (use wire nuts).

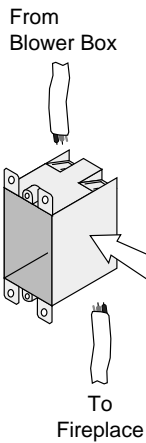


d Secure the ground wire to the ground stud inside the blower box by tightening the included nut over the ground wire. Re-attach the cover removed in step "a".



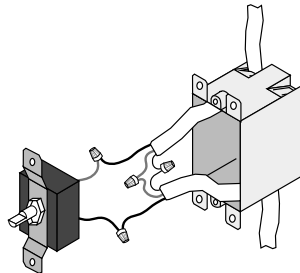
7 Follow the directions below to wire the rheostat. **NOTE:** There are two types of junction boxes, use the appropriate junction box for your installation.

a Force the sheathed cable through one of the locking flaps on the junction box (repeat for the other cable). Some force is needed. The flap will lock the cable in place.

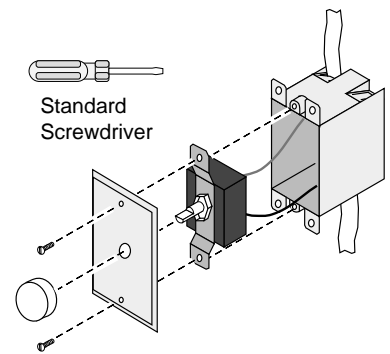


NOTE: Two junction boxes are included - use the best box for your installation.

b Attach the common (white) wires together. Attach the ground (exposed or green) wires together. Then attach each of the hot (black) wires from the cables to the two wires on the rheostat (orientation does not matter). Carefully pack the wires into the junction box.



c Attach the cover plate (either white or beige) with the included screws. Slide the knob (either white or beige) over the rheostat shaft.



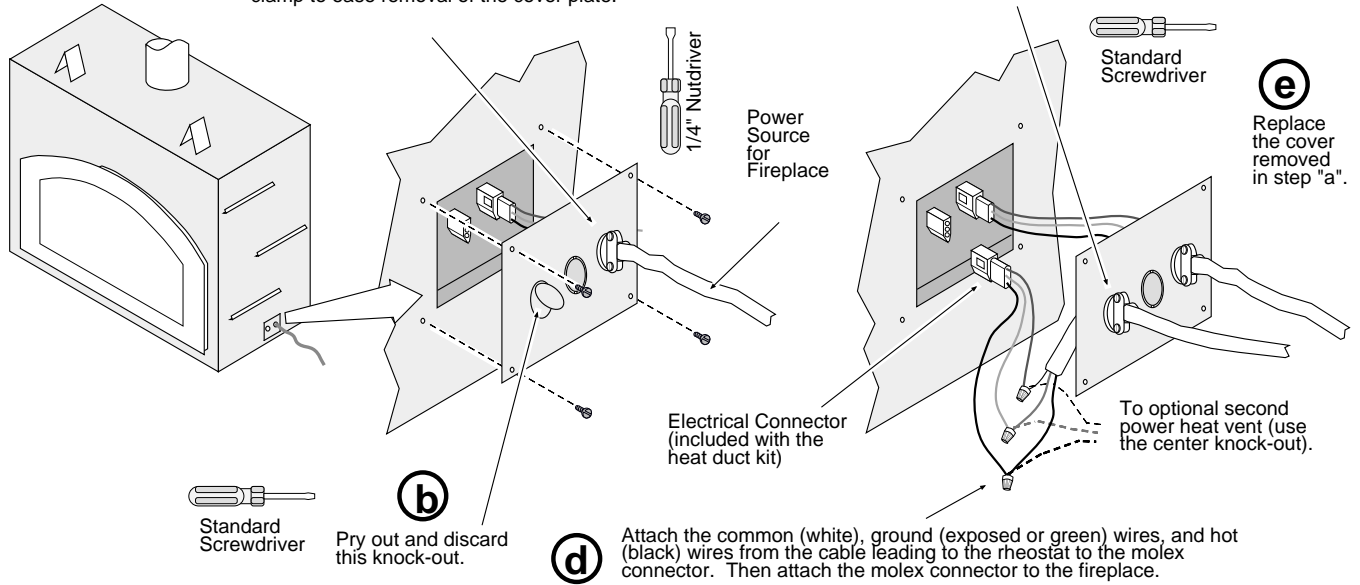
Optional Equipment (for qualified installers only) 55

8 Run the free wire from the rheostat junction box to the fireplace. Follow the directions below to connect the heat duct circuit to the fireplace.

(a) Remove the cover from the fireplace junction box.

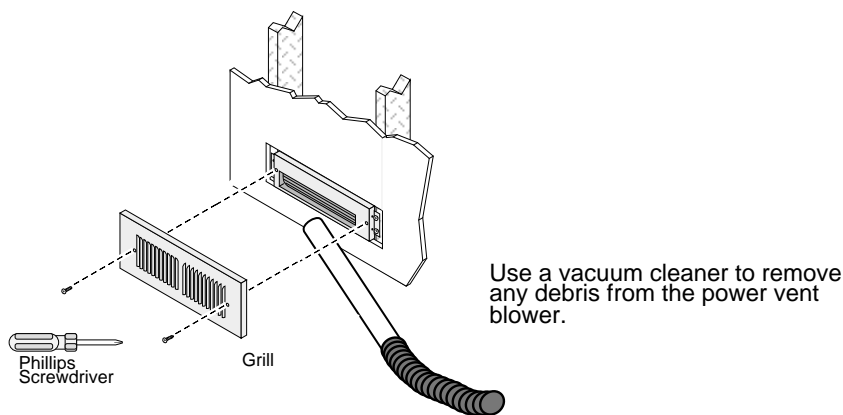
Note: you may need to loosen this cable clamp to ease removal of the cover plate.

(c) Insert the sheathed cable from the rheostat through a cable clamp and push the cable clamp into the knock-out hole to secure it in place. Once the wires are attached, tighten the clamp to secure the cable.



MAINTENANCE INSTRUCTIONS

Once a year the grate should be removed and the blower area cleaned. Use a vacuum to clean around the squirrel-cage blower, being careful not to damage any of the blades.



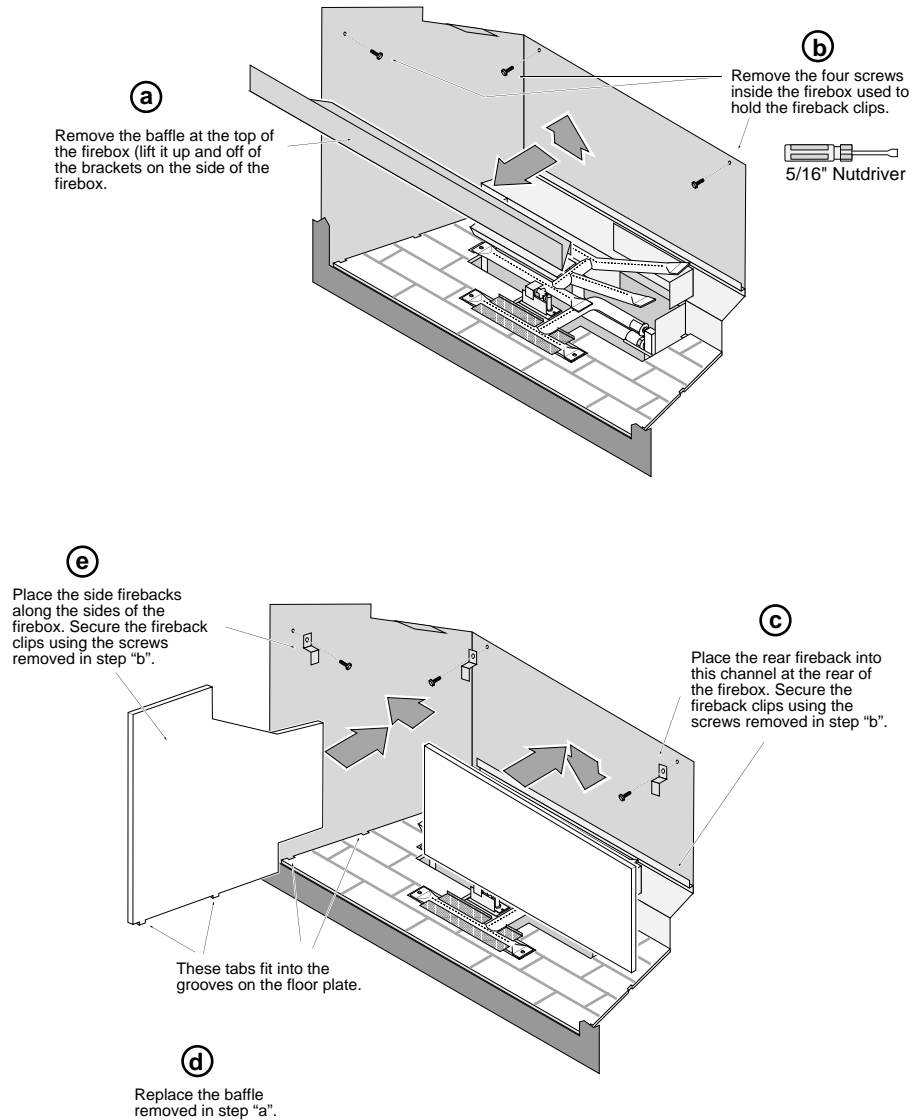
56 Optional Equipment (for qualified installers only)

Decorative Firebacks (Classic # 98500680, Firebrick # 98500681)

Warning: Turn the gas control valve to "OFF" prior to conducting any service.

Warning: Failure to position the parts in accordance with these diagrams or failure to use only parts specifically approved with this appliance may result in property damage or personal injury.

The decorative cast fireback attaches to the walls of the firebox to enhance aesthetics. Before installing, remove the face, glass, logs, and rock wool. The directions below detail installation.



Approved Vent Configurations.....	19	Installation Options	5
Adjusting the Blower Speed.....	39	Items Required for Installation.....	6
Adjusting the Flame Height	38	Leaking Gas	See Inst. on Cover
Air Shutter Adjustment.....	34	Listing Information	44
Altitude Considerations.....	17	Location of Controls.....	36
Blower Control.....	39	Log Set Installation and Removal	28
BTU Input.....	5	Maintenance	40
BTU Output.....	5	Mantel Requirements.....	16
Cap (see vent termination).....	24	Measuring Vent Lengths.....	19
Chimney Cap (see vent termination).....	24	Noise (see Normal Operating Sounds)	39
Chimney Installation (see Vent Requirements)....	17	Normal Operating Sounds.....	39
Clearances.....	8	Packing List.....	6
Condensation on Glass.....	38	Pilot Flame Inspection.....	33
Corner Installation.....	9	Piping Installation (see Gas Line Install).....	25
Dimensions.....	5	Raised Fireplaces	8
Dura-Vent (part numbers).....	17	Remote Control Installation.....	57
Elbows.....	19	Remote Control Operation	57
Electrical Connection.....	26	Restrictor Position	19
Face Dimensions.....	13	Safety Label.....	44
Face Installation.....	35	Safety Precautions	2
Facing Requirements.....	11	Starting The Pilot.....	37
Finalizing the Installation.....	27	Starting the Fireplace for the First Time.....	38
Floor Protection (see "Hearth Requirements")....	10	Thermostat Operation.....	38
Framing Dimensions	7	Turning the Fireplace On and Off.....	38
Fuel.....	25	Vent Length (see "Vent Configuration").....	19
Gas Control Valve (Location).....	36	Vent Part Numbers	19
Gas Inlet Pressure.....	25	Vent Requirements	17
Gas Line Connection	25	Vertical Vent Termination Requirements	24
Gas Line Install.....	25	Warnings.....	2
Gas Smell.....	See Inst. on Cover	Warranty.....	45
Glass Installation and Removal	27	Water on Glass (see Condensation)	38
Hearth Requirements.....	10	Weight (325 Lbs.).....	5
Heating Specifications	5	What Prevents Gas Buildup.....	42
Horizontal Vent Termination Requirements	24	What Turns the Main Burners On and Off.....	42
How this Fireplace Works.....	42	Wiring Diagram.....	43
Vent Lengths.....	19	Yearly Service Procedure.....	40